

REL NO	REV	NO	REVISION	DWN	CKD	APVD	DATE
ECO-164765	A	1	RELEASED FOR PRODUCTION	PP	AB	B_SURVE	12SEP16

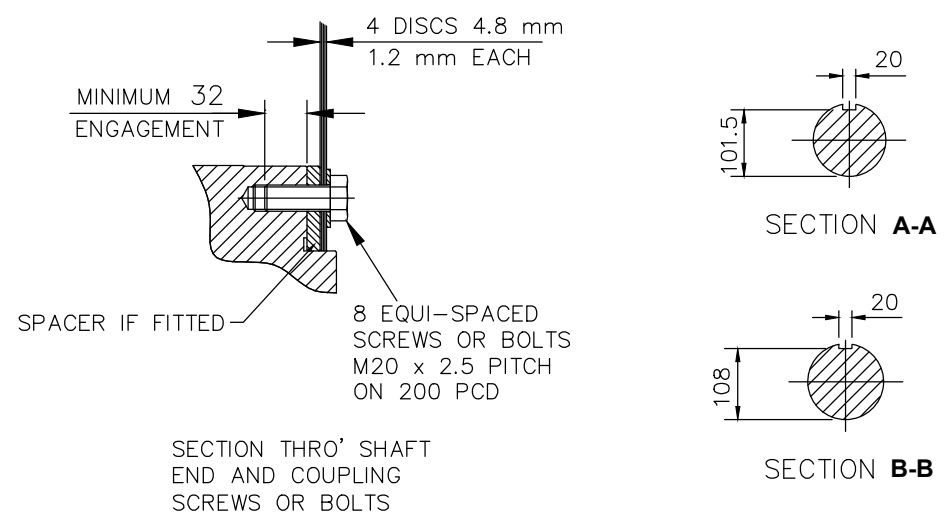
NOTES:

- SHAFT STIFFNESS: -
THE STIFFNESS OF THE SHAFT BETWEEN THE MAIN ROTOR CORE ϕ AND THE COUPLING HUB FACE ϕ IS 34.82×10^6 kgcm/radian (STIFFENING EFFECT OF MAIN ROTOR CORE IS NOT INCLUDED IN THIS FIGURE)
- SHAFT MATERIAL: -
STEEL - 080M40 TO BS970 PART 1 (APPROVED BY MARINE AUTHORITIES WHEN APPROPRIATE) MAXIMUM RECOMMENDED VIBRATORY STRESS LEVEL IN THE SHAFT IS 34.47×10^6 N/m² FOR SPEED RANGE OF 0.95 TO 1.1 X NOMINAL SPEED AND 68.94×10^6 N/m² FOR RUN THROUGH CONDITIONS, FOR INDUSTRIAL MACHINES. FOR MARINE AUTHORITIES, THEIR APPROPRIATE RULES WILL APPLY. CUMMINS GENERATOR TECHNOLOGIES SHOULD BE NOTIFIED OF ANY ROTORS NOT COMPLYING WITH THESE RULES
- CUMMINS GENERATOR TECHNOLOGIES BALANCE ROTORS TO COMPLY WITH INTERNATIONAL STD ISO 1940 GRADE 2,5 AND BS 6861 PART 1 GRADE 2,5. FOR UNBALANCED MAGNETIC PULL (U.M.P.) REFER TO THE GENERATOR MANUAL

COMPONENT	Wt kg	WR ² kgm ²
EX.ROTOR	31.290	0.5100
MAIN ROTOR	248.15	3.525
FAN	9.910	0.2630
SHAFT	87.191	0.1450
HUB	18.507	0.1779
P.M. STUB SHAFT	0.955	0.0002
P.M. EX. ROTOR	4.260	0.0120
TOTAL	400.263	4.6331

COUPLING SAE No	COUPLING DIMEN'S		COUPLING ASSEMBLY WEIGHT kg	COUPLING STIFFNESS 4-PLATES kgcm/rad	COUPLING DISC WR ² kg m ²
	XX	YY			
ø11.5"	352	23.8	12.08	755.8×10^6	0.055
ø17.75"	450.9	2.5	9.11	662.4×10^6	0.150
ø14"	467	9.5	11.66	622.8×10^6	0.172
ø18"	572	0.0	12.07	570.0×10^6	0.386

CONVERSION FACTORS		
TO CONVERT	TO	DIVIDE BY
kg	lb	0.453592
kg m ²	lb ft ²	0.04214
kgcm/rad	lbin/rad	1.1521246
N/m ²	lbf/in ²	6894.76



UNLESS OTHERWISE SPECIFIED, ALL DIMENSIONS ARE IN MILLIMETERS	SIM TO L15-12487	DRAWN P_PACHPUTE		CUMMINS GENERATOR TECHNOLOGIES
	DO NOT SCALE PRINT	CHECKED A_BIRARI		DRAWING, TORSIONAL
SCALE NTS		APPROVED B_SURVE	SITE CODE	S4 E 1-BRG
THIS DOCUMENT (AND THE INFORMATION SHOWN THEREON) IS CONFIDENTIAL AND PROPRIETARY AND SHALL NOT BE DISCLOSED TO OTHERS IN HARD COPY OR ELECTRONIC FORM, REPRODUCED BY ANY MEANS, OR USED FOR ANY PURPOSE WITHOUT WRITTEN CONSENT OF CUMMINS INC.	DATE 12SEP16	FIRST USED ON S4	DWG SIZE A0	A056E028
	FOR INTERPRETATION OF DIMENSIONING AND TOLERANCING, SEE ASME Y14.5-2009	STA	CAD SHEET 1 of 1	