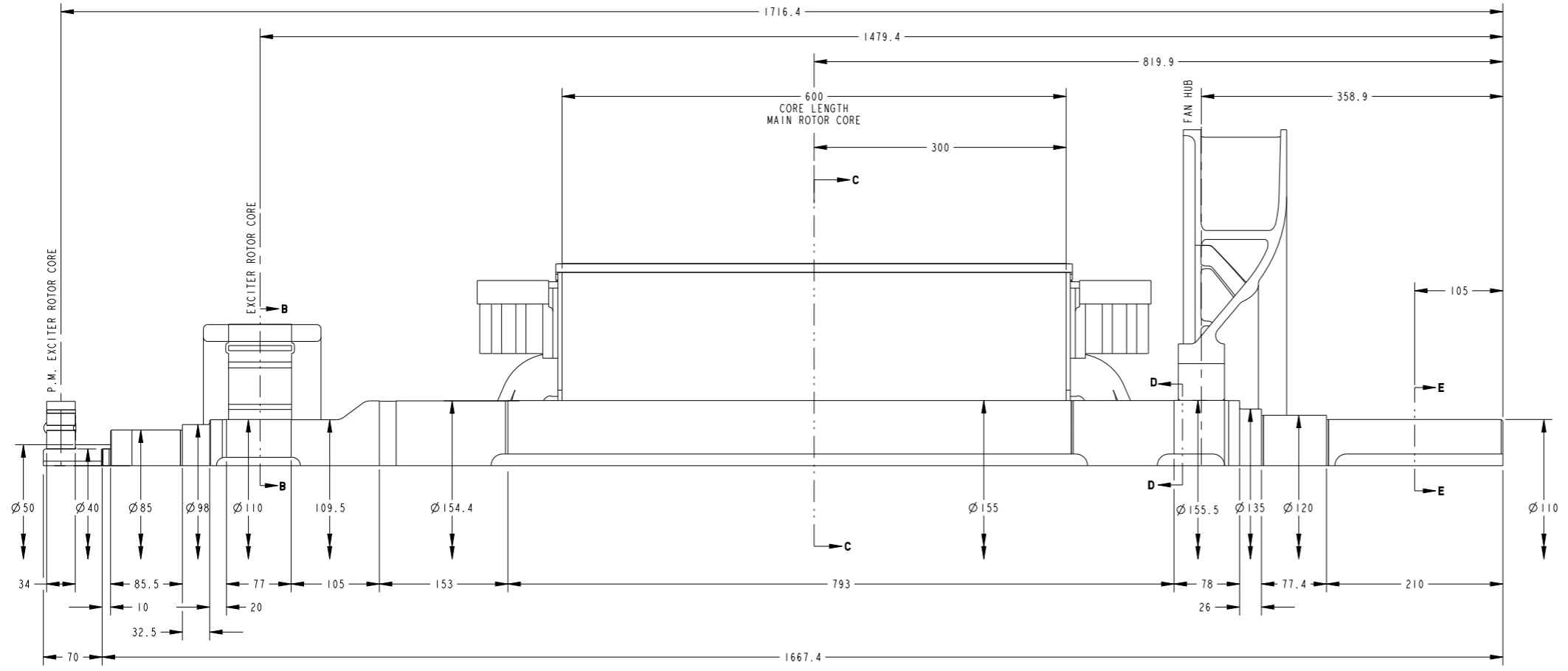


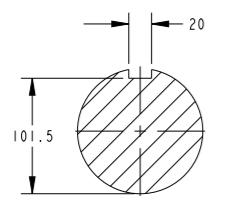
REL NO	REV NO	REVISION	DWN	CKD	APVD	DATE
ECO-172756	A	1	RELEASED FOR PRODUCTION	KP	SK	I.SAUNDATTI 06OCT17

NOTES:

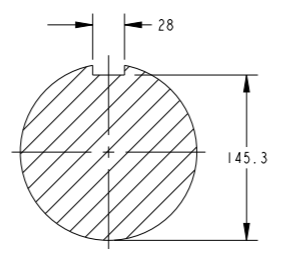
- SHAFT STIFFNESS:-
THE STIFFNESS OF THE SHAFT BETWEEN THE MAIN ROTOR CORE ϕ AND THE SHAFT EXTENSION ϕ IS 38.4×10^8 KGCM/RADIAN (STIFFENING EFFECT OF MAIN ROTOR CORE IS NOT INCLUDED IN THIS FIGURE)
- SHAFT MATERIAL:-
STEEL - C40E TO BSEN 10083-2 2006 (APPROVED BY MARINE AUTHORITIES WHEN APPROPRIATE) MAXIMUM RECOMMENDED VIBRATORY STRESS LEVEL IN THE SHAFT IS 34.47×10^8 N/m² FOR SPEED RANGE OF 0.95 TO 1.1 X NOMINAL SPEED AND 68.94×10^8 N/m² FOR RUN THROUGH CONDITIONS, FOR INDUSTRIAL MACHINES. FOR MARINE AUTHORITIES, THEIR APPROPRIATE RULES WILL APPLY
- CUMMINS GENERATOR TECHNOLOGIES LTD SHOULD BE NOTIFIED OF ANY ROTORS NOT COMPLYING WITH THESE RULES. CUMMINS GENERATOR TECHNOLOGIES LTD BALANCE ROTORS TO COMPLY WITH INTERNATIONAL STD BS ISO 1940 PARTS 1 AND 2. BALANCE GRADE 2.5
- FOR UNBALANCED MAGNETIC PULL (U.M.P.) REFER TO THE FACTORY



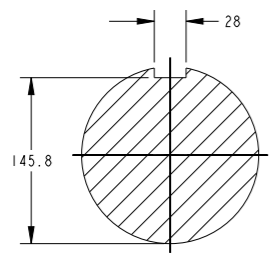
SECTION A-A



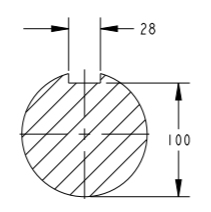
SECTION BB



SECTION CC



SECTION DD



SECTION EE

COMPONENT	Wt Kg	WR ² (KGM ²)
EX. ROTOR	44.02	0.6644
MAIN ROTOR	723	22.566
FAN	35.98	2.3407
SHAFT	197.77	0.5257
P.M. EXCITER ROTOR	4	0.011
P.M. STUB SHAFT	0.859	0.0003
TOTAL	1005.63	26.11

CONVERSION FACTORS		
TO CONVERT	TO	DIVIDE BY
kg	lb	0.453592
kg m ²	lb ft ²	0.04214
kgcm/rad	lbin/rad	1.1521246
N/m ²	lbf/in ²	6894.76

UNLESS OTHERWISE SPECIFIED, ALL DIMENSIONS ARE IN MILLIMETERS		SIM TO	DWN K_PATIL		CUMMINS GENERATOR TECHNOLOGIES DRAWING, TORSIONAL S6L1D-G, 2-BRG, 4-POLE
DO NOT SCALE PRINT		CKD S_KARMARKAR	APVD I_SAUNDATTI		
DIN	0-00-4.99 +0.15/-0.08 5.00-9.99 +0.20/-0.10 10.00-17.99 +0.25/-0.13 17.50-24.99 +0.30/-0.13		DATE 06OCT17	SITE CODE	FIRST USED ON OF DIMENSIONING AND TOLERANCING, SEE ASME Y14.5-2009
ANG ISO	SCALE 0.320	THIS DOCUMENT (AND THE INFORMATION SHOWN THEREON) IS CONFIDENTIAL AND PROPRIETARY AND SHALL NOT BE DISCLOSED TO OTHERS IN HARD COPY OR ELECTRONIC FORM, REPRODUCED BY ANY MEANS, OR USED FOR ANY PURPOSE WITHOUT WRITTEN CONSENT OF CUMMINS INC.	STA	S6 A1	A058H237 CAD SHEET 1 of 1