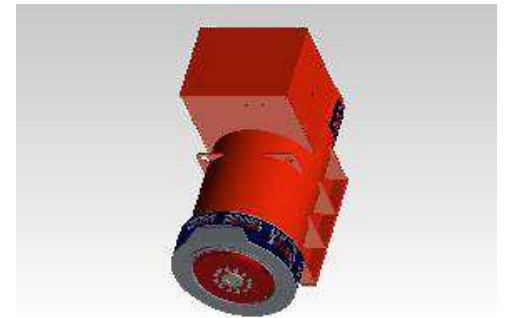




Part Number: A063C028

Change Notice	CN00005287	Alternates	
Manufacturer Part (MEP)	No	Usage	Production Only
Release Phase Code	Production (P)	Drawing Specification	DS47009676
External Regulations	No External Regulation		



3D image provided when available for visual reference only.

Associated Specifications

Number	Name	Type	Category	Sub-Category
ESA030B356	SPECIFICATION,MATERIAL	Engineering Specification	Material Specification	Prohibited and Restricted Prohibited and Restricted

Drawing Revision Information

Description of Change(s)
PRODUCTION RELEASE

Drawing Authorization

Drafter	Kuldeep Dilip Pawar	Date	17JUN2019
Checker	Umesh Krushnarao Dagwale	Date	17JUN2019
Approver	NO APPROVAL REQUIRED	Date	

Document Generated: 17JUN2019 12:04 GMT