

NOTES:
 1. NOMINAL WEIGHT BASED ON CAD MODEL 6100kg (NOT FOR INSPECTION)
 2. ALL DIMENSIONS ARE REFERENCE, UNLESS SPECIFICALLY TOLERANCED

DRAWING SPECIFICATION DESCRIPTION
 S9LV, D-CORE, I-BRG, SAE00/21

Cummins Generator Technologies



DIMENSIONS ARE IN: MILLIMETERS
 [] ARE IN: -
 DIMENSIONING AND TOLERANCING PER:
 ASME Y14.5-2009

SIZE: A2 SCALE: 1:10



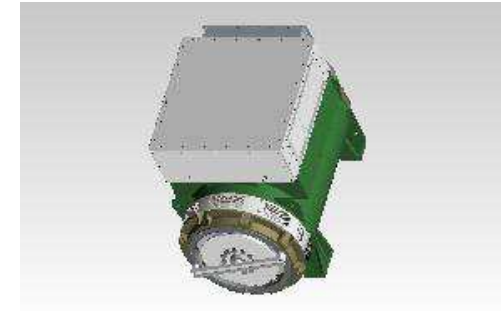
CAD SYSTEM
 PTC® Creo® Parametric

Document Generated: 01DEC2023 14:49 GMT



Part Number: A073V457

| | | | |
|-------------------------|------------------------|-----------------------|--------------------|
| Change Notice | CN00114617 | Alternates | |
| Manufacturer Part (MEP) | No | Usage | Production Only |
| Release Phase Code | Production (P) | Drawing Specification | Number: DS47127674 |
| External Regulations | No External Regulation | | Revision: B |



3D image provided when available for visual reference only.

Drawing Revision Information

| |
|-------------------------------------------------------------------------------------------------------------------------------------------------------------------|
| <p>Description of Change(s) Note: Change information is provided for reference only and does not supersede the drawing's primary content.</p> |
| DRAWING - PRODUCTION RELEASE. |
| PART - PRODUCTION RELEASE. |

Drawing Authorization

| | | | |
|----------|------------------------|------|-----------|
| Drafter | Jack Ketteringham | Date | 24NOV2023 |
| Checker | Jordan Randall | Date | 24NOV2023 |
| Approver | Krzysztof Wejrzanowski | Date | 01DEC2023 |

Document Generated: 01DEC2023 14:49 GMT