

Document Generated: 29JAN2024 08:44 GMT

Cummins Data Classification:  
Cummins Confidential

This document (and the information shown thereon) is Confidential and Proprietary and shall not be disclosed to others in hard copy or electronic form, reproduced by any means, or used for any purpose without written consent of Cummins Inc.

|  |                        |             |                                     |
|--|------------------------|-------------|-------------------------------------|
| Cummins Generator Technologies                       |                        |             |                                     |
| DIMENSIONS ARE IN: MILLIMETERS<br>[ ] ARE IN: -      | SIZE: A2               | SCALE: 1:10 |                                     |
| DIMENSIONING AND TOLERANCING PER:<br>ASME Y14.5-2009 | THIRD ANGLE PROJECTION |             | CAD SYSTEM<br>PTC® Creo® Parametric |

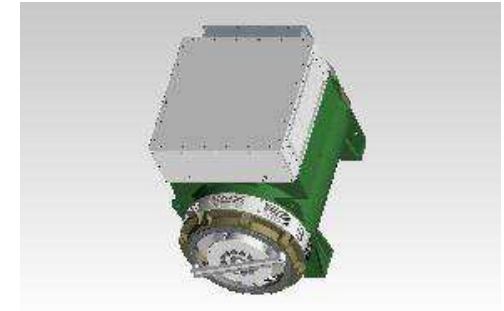
DRAWING SPECIFICATION DESCRIPTION  
S9LV, C-CORE, I-BRG, SAE00/18

Part Number: **A075K675** Part Revision: **B**  
Part Name: **ARRANGEMENT, GENERATOR GENERAL**  
Drawing Category: **Outline** State: **Released** Sheet 1 of 2



**Part Number: A075K675**

|                         |                        |                       |                    |
|-------------------------|------------------------|-----------------------|--------------------|
| Change Notice           | CN00123684             | Alternates            |                    |
| Manufacturer Part (MEP) | No                     | Usage                 | Production Only    |
| Release Phase Code      | Production (P)         | Drawing Specification | Number: DS47142813 |
| External Regulations    | No External Regulation |                       | Revision: B        |



3D image provided when available for visual reference only.

**Drawing Revision Information**

**Description of Change(s)**

Note: Change information is provided for reference only and does not supersede the drawing's primary content.

PRODUCTION RELEASE

**Drawing Authorization**

|          |                            |      |           |
|----------|----------------------------|------|-----------|
| Drafter  | Jordan Randall             | Date | 24JAN2024 |
| Checker  | Sneha Pundlikrao Bondlewad | Date | 29JAN2024 |
| Approver | Matthew Hammond            | Date | 29JAN2024 |

Document Generated: 29JAN2024 08:44 GMT