

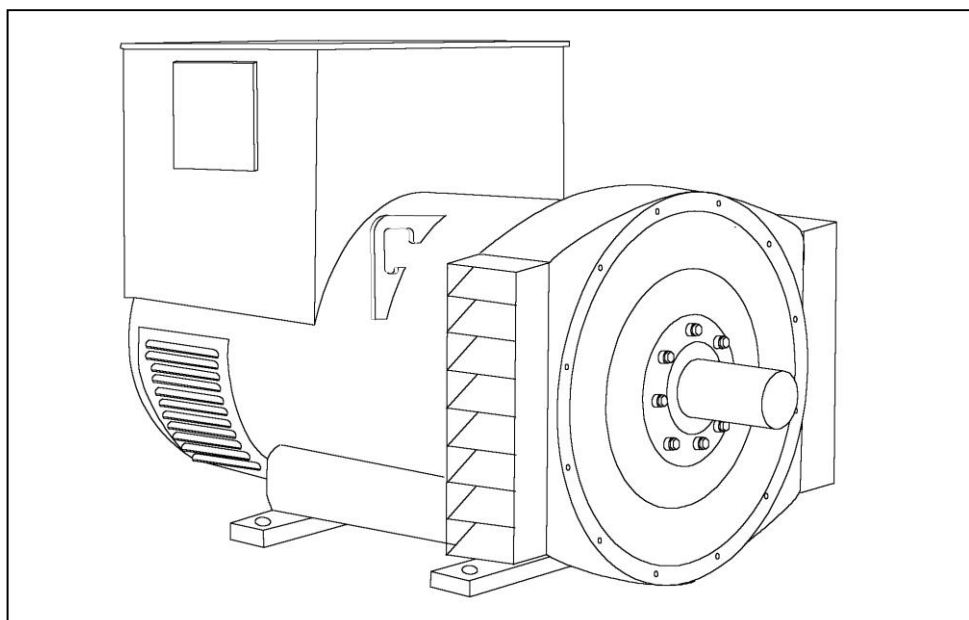
## S4L1M-F4 Wdg.17 - Technical Data Sheet

### Standards

STAMFORD industrial alternators meet the requirements of the relevant parts of the IEC EN 60034 and the relevant section of other international standards such as BS5000, VDE 0530, NEMA MG1-32, IEC34, CSA C22.2-100 and AS1359. Other standards and certifications can be considered on request.

### Quality Assurance

Alternators are manufactured using production procedures having a quality assurance level to BS EN ISO 9001.



### Excitation and Voltage Regulators

Excitation System			
AVR Type	MX341	MX321	
Voltage Regulation	± 1%	± 0.5%	with 4% Engine Governing
AVR Power	PMG	PMG	

No Load Excitation Voltage (V)	10 - 8
No Load Excitation Current (A)	0.6 - 0.4
Full Load Excitation Voltage (V)	41 - 37
Full Load Excitation Current (A)	2.3 - 2.1
Exciter Time Constant (seconds)	0.105

# STAMFORD®

## S4L1M-F4 Wdg.17

Electrical Data	
Insulation System	Class H
Stator Winding	Double Layer Lap
Winding Pitch	Two Thirds
Winding Leads	12
Winding Number	17
Number of Poles	4
IP Rating	IP23
RFI Suppression	BS EN 61000-6-2 & BS EN 61000-6-4, VDE 0875G, VDE 0875N. Refer to factory for others
Waveform Distortion	NO LOAD < 1.5% NON-DISTORTING BALANCED LINEAR LOAD < 5.0%
Short Circuit Ratio	1/Xd
Steady State X/R Ratio	20.7392
<b>60 Hz</b>	
Telephone Interference	TIF<50
Cooling Air	0.99 m³/sec
Voltage Star	600
kVA Base Rating (Class H) for Reactance Values	425
Saturated Values in Per Unit at Base Ratings and Voltages	
Xd Dir. Axis Synchronous	2.32
X'd Dir. Axis Transient	0.16
X''d Dir. Axis Subtransient	0.11
Xq Quad. Axis Reactance	2.04
X''q Quad. Axis Subtransient	0.31
XL Stator Leakage Reactance	0.05
X2 Negative Sequence Reactance	0.20
X0 Zero Sequence Reactance	0.07
Unsaturated Values in Per Unit at Base Ratings and Voltages	
Xd Dir. Axis Synchronous	2.78
X'd Dir. Axis Transient	0.19
X''d Dir. Axis Subtransient	0.13
Xq Quad. Axis Reactance	2.10
X''q Quad. Axis Subtransient	0.37
XL Stator Leakage Reactance	0.06
Xlr Rotor Leakage Reactance	0.08
X2 Negative Sequence Reactance	0.24
X0 Zero Sequence Reactance	0.08

# STAMFORD

## S4L1M-F4 Wdg.17

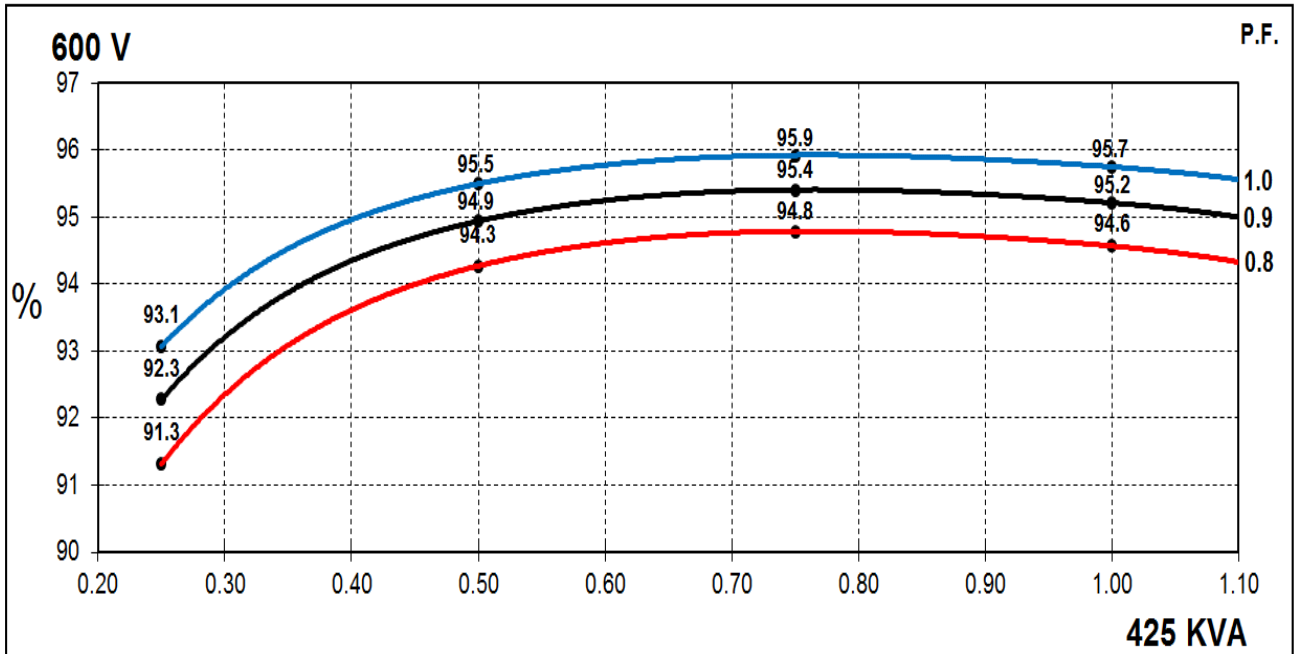
<b>Time Constants (Seconds)</b>		
T'd TRANSIENT TIME CONST.		0.08
T''d SUB-TRANSTIME CONST.		0.019
T'do O.C. FIELD TIME CONST.		1.7
Ta ARMATURE TIME CONST.		0.018
T''q SUB-TRANSTIME CONST.		0.0304
<b>Resistances in Ohms (<math>\Omega</math>) at 22<sup>o</sup>C</b>		
Stator Winding Resistance (Ra), per phase for series connected		0.011
Rotor Winding Resistance (Rf)		1.37
Exciter Stator Winding Resistance		18
Exciter Rotor Winding Resistance per phase		0.068
PMG Phase Resistance (Rpmg) per phase		1.9
Positive Sequence Resistance (R1)		0.01375
Negative Sequence Resistance (R2)		0.01584
Zero Sequence Resistance (R0)		0.01375
<b>Saturation Factors</b>		<b>600V</b>
SG1.0		0.3
SG1.2		1.45
<b>Mechanical Data</b>		
Shaft and Keys	All alternator rotors are dynamically balanced to better than BS6861: Part 1 Grade 2.5 for minimum vibration in operation. Two bearing generators are balanced with a half key.	
	1 Bearing	2 Bearings
SAE Adaptor	SAE 0, 0.5, 1, 2, 3	SAE 0, 0.5, 1, 2
Moment of Inertia	5.4292 kgm <sup>2</sup>	5.2304 kgm <sup>2</sup>
Weight Wound Stator	535 kg	535 kg
Weight Wound Rotor	463 kg	440 kg
Weight Complete Alternator	1160 kg	1160 kg
Shipping weight in a Crate	1230 kg	1230 kg
Packing Crate Size	155 x 87 x 107 (cm)	155 x 87 x 107 (cm)
Maximum Over Speed	2250 RPM for two minutes	
Bearing Drive End	N/A	Ball 6317
Bearing Non-Drive End	Ball 6314	Ball 6314

# STAMFORD®

S4L1M-F4 Wdg.17

## THREE PHASE EFFICIENCY CURVES

60Hz

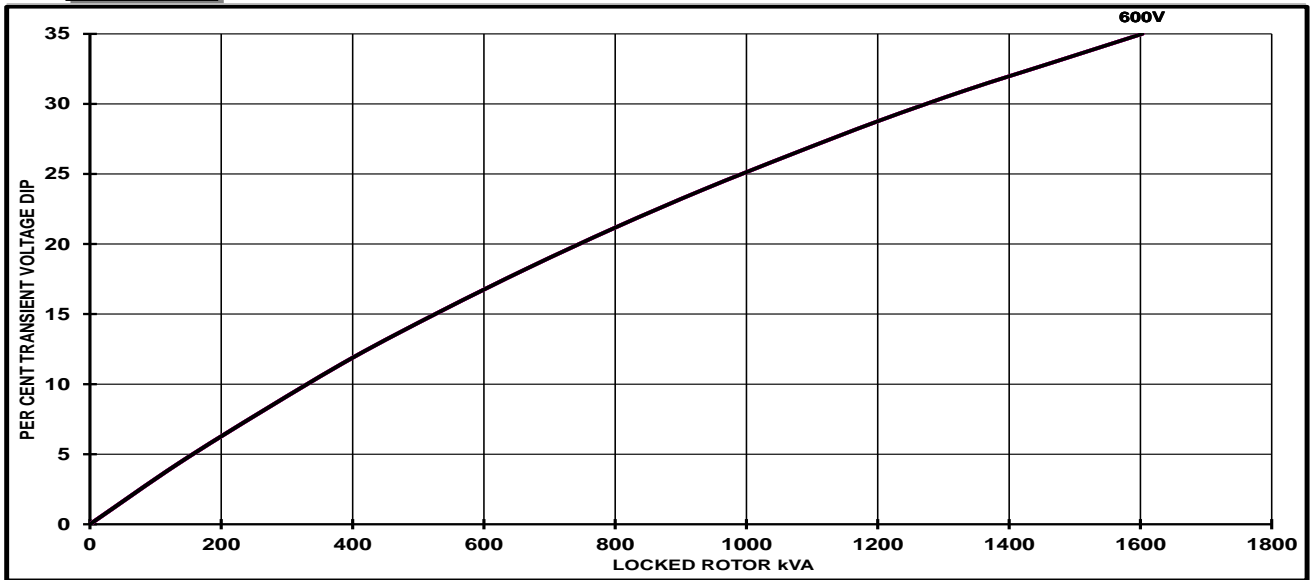


# STAMFORD

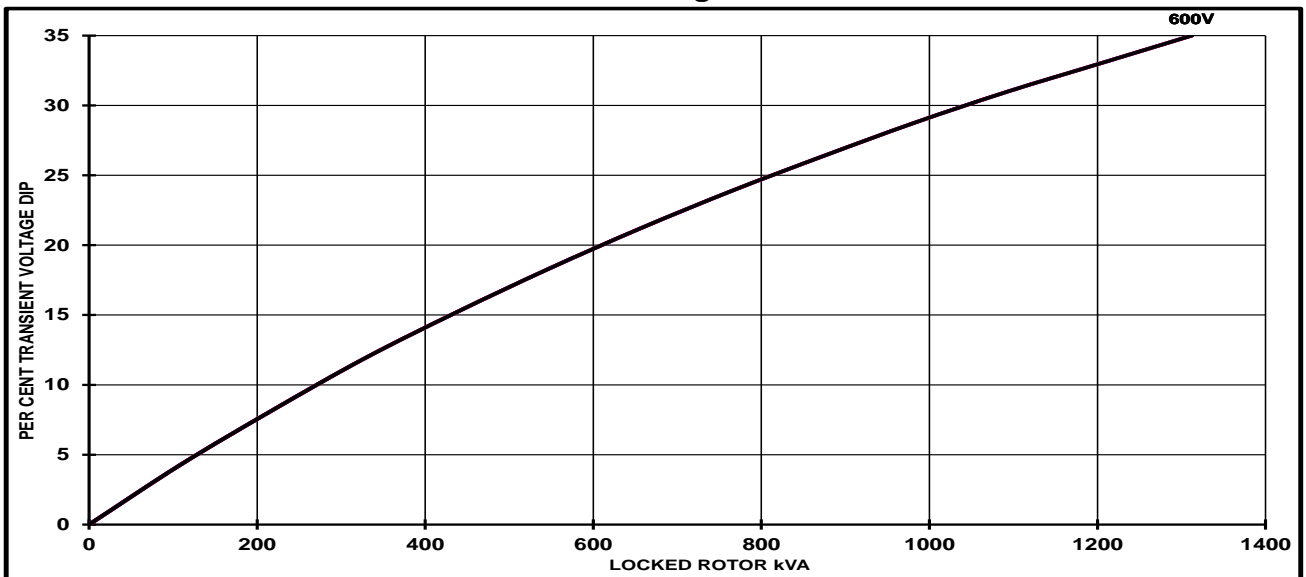
S4L1M-F4 Wdg.17

## Locked Rotor Motor Starting Curves - Separately Excited

60Hz



## Locked Rotor Motor Starting Curves - Self Excited



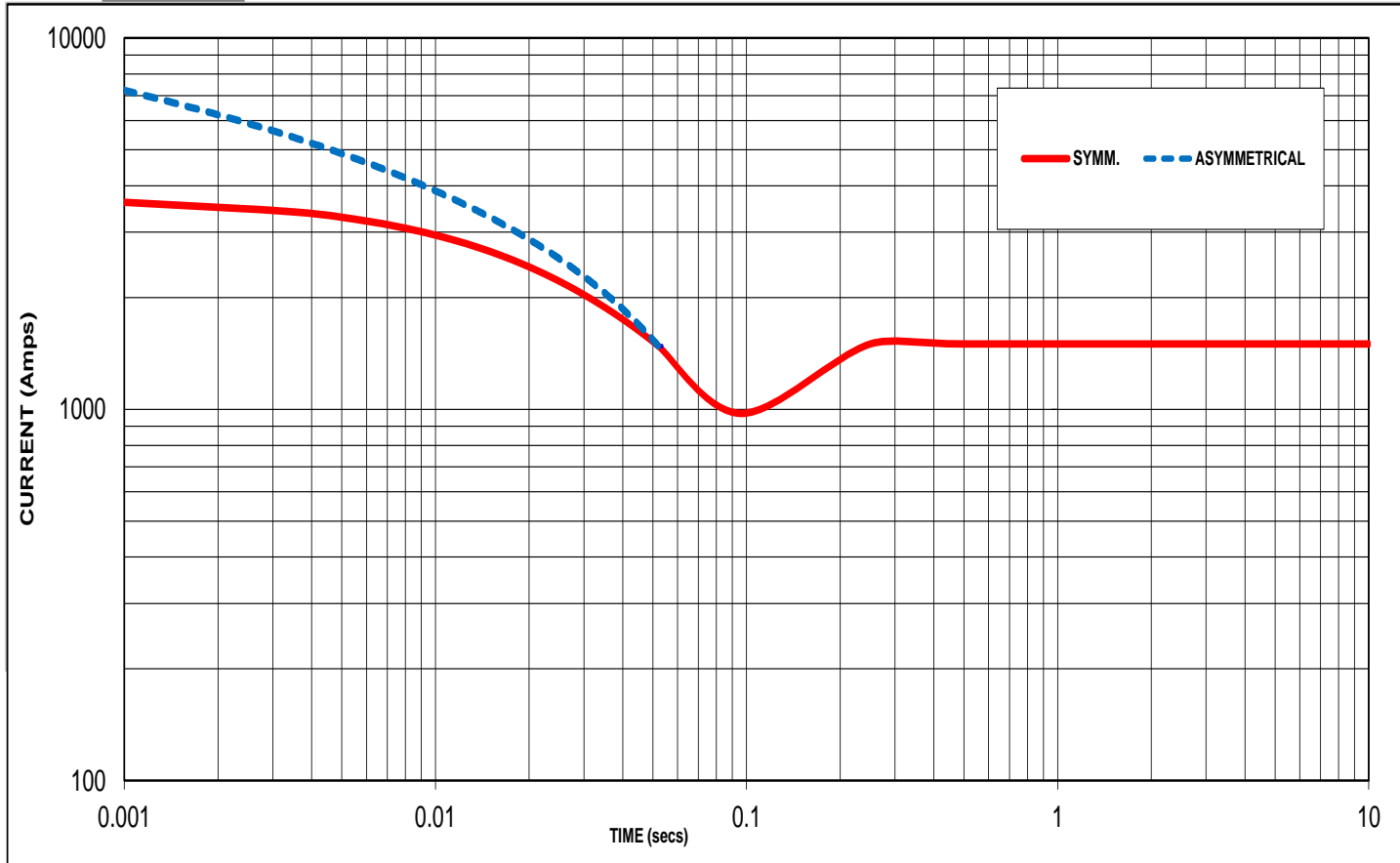
Transient Voltage Dip Scaling Factor		Transient Voltage Rise Scaling Factor
PF	Factor	
< 0.5	1	For voltage rise multiply voltage dip by 1.25
0.5	0.97	
0.6	0.93	
0.7	0.9	
0.8	0.85	
0.9	0.83	

# STAMFORD

S4L1M-F4 Wdg.17

## Three-phase Short Circuit Decrement Curve

**60Hz**



Sustained Short Circuit = 1500 Amps

**Note 1**

The following multiplication factors should be used to adjust the values from curve between time 0.001 seconds and the minimum current point in respect of nominal operating voltage :

Voltage	Factor
600V	X 1.00

The sustained current value is constant irrespective of voltage level

**Note 2**

The following multiplication factor should be used to convert the values calculated in accordance with NOTE 1 to those applicable to the various types of short circuit :

	3-phase	2-phase L-L	1-phase L-N
Instantaneous	x 1.00	x 0.87	x 1.30
Minimum	x 1.00	x 1.80	x 3.20
Sustained	x 1.00	x 1.50	x 2.50
Max. sustained duration	10 sec.	5 sec.	2 sec.

All other times are unchanged

**Note 3**

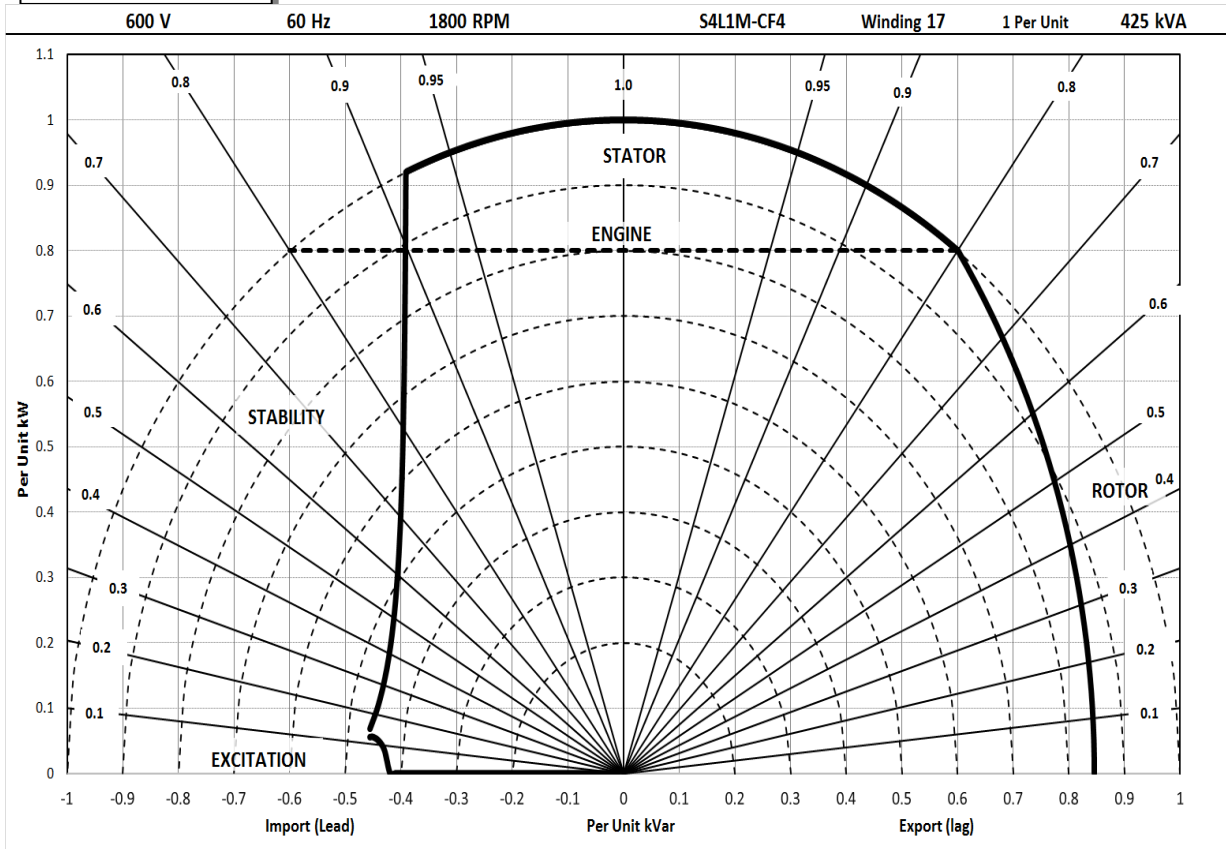
Curves are drawn for Star connected machines under no-load excitation at rated speeds. For other connection the following multipliers should be applied to current values as shown :  
 Parallel Star = Curve current value X 2  
 Series Delta = Curve current value X 1.732

# STAMFORD

S4L1M-F4 Wdg.17

## Typical Alternator Operating Charts

600V/60Hz



# STAMFORD®

S4L1M-F4 Wdg.17

## RATINGS AT 0.8 POWER FACTOR

Class - Temp Rise	Cont. H - 110/50°C	Cont. F - 90/50°C	Cont. B - 70/50°C	
<b>60</b> Hz	Series Star (V)	600	600	
	Parallel Star (V)	300	300	
	Series Delta (V)	346	346	
	kVA	425	395	345
	kW	340	316	276
	Efficiency (%)	94.6	94.7	94.8
	kW Input	359	334	291

### De-Rates

All values tabulated above are subject to the following reductions:

- 5% when air inlet filters are fitted
- 3% for every 500 meters by which the operating altitude exceeds 1000 meters above mean sea level
- 3% for every 5°C by which the operational ambient temperature exceeds 40°C
- For any other operating conditions impacting the cooling circuit please refer to applications

Note: Requirement for operating in an ambient exceeding 60°C and altitude exceeding 4000 meters must be referred to applications.

### Dimensional and Torsional Drawing

For dimensional and torsional information please refer to the alternator General Arrangement and rotor drawings available on our website (<http://stamford-avk.com/>)

**Note:** Continuous development of our products means that the information contained in our data sheets can change without notice, and specifications should always be confirmed with Cummins Generator Technologies prior to purchase.





Follow us @stamfordavk



Cummins Generator Technologies



View our videos at [youtube.com/stamfordavk](https://youtube.com/stamfordavk)

**[news.stamford-avk.com](https://news.stamford-avk.com)**

**For Applications Support:**  
**[applications@cummins.com](mailto:applications@cummins.com)**

**For Customer Service:**  
**[service-engineers@stamford-avk.com](mailto:service-engineers@stamford-avk.com)**

**For General Enquiries:**  
**[info@cumminsgeneratortechnologies.com](mailto:info@cumminsgeneratortechnologies.com)**

Copyright 2016. Cummins Generator Technologies Ltd. All rights reserved.  
Cummins and the Cummins logo are registered trade marks of Cummins Inc.  
STAMFORD is a registered trade mark of Cummins Generator Technologies Ltd.

