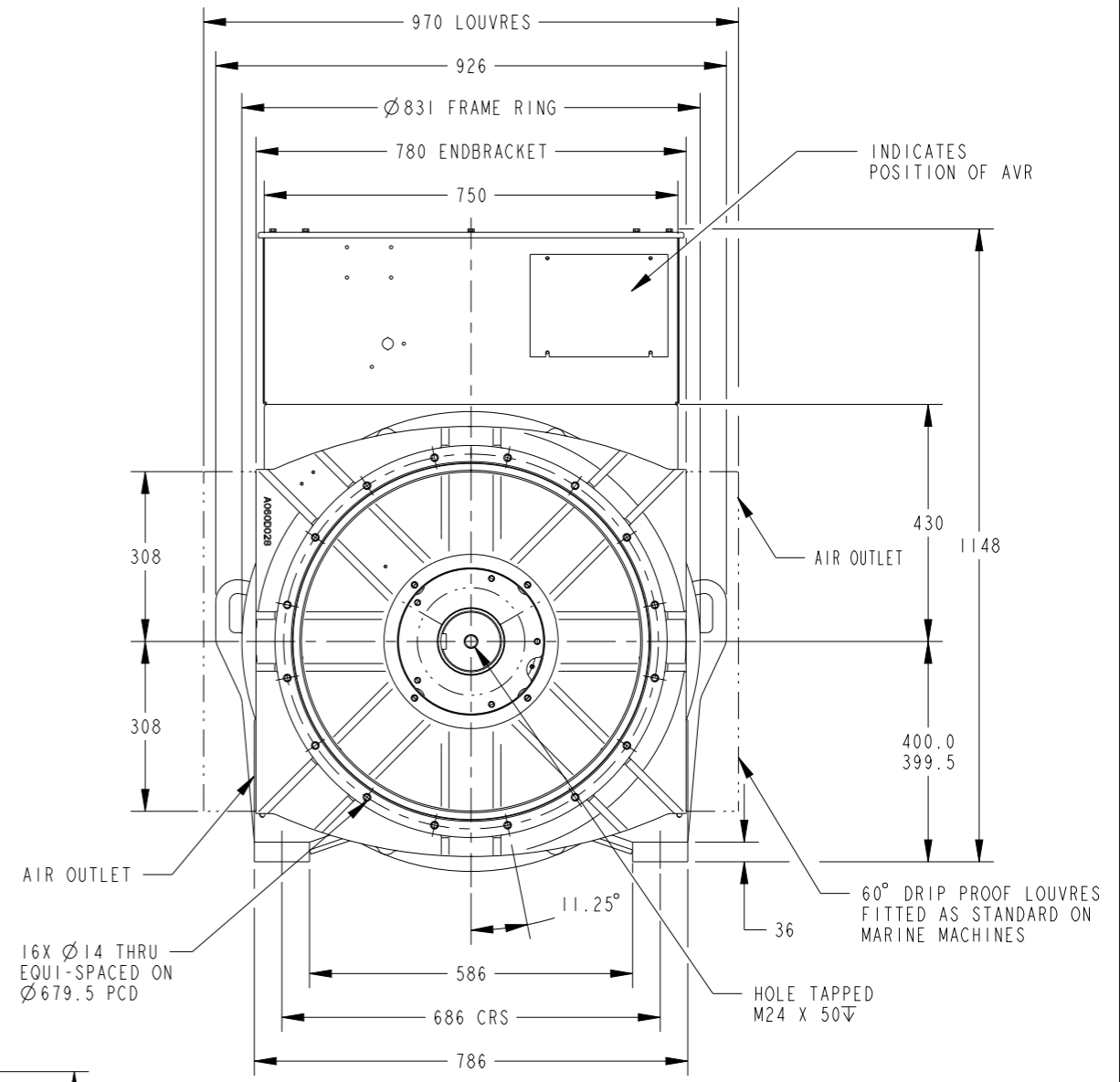
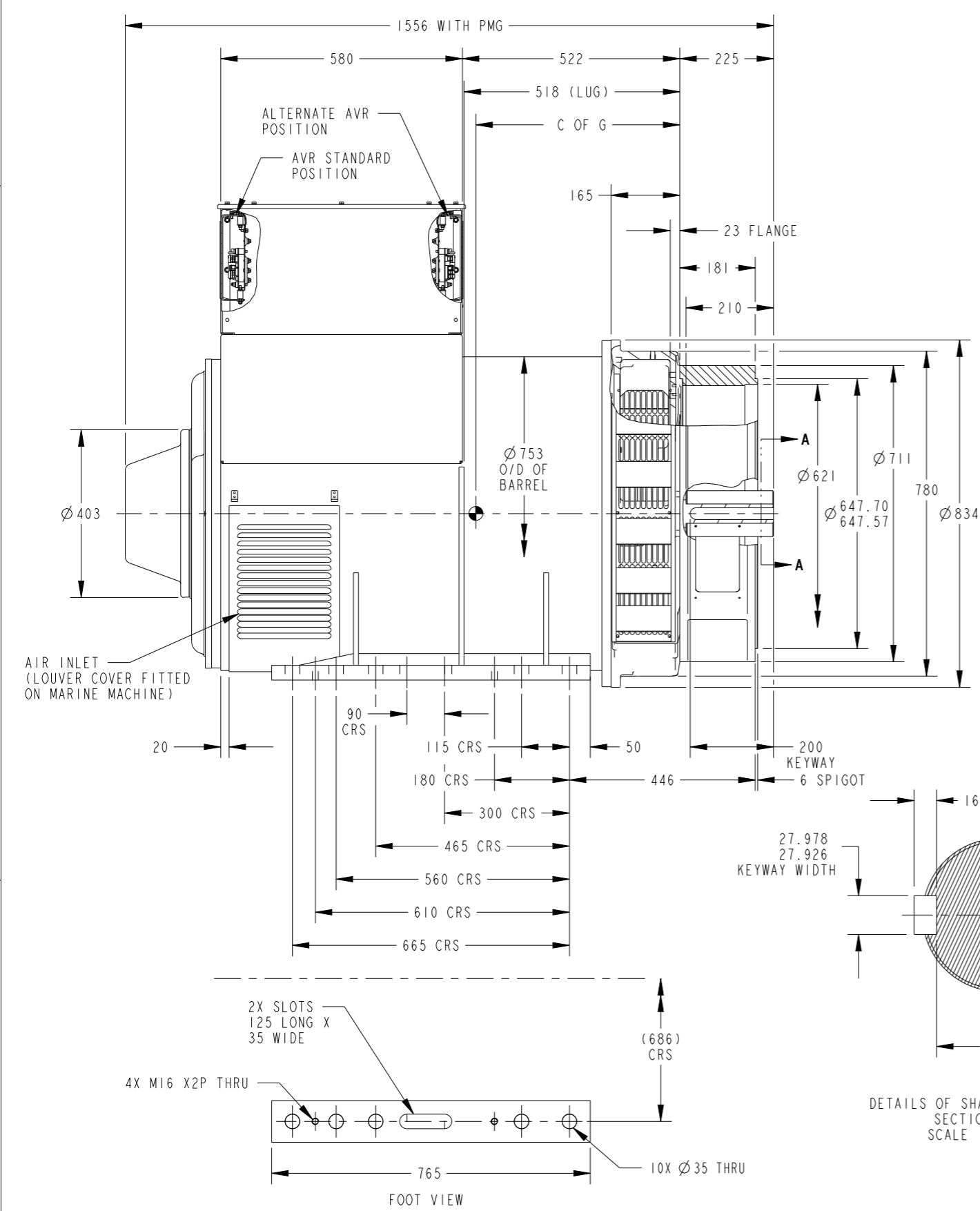


CORE	WEIGHT(KG)	C OF G
C	1970	503
D	2030	517

REL NO	REV	NO	REVISION	DWN	CKD	APVD	DATE
ECO-182912	B	1	ZONE D4, FOR C CORE WEIGHT 1970 WAS 1897 AND FOR D CORE WEIGHT 2030 WAS 1953	KSK	RDH	I.SAUNDATTI	15JAN19
		2	ZONE B3, DIM 16 WAS 8	KSK	RDH	I.SAUNDATTI	15JAN19
		3	ZONE B4, ADD DIM 20	KSK	RDH	I.SAUNDATTI	15JAN19
		4	ZONE A3 & A4, ADD FOOT VIEW	KSK	RDH	I.SAUNDATTI	15JAN19

NOTE:  
1. CUSTOMER MUST ENSURE THAT AIR INLET AND OUTLET POSITIONS ARE NOT OBSTRUCTED



DETAILS OF SHAFT EXTENSION SECTION A-A SCALE 0.400

UNLESS OTHERWISE SPECIFIED, ALL DIMENSIONS ARE IN MILLIMETERS	SIM TO -	DWN K. PATIL		CUMMINS GENERATOR TECHNOLOGIES	
	DO NOT SCALE PRINT	CKD R. HANABAR		DRAWING, GENERAL ASSEMBLY	
SCALE 0.120		APVD I. SAUNDATTI	SITE CODE	S6LIM-C/D, 2B SAE0, STD BOX (MARINE)	
THIS DOCUMENT (AND THE INFORMATION SHOWN THEREON) IS CONFIDENTIAL AND PROPRIETARY AND SHALL NOT BE DISCLOSED TO OTHERS IN HARD COPY OR ELECTRONIC FORM, REPRODUCED BY ANY MEANS, OR USED FOR ANY PURPOSE WITHOUT WRITTEN CONSENT OF CUMMINS INC.	DATE 03APR18	FIRST USED ON S6	STA	DWG SIZE A2	A059X857
	FOR INTERPRETATION OF DIMENSIONING AND TOLERANCING, SEE ASME Y14.5-2009				CAD SHEET 1 of 1