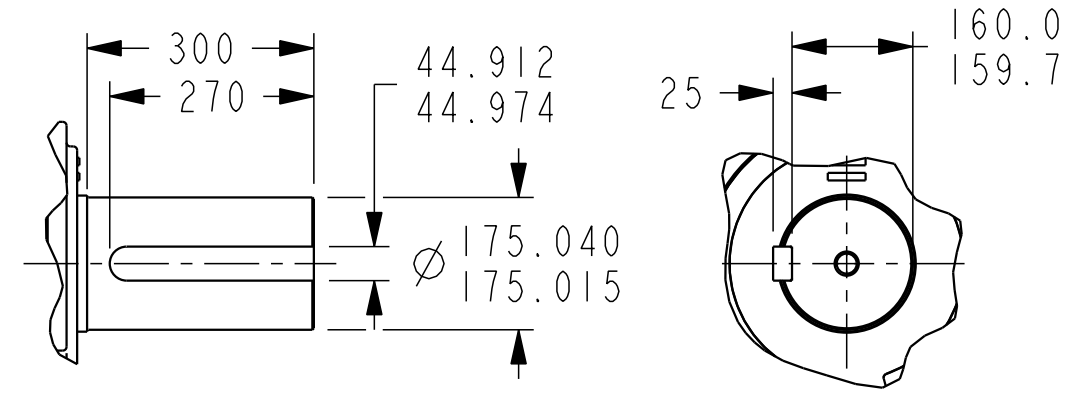
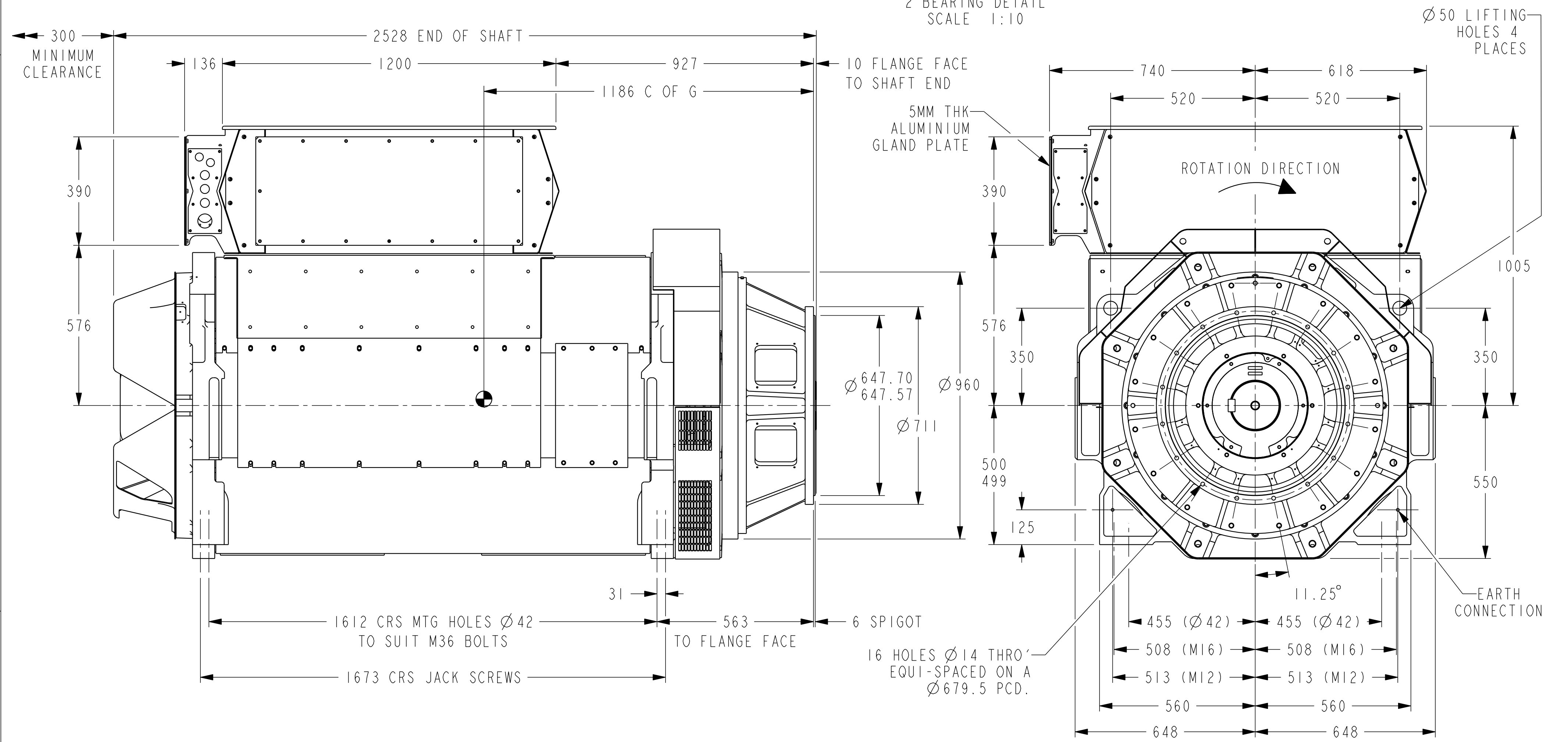


REL NO	REV	NO	REVISION	DWN	CKD	APVD	DATE
ECO-169195	B	1	DRAWING BORDER AND DIMENSIONING SCHEME UPDATED	AS	AS	D.LEE	06APR17

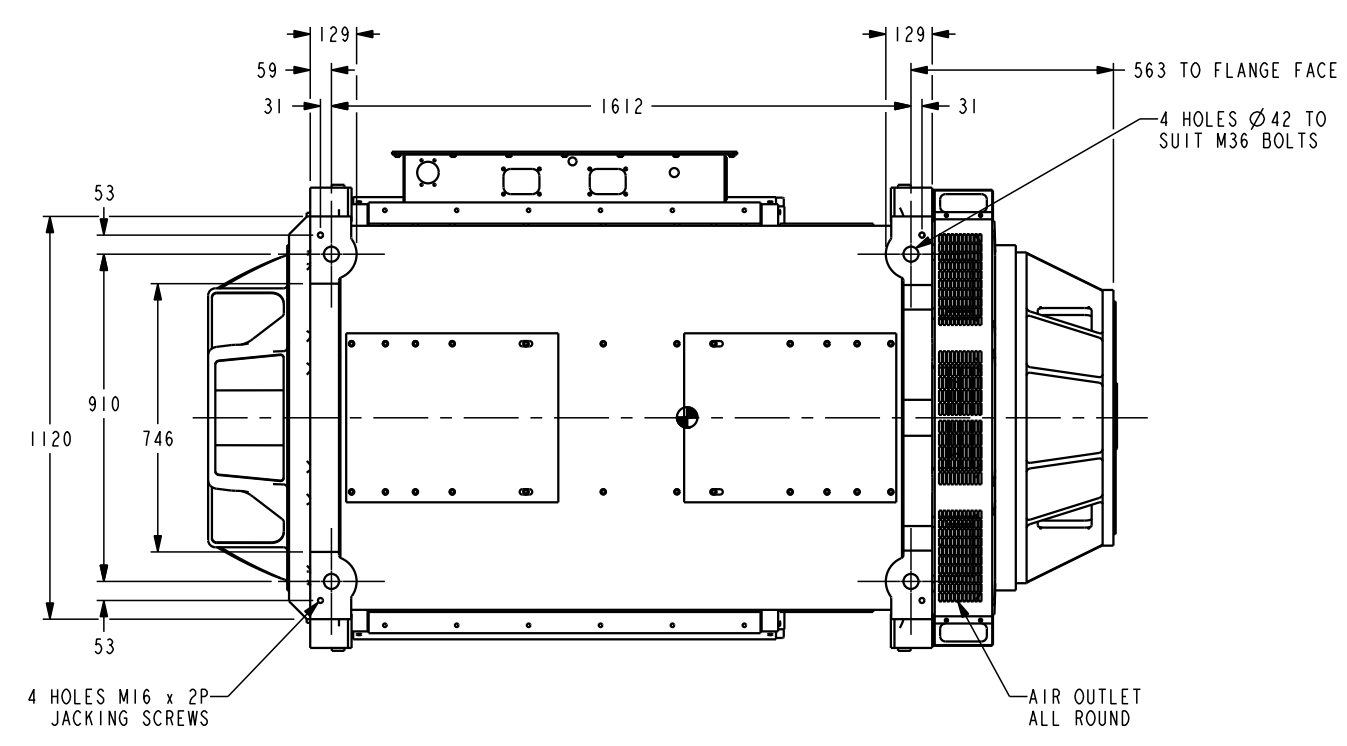
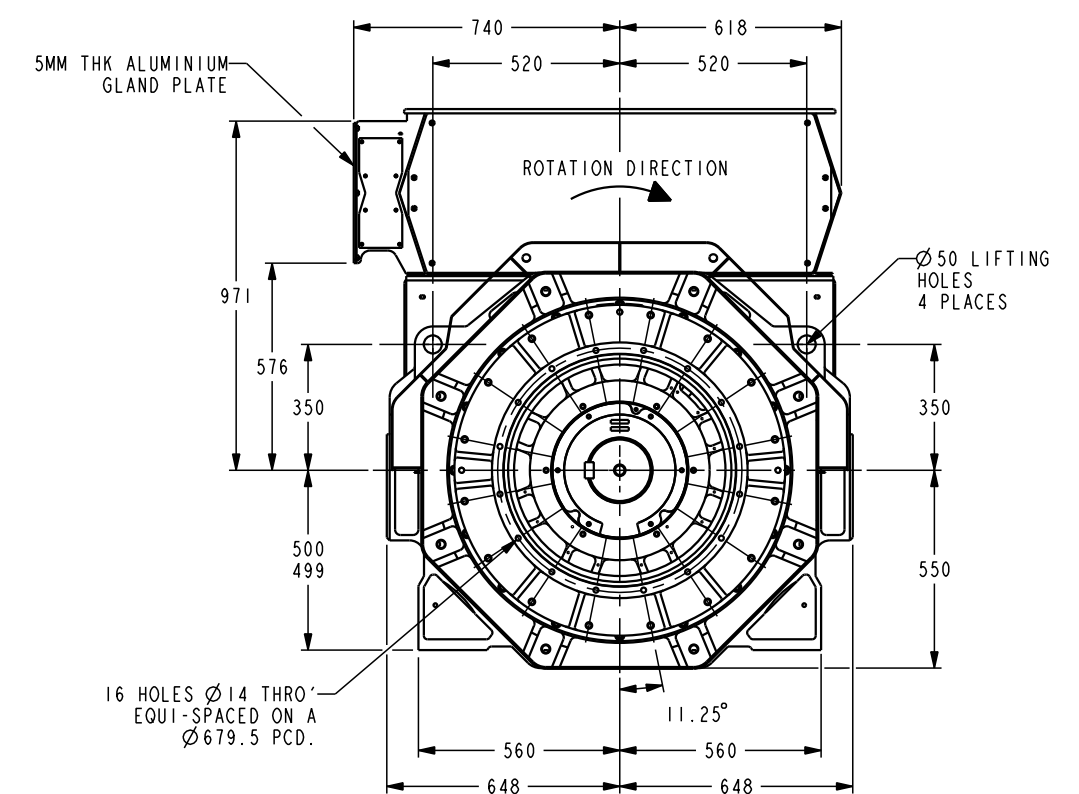
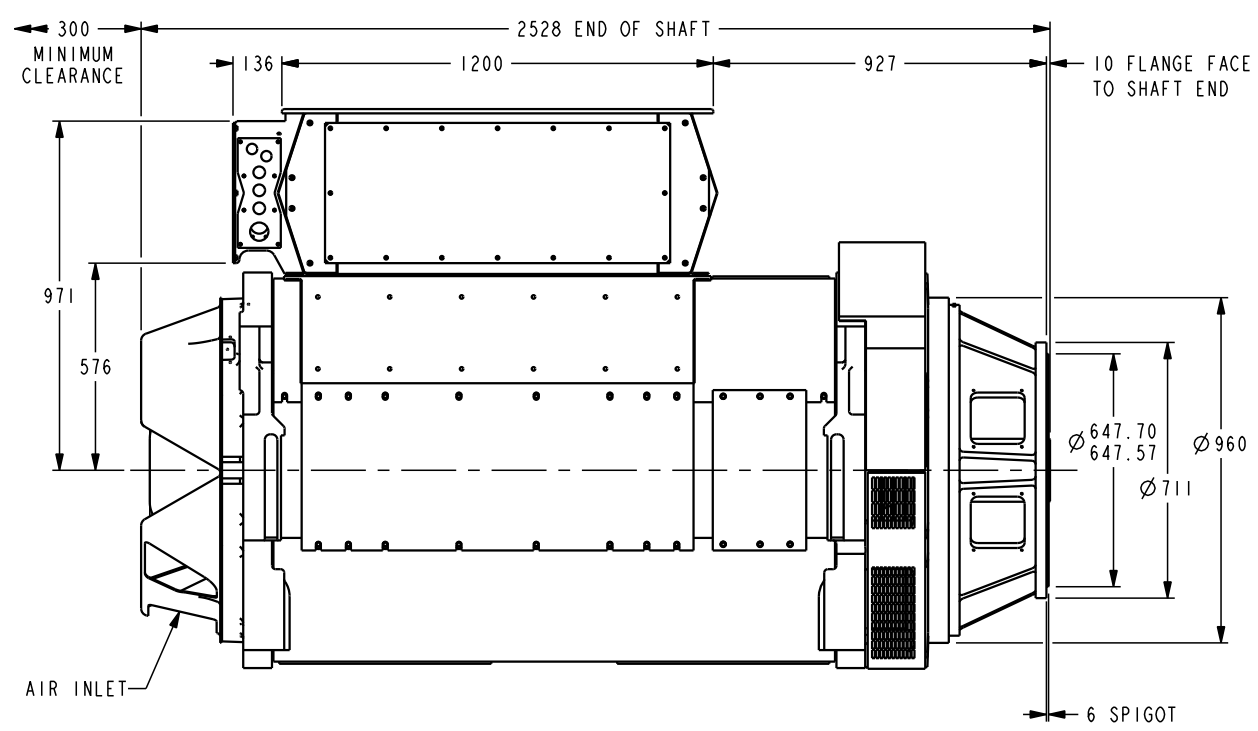
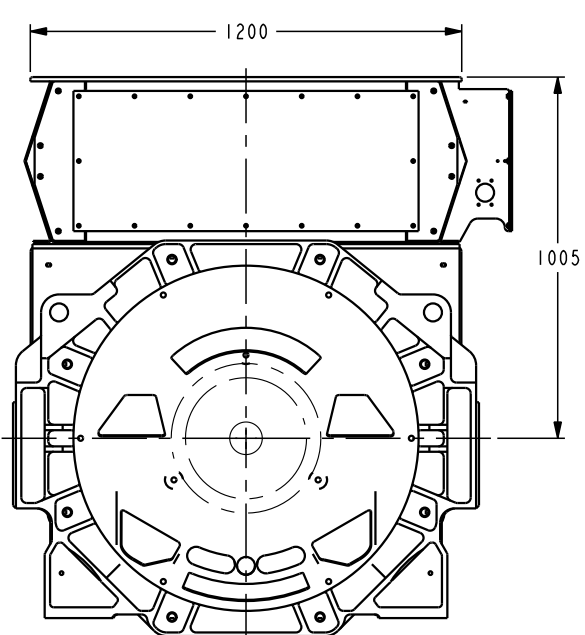
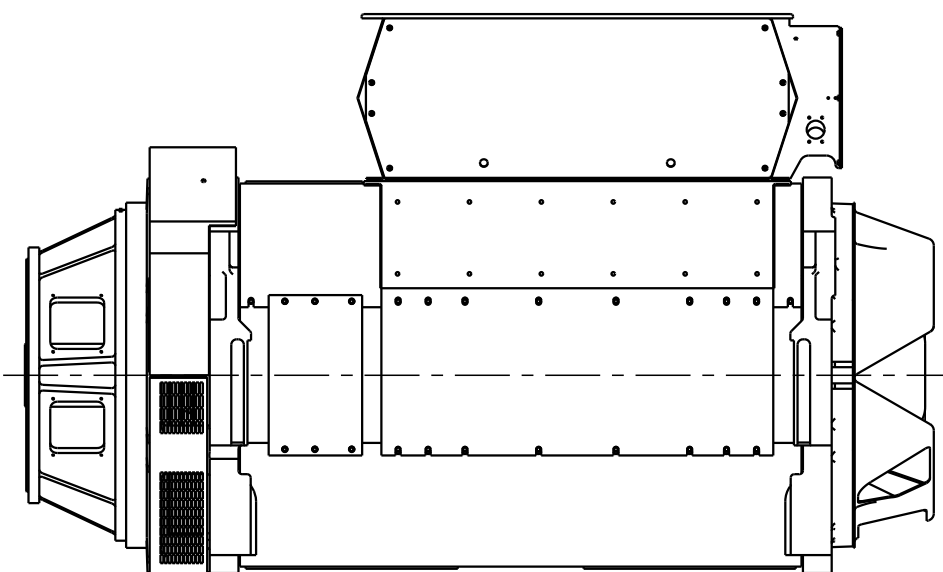
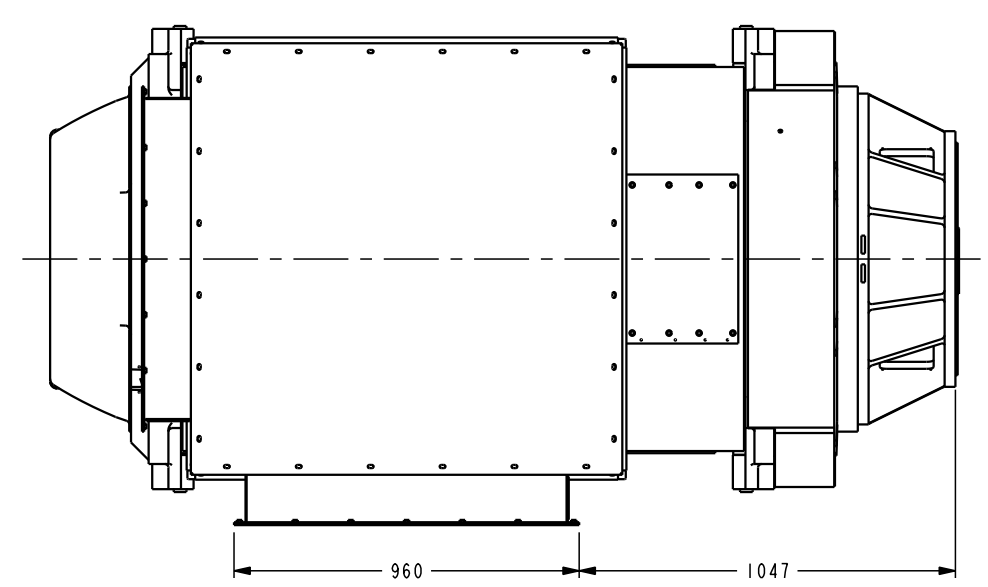
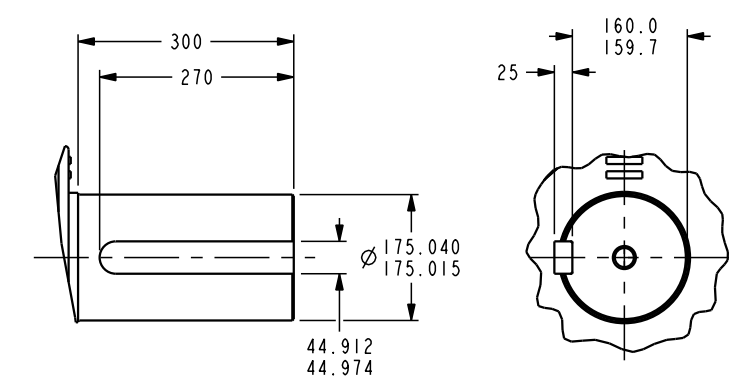


2 BEARING DETAIL
SCALE 1:10



NOMINAL WEIGHT BASED ON CAD MODEL 8116KG; NOT FOR INSPECTION

UNLESS OTHERWISE SPECIFIED, ALL DIMENSIONS ARE IN MILLIMETERS SCALE 1:10	SIM TO	DWN R. MACMENEMEY		CUMMINS GENERATOR TECHNOLOGIES	
	DO NOT SCALE PRINT	CKD A. SHAWYER		DRAWING, GENERAL ASSEMBLY	
THIS DOCUMENT (AND THE INFORMATION SHOWN THEREON) IS CONFIDENTIAL AND PROPRIETARY AND SHALL NOT BE DISCLOSED TO OTHERS IN HARD COPY OR ELECTRONIC FORM, REPRODUCED BY ANY MEANS, OR USED FOR ANY PURPOSE WITHOUT WRITTEN CONSENT OF CUMMINS INC.		APVD R. MACMENEMEY	SITE CODE	P80 HV W CORE / INTEGRATED FOOT / SAE0	
		DATE 30 JAN 08		STA	DWG SIZE A2
		FOR INTERPRETATION OF DIMENSIONING AND TOLERANCING, SEE ASME Y14.5-2009	FIRST USED ON	CAD SHEET	1 of 2



NOMINAL WEIGHT BASED ON CAD MODEL 8116KG; NOT FOR INSPECTION

UNLESS OTHERWISE SPECIFIED, ALL DIMENSIONS ARE IN MILLIMETERS	DO NOT SCALE PRINT	SCALE 1:10	DATE 30 JAN 08	APPD R. MACNEMEMY	STA AO	80-2461	CUMMINS GENERATOR TECHNOLOGIES DRAWING, GENERAL ASSEMBLY P80 HV W CORE / INTEGRATED FOOT / SAED	2 of 2
---	--------------------	------------	----------------	-------------------	--------	---------	---	--------