

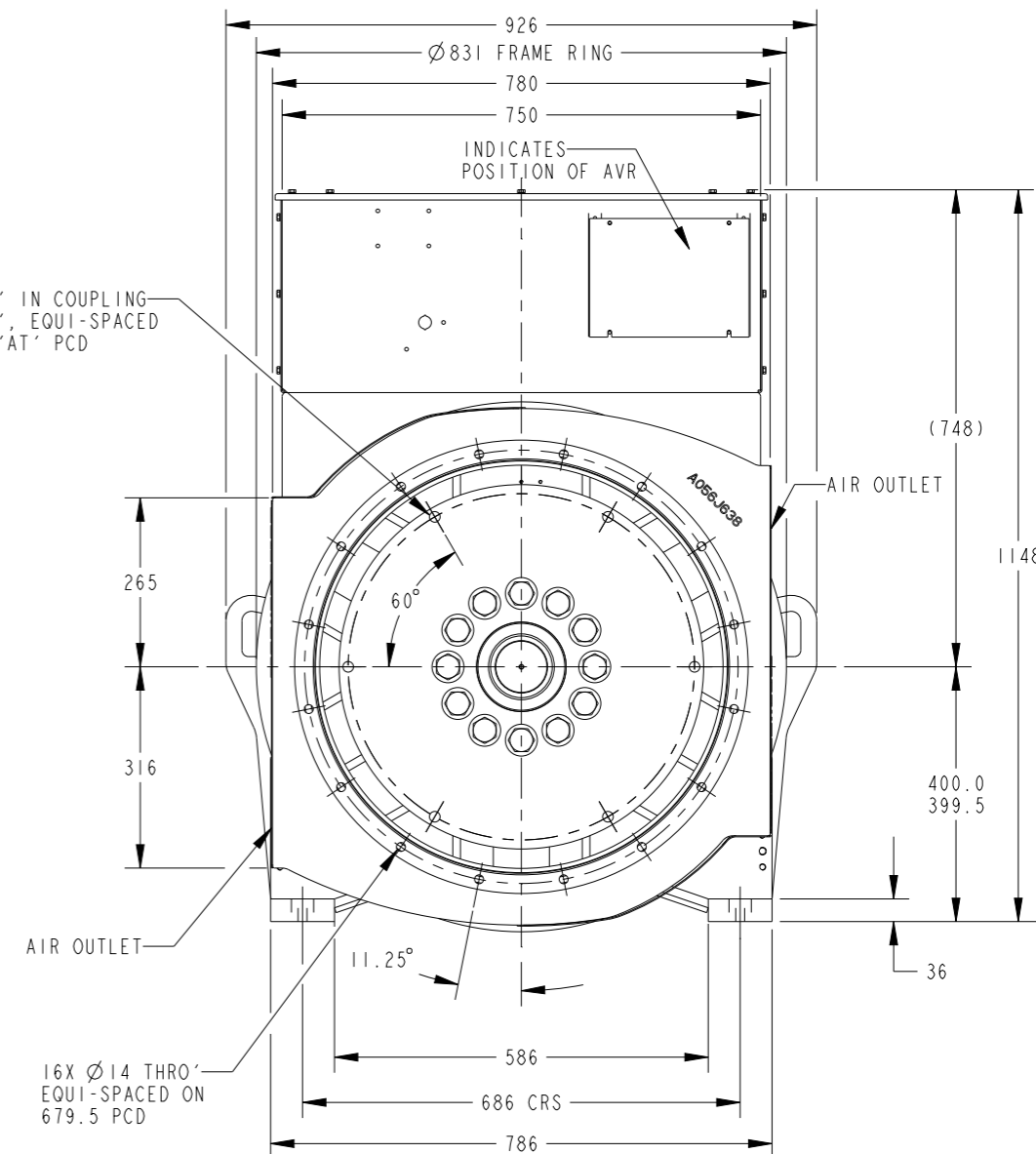
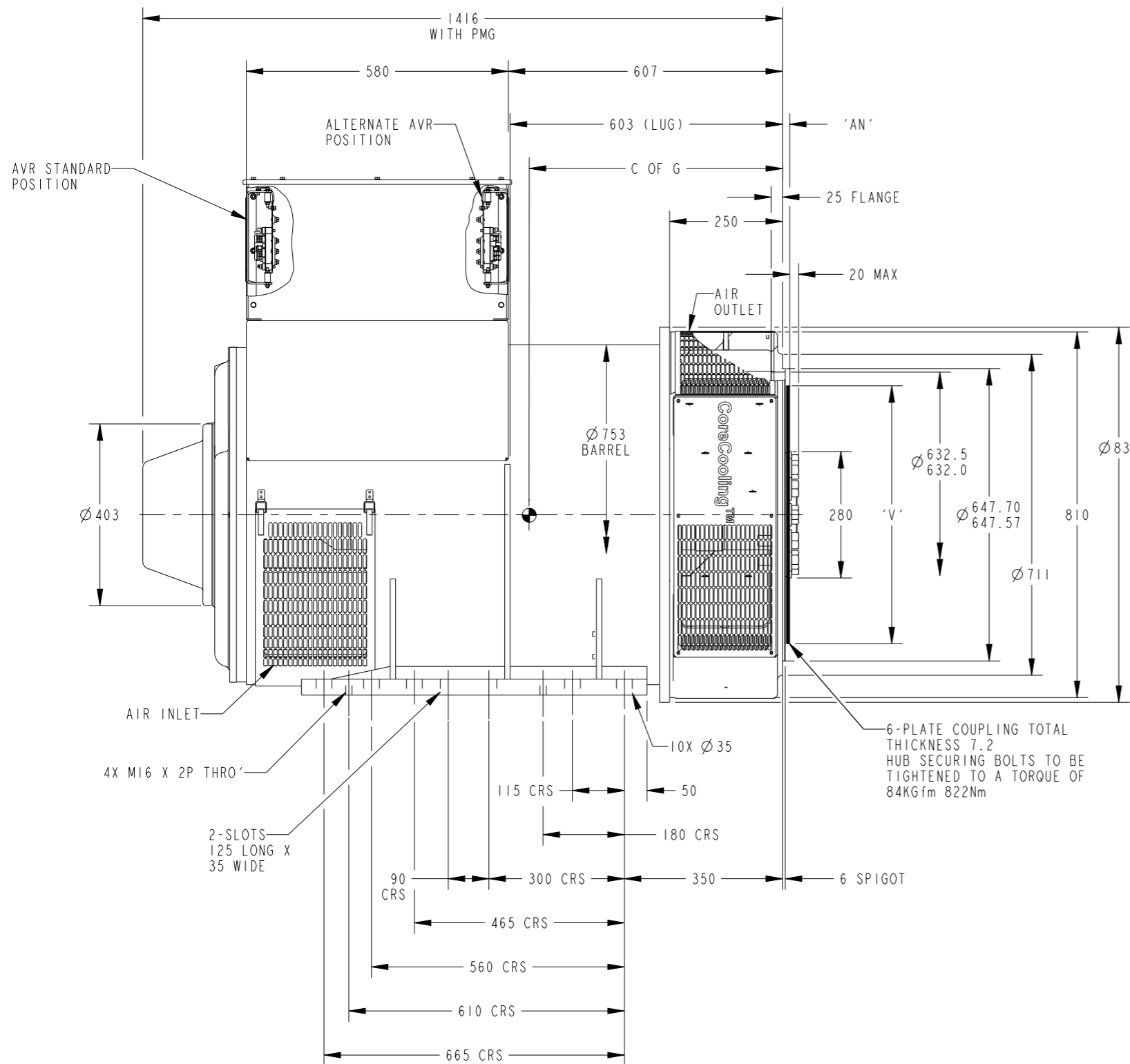
CORE	WEIGHT(KG)	C OF G
C	1897	622
D	1953	644

DISC COUPLINGS					
SAE NO.	AN	AR	AS	AT	V
14	25.4	8	∅13.5	438.1	∅466.67
18	15.87	6	∅16.7	543	∅571.45

REL NO	REV	NO	REVISION	DWN	CKD	APVD	DATE
ECO-174327	C	1	UPDATED VIEWS PICTORIALY	KP	RH	I.SAUNDATTI	18JAN18
		2	ZONE D4,C OF G FOR CORE C 622 WAS 600, FOR CORE D 644 WAS 617	KP	RH	I.SAUNDATTI	18JAN18
		3	ZONE D4, DIM 1416 WAS 1414, DIM 580 WAS 595	KP	RH	I.SAUNDATTI	18JAN18
		4	ZONE D3, RMV DIM 599.5, ADDED DIM 603	KP	RH	I.SAUNDATTI	18JAN18
		5	ZONE B1, DIM 36 WAS 34	KP	RH	I.SAUNDATTI	18JAN18

NOTE:

1. CUSTOMER MUST ENSURE THAT AIR INLET AND OUTLET POSITIONS ARE NOT OBSTRUCTED



UNLESS OTHERWISE SPECIFIED, ALL DIMENSIONS ARE IN MILLIMETERS	SIM TO	DWN	A_LAHEKAR		CUMMINS GENERATOR TECHNOLOGIES	
	DO NOT SCALE PRINT	CKD	S_KARMARKAR		DRAWING, GENERAL ASSEMBLY	
SCALE		APVD	I_SAUNDATTI	SITE CODE	S6LID-C/D, 1B SAE0-14/18, STD BOX	
0.130		DATE	27FEB17		STA	DWG SIZE
THIS DOCUMENT (AND THE INFORMATION SHOWN THEREON) IS CONFIDENTIAL AND PROPRIETARY AND SHALL NOT BE DISCLOSED TO OTHERS IN HARD COPY OR ELECTRONIC FORM, REPRODUCED BY ANY MEANS, OR USED FOR ANY PURPOSE WITHOUT WRITTEN CONSENT OF CUMMINS INC.	FOR INTERPRETATION OF DIMENSIONING AND TOLERANCING, SEE ASME Y14.5-2009	FIRST USED ON	S6		A056V328	CAD SHEET
						1 of 1