

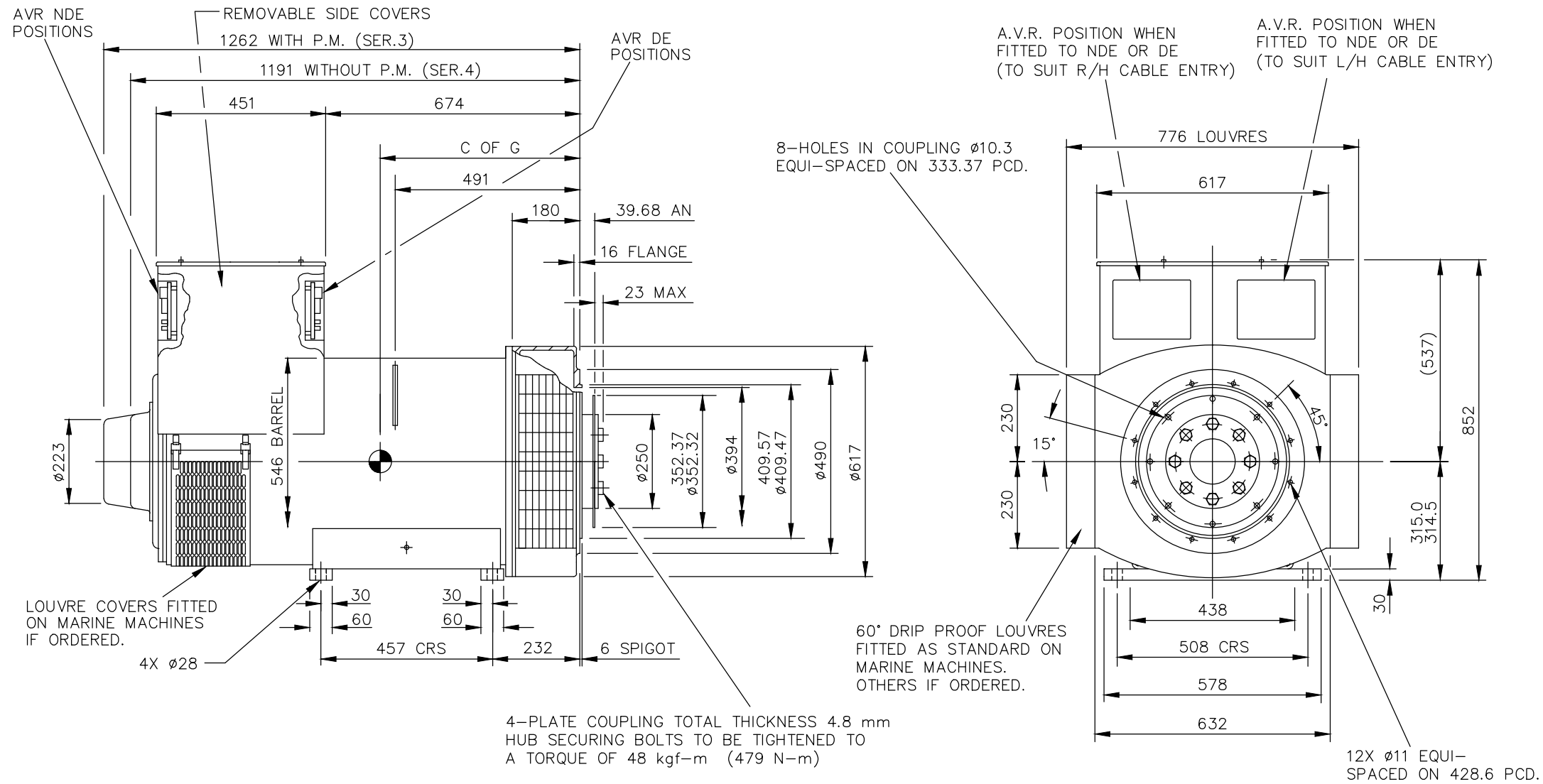
AutoCad

CORE	C OF G (mm)	WEIGHT(KG)
F	530	1160

REL NO	REV	NO	REVISION	DWN	CKD	APVD	DATE
ECO-172209	B	1	ZONE D4, ADDED WEIGHT (1160 KG) FOR F CORE	SA	PN	S_NARAYANAN	12SEP17
		2	IN TITLE BLOCK, DESCRIPTION S4L1S WAS S4	SA	PN	S_NARAYANAN	12SEP17

NOTE: -

- CUSTOMER MAY CUT CABLE ENTRY HOLES AS REQUIRED IN ANY OF THE FOUR TERMINAL BOX SIDES SUBJECT TO POSITION OF A.V.R, TERMINALS ETC.



UNLESS OTHERWISE SPECIFIED, ALL DIMENSIONS ARE IN MILLIMETERS	SIM TO 41-4562	DRAWN S_BALAMURUGAN
	DO NOT SCALE PRINT	CHECKED A_BIRARI
SCALE 1:10		APPROVED B_SURVE
THIS DOCUMENT (AND THE INFORMATION SHOWN THEREON) IS CONFIDENTIAL AND PROPRIETARY AND SHALL NOT BE DISCLOSED TO OTHERS IN HARD COPY OR ELECTRONIC FORM, REPRODUCED BY ANY MEANS, OR USED FOR ANY PURPOSE WITHOUT WRITTEN CONSENT OF CUMMINS INC.	DATE 31JAN17	DATE 31JAN17
	FOR INTERPRETATION OF DIMENSIONING AND TOLERANCING, SEE ASME Y14.5-2009	FIRST USED ON S4

	CUMMINS GENERATOR TECHNOLOGIES	
	DRAWING, GENERAL ASSEMBLY	
SITE CODE	S4L1S F 1-BRG SAE3/11.5, STD T/BOX	
DWG SIZE A4	A057B592	CAD SHEET 1 of 1