

AutoCad

CORE	C OF G
F	565

REL NO	REV	NO	REVISION	DWN	CKD	APVD	DATE
ECO-178473	A	1	PRODUCTION RELEASE	VDS	DGL	K.WEJRZANOWSKI	25JUN18

NOTE: -
 1. CUSTOMER MAY CUT CABLE ENTRY HOLES AS REQUIRED IN ANY OF THE FOUR TERMINAL BOX SIDES SUBJECT TO POSITION OF AVR, TERMINALS, ETC.

D

D

C

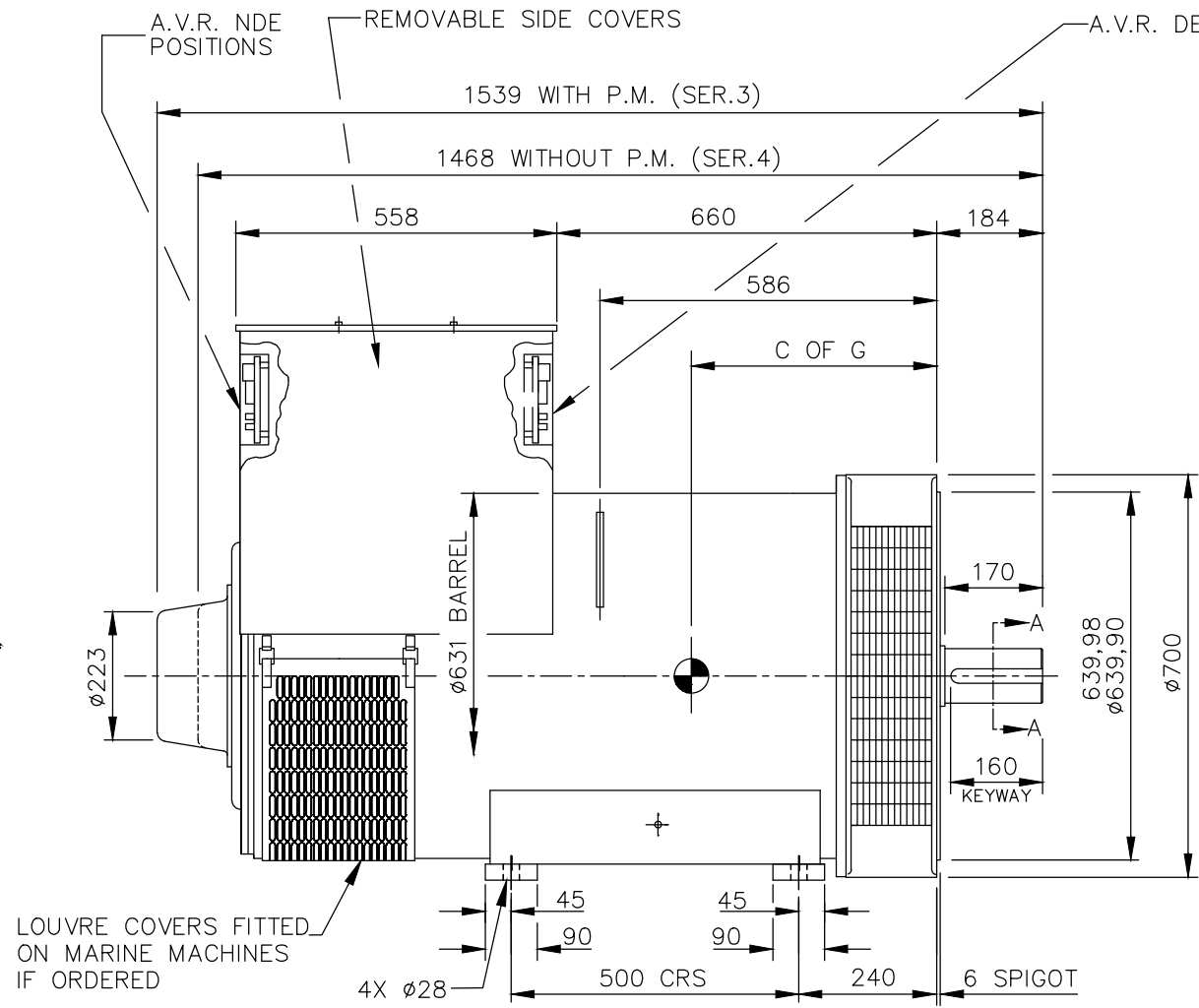
C

B

B

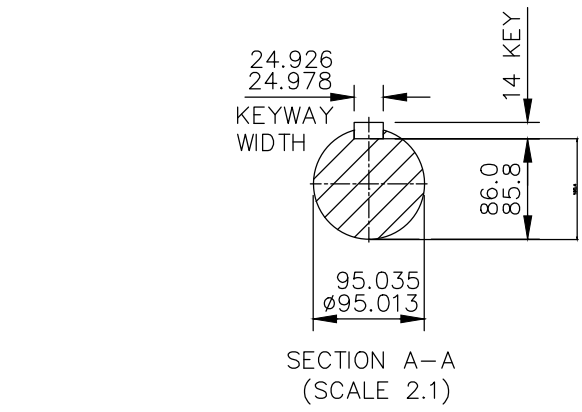
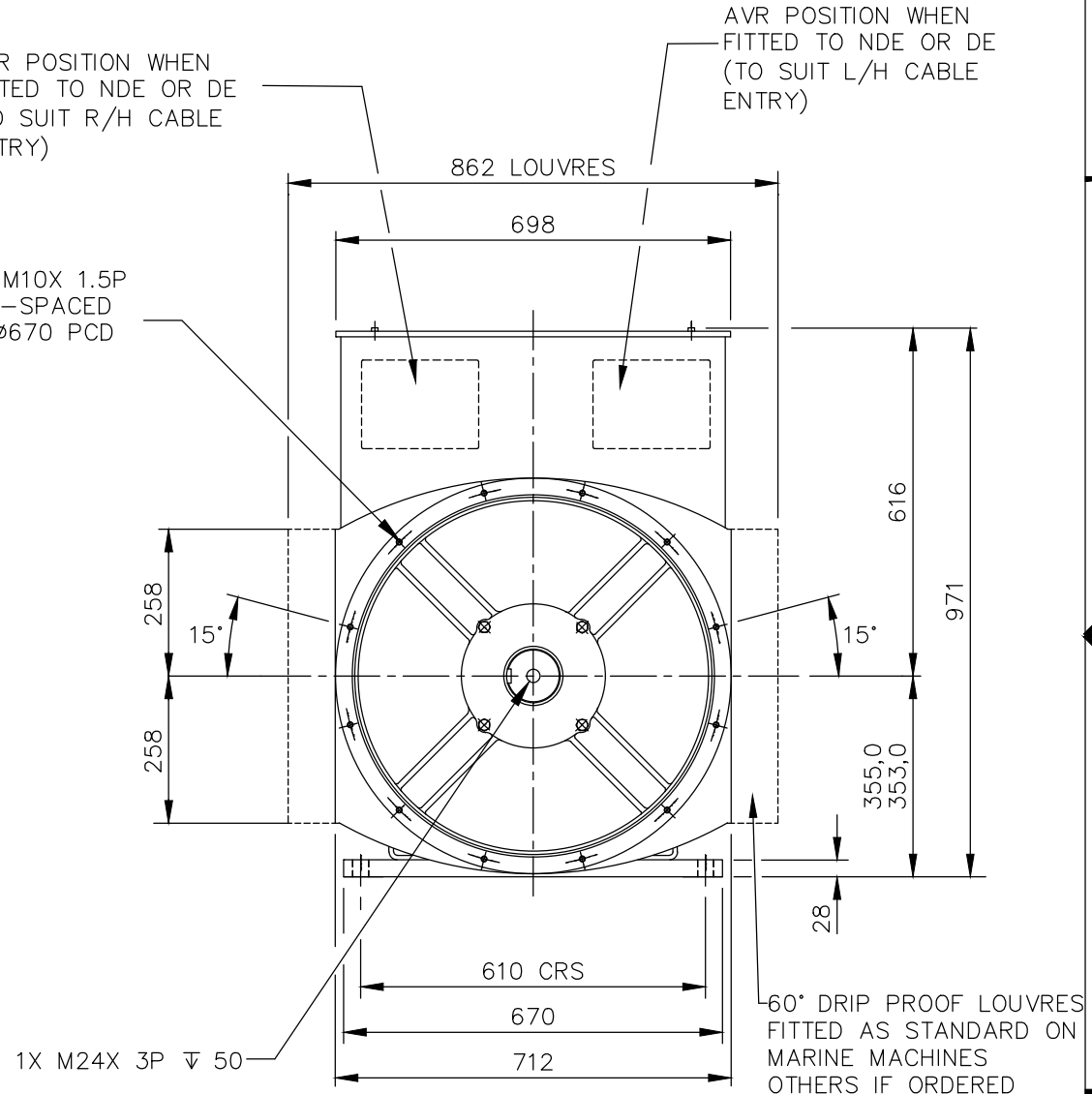
A

A



AVR POSITION WHEN FITTED TO NDE OR DE (TO SUIT R/H CABLE ENTRY)

12X M10X 1.5P EQUI-SPACED ON Ø670 PCD



UNLESS OTHERWISE SPECIFIED, ALL DIMENSIONS ARE IN MILLIMETERS	SIM TO 52-4734	DRAWN V.SHIPPARKAR		CUMMINS GENERATOR TECHNOLOGIES	
	DO NOT SCALE PRINT	CHECKED D.LEE		DRAWING, GENERAL ASSEMBLY	
SCALE 0.90		APPROVED K.WEJRZANOWSKI	SITE CODE	S5L1S F 2-BRG, NO ADAPTOR	
THIS DOCUMENT (AND THE INFORMATION SHOWN THEREON) IS CONFIDENTIAL AND PROPRIETARY AND SHALL NOT BE DISCLOSED TO OTHERS IN HARD COPY OR ELECTRONIC FORM. REPRODUCED BY ANY MEANS, OR USED FOR ANY PURPOSE WITHOUT WRITTEN CONSENT OF CUMMINS INC.	FOR INTERPRETATION OF DIMENSIONING AND TOLERANCING, SEE ASME Y14.5-2009	DATE 25JUN18		STA	DWG SIZE A4
		FIRST USED ON S5		A056V001	