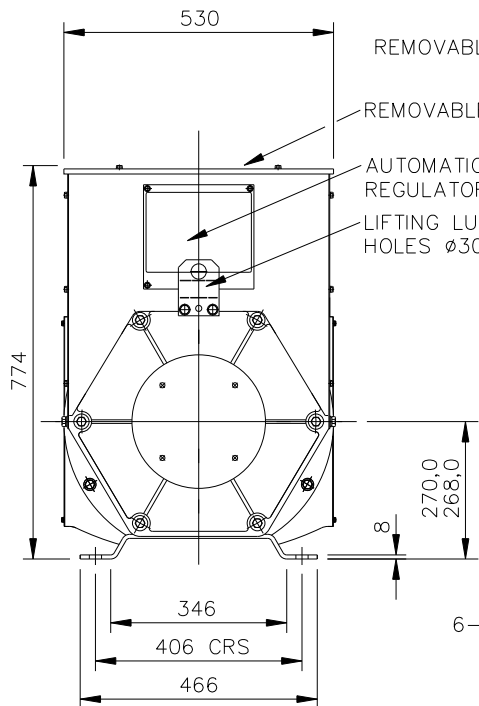
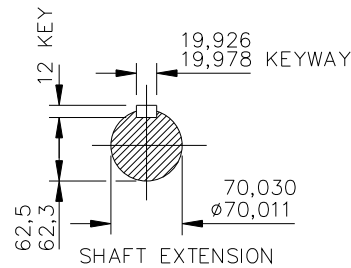


REL NO	REV	DETAILS	DWN	CDK	APVD	DATE
ECO-143540	E	ADDED UCG IN TITLE	SS	SPA	SPA	12MAY14

CORE	C OF G	NETT WT.kg
C	294	394
D	304	418
E	319	481
F	344	519
G	364	571
H	384	617

DIMENSIONS			
FRAME	A	B	C
274C/D	905	842	215
274E/F	1020	957	330
274G	1070	1007	380
274H	1110	1047	420



REMOVABLE SIDE COVERS

REMOVABLE LID

AUTOMATIC VOLTAGE REGULATOR COVER

LIFTING LUG HOLES $\phi 30$

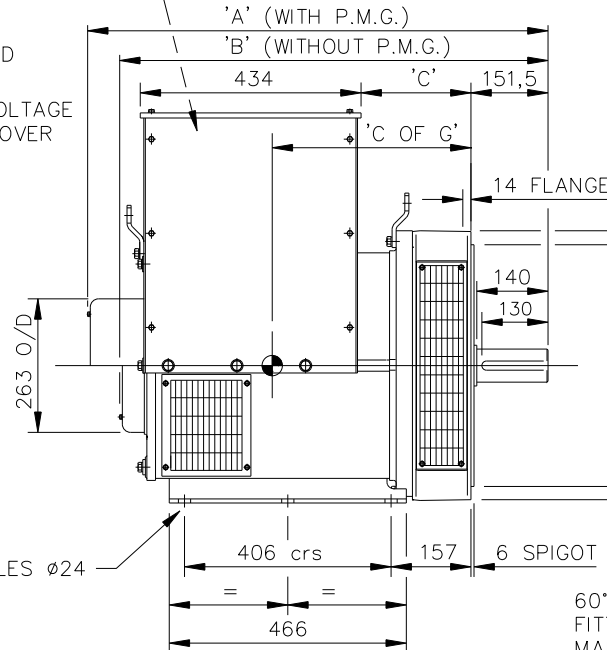
270,0
268,0

8

346

406 CRS

466



'A' (WITH P.M.G.)

'B' (WITHOUT P.M.G.)

434

'C'

151,5

'C OF G'

140

130

14 FLANGE

140

130

475,03

$\phi 474,97$

$\phi 52,7$

6-HOLES $\phi 24$

406 crs

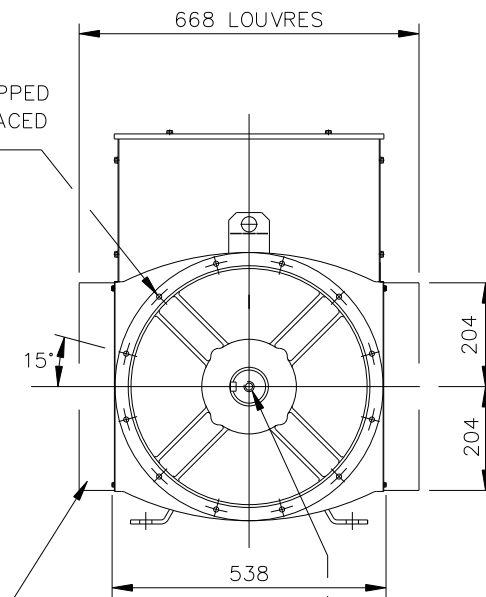
157

6 SPIGOT

466

12-HOLES TAPPED M10 EQUI-SPACED ON 500 PCD

60° DRIP PROOF LOUVRES :
FITTED AS STANDARD ON MARINE MACHINES.
FITTED ON OTHER MACHINES IF SPECIFIED ON ORDER



668 LOUVRES

15°

1-HOLE TAPPED M20 x 2,5P x 40 DEEP

UNLESS SPECIFIED ALL DIMENSIONS ARE IN MILLIMETERS			CUMMINS GENERATOR TECHNOLOGIES	
DO NOT SCALE PRINT	DRAWN JES		DRAWING, GENERAL ASSEMBLY UC274/UCG274 C-H 2-BRG WITHOUT ADAPTOR	
	CHECKED PJW	SITE CODE	DWG SIZE A2	SHEET 1
	APPROVED DPC			
CONFIDENTIAL	DATE 29APR91			
PROPERTY OF CUMMINS GENERATOR TECHNOLOGIES	SCALE 1:10	FIRST USED ON ---	33-2005	