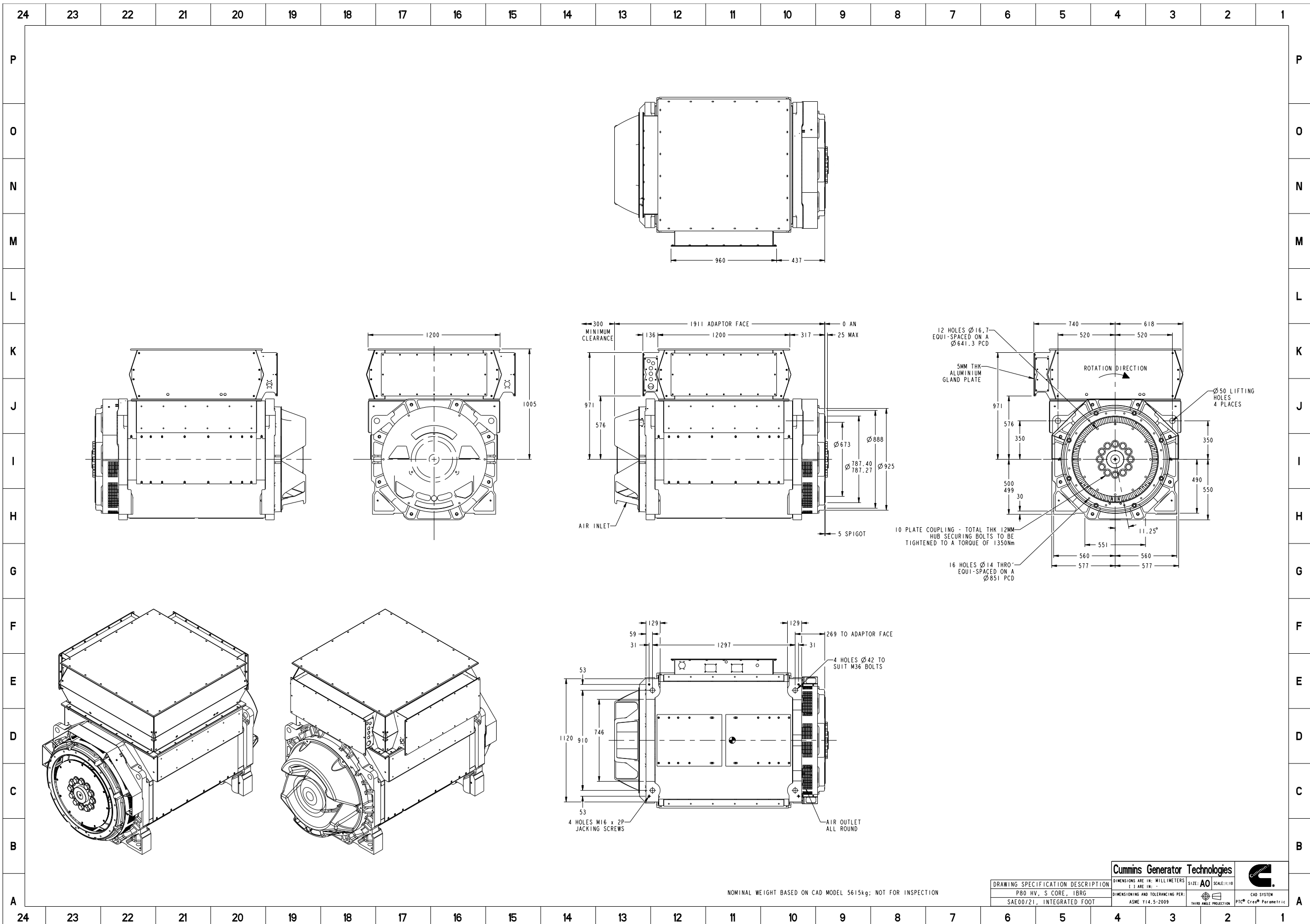


Document Generated: 12MAR2020 04:04 GMT



Document Generated: 12MAR2020 04:04 GMT

Cummins Data Classification:
Cummins Confidential

This document (and the information shown thereon) is **Confidential and Proprietary** and shall not be disclosed to others in hard copy or electronic form, reproduced by any means, or used for any purpose without written consent of Cummins Inc.

Part Number: **80-2486** Part Revision: **C**
 Part Name: **ARRANGEMENT, GENERATOR GENERAL**
 Drawing Category: **Outline (Tabulation)** State: **Released** Sheet 2 of 3

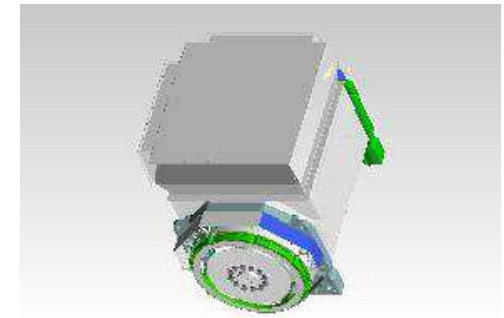
DRAWING SPECIFICATION DESCRIPTION	Cummins Generator Technologies		
	DIMENSIONS ARE IN: MILLIMETERS () ARE IN: -		
P80 HV, S CORE, IBRG SAE00/21, INTEGRATED FOOT		SIZE: A0 SCALE: 1:10	
DIMENSIONING AND TOLERANCING PER: ASME Y14.5-2009		THIRD ANGLE PROJECTION	

NOMINAL WEIGHT BASED ON CAD MODEL 5615kg; NOT FOR INSPECTION



Part Number: 80-2486

Change Notice	CN00011905	Alternates	
Manufacturer Part (MEP)	No	Usage	Production Only
Release Phase Code	Production (P)	Drawing Specification	DS80-2486
External Regulations	No External Regulation		



3D image provided when available for visual reference only.

Associated Specifications

Number	Name	Type	Category	Sub-Category
ESA030B356	SPECIFICATION,MATERIAL	Engineering Specification	Material Specification	Prohibited and Restricted Prohibited and Restricted

Drawing Revision Information

Description of Change(s)
SHEET 1 ZONE B3 & B4: DIM 577 WAS 648 SHEET 1 ZONE F7: 12 HOLES WAS 6 HOLES. SHEET 1 ZONE A9: WIGHT 5373KG WAS 5425KG

Drawing Authorization

Drafter	Bhushan Ashok Surve	Date	11MAR2020
Checker	Sachin Ashok Ugale	Date	12MAR2020
Approver	NO APPROVAL REQUIRED	Date	

Document Generated: 12MAR2020 04:04 GMT