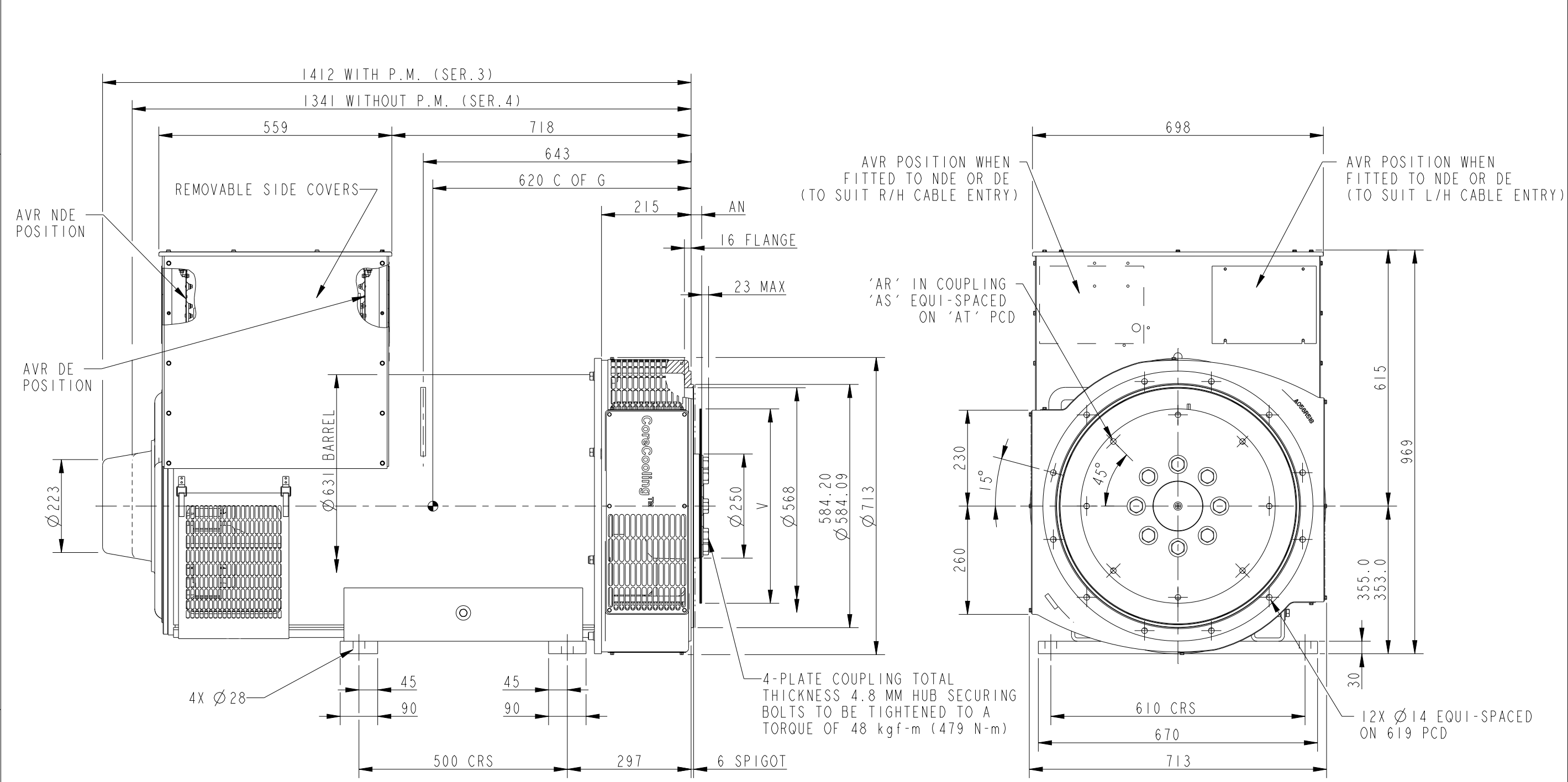


DISC COUPLING					
SAE NO	AN	AR	AS	AT	V
14	25.4	8	∅13.5	438.1	∅466.67
18	15.87	6	∅16.7	543	∅571.45

REL NO	REV	NO	REVISION	DWN	CKD	APVD	DATE
ECO-179425	B	1	ZONE A1, DIM 619 PCD WAS 679.5	SAU	DGL	K.WEJRZANOWSKI	09AUG18

NOTE:

1. CUSTOMER MAY CUT CABLE ENTRY HOLES AS REQUIRED IN ANY OF THE FOUR TERMINAL BOX SIDES SUBJECT TO POSITION OF AVR, TERMINAL, ETC.



UNLESS OTHERWISE SPECIFIED, ALL DIMENSIONS ARE IN MILLIMETERS	SIM TO 52-4662	DWN S.UGALE		CUMMINS GENERATOR TECHNOLOGIES	
	DO NOT SCALE PRINT	CKD D.LEE		DRAWING, GENERAL ASSEMBLY	
SCALE 0.150		APVD K.WEJRZANOWSKI	SITE CODE	S5L1D F 1B SAE0.5-14/18 STD FOOT & T/BOX	
THIS DOCUMENT (AND THE INFORMATION SHOWN THEREON) IS CONFIDENTIAL AND PROPRIETARY AND SHALL NOT BE DISCLOSED TO OTHERS IN HARD COPY OR ELECTRONIC FORM, REPRODUCED BY ANY MEANS, OR USED FOR ANY PURPOSE WITHOUT WRITTEN CONSENT OF CUMMINS INC.	FOR INTERPRETATION OF DIMENSIONING AND TOLERANCING, SEE ASME Y14.5-2009	DATE 30JUL18		STA	DWG SIZE A2
		FIRST USED ON S5			CAD SHEET 1 of 1