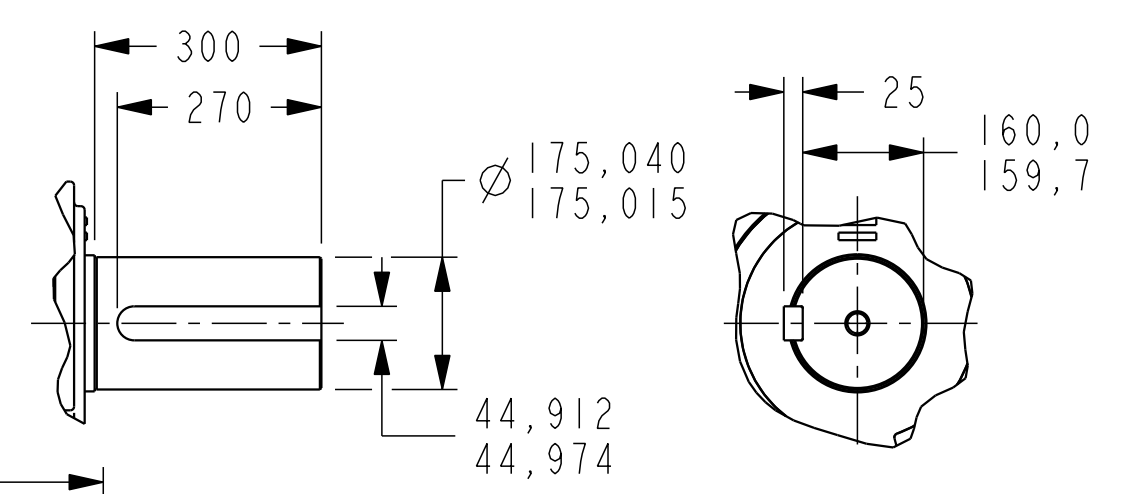
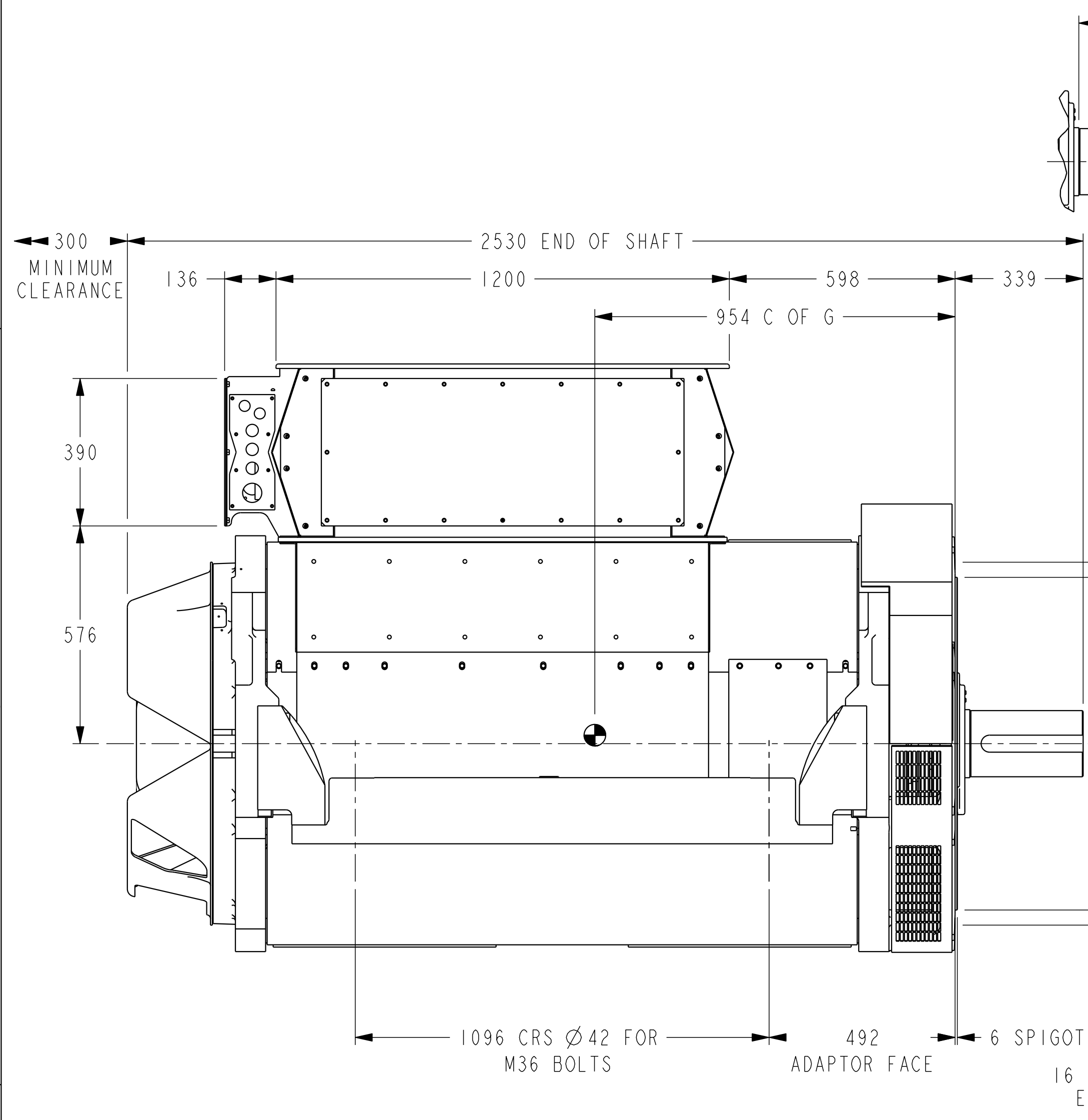
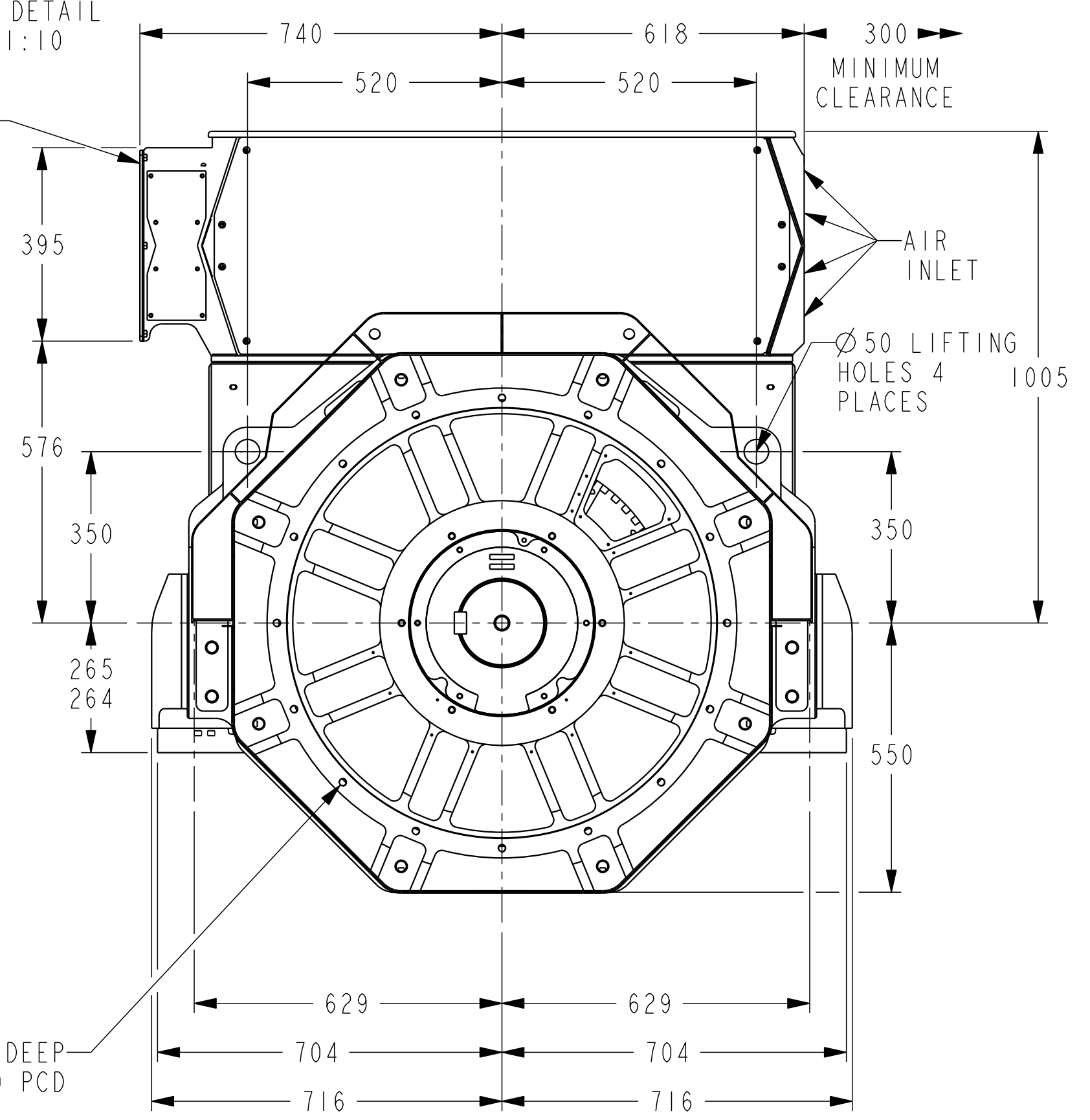


REL NO	REV	DETAIL	DWN	CKD	APVD	DATE
ECO-133688	B	DRAWING UPDATED TO LATEST FORMAT.	AGS	AS	AS	04APR13



2 BEARING DETAIL SCALE 1:10

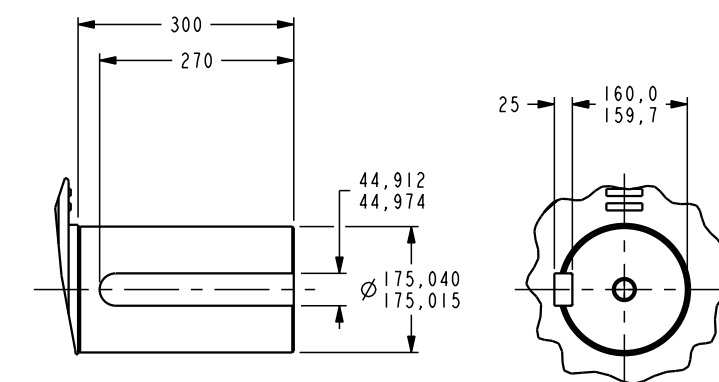
5MM THK ALUMINIUM GLAND PLATE



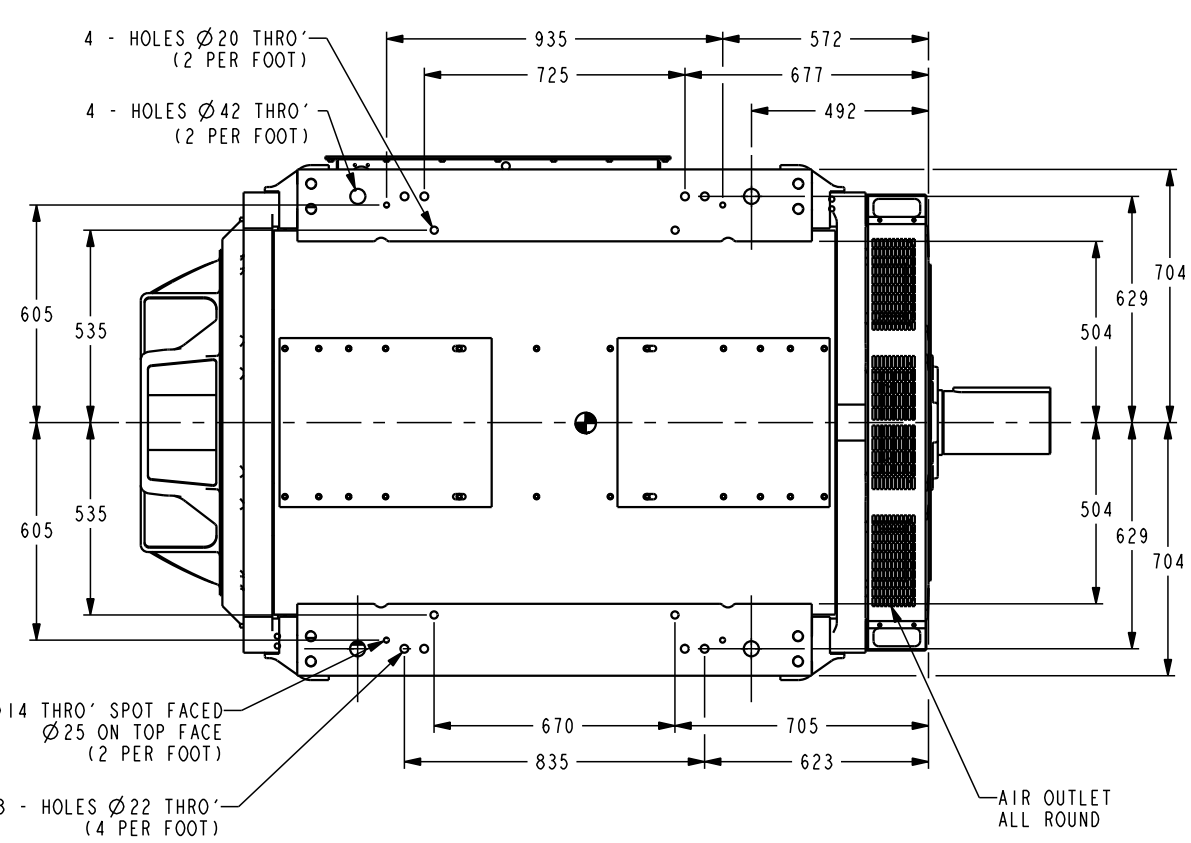
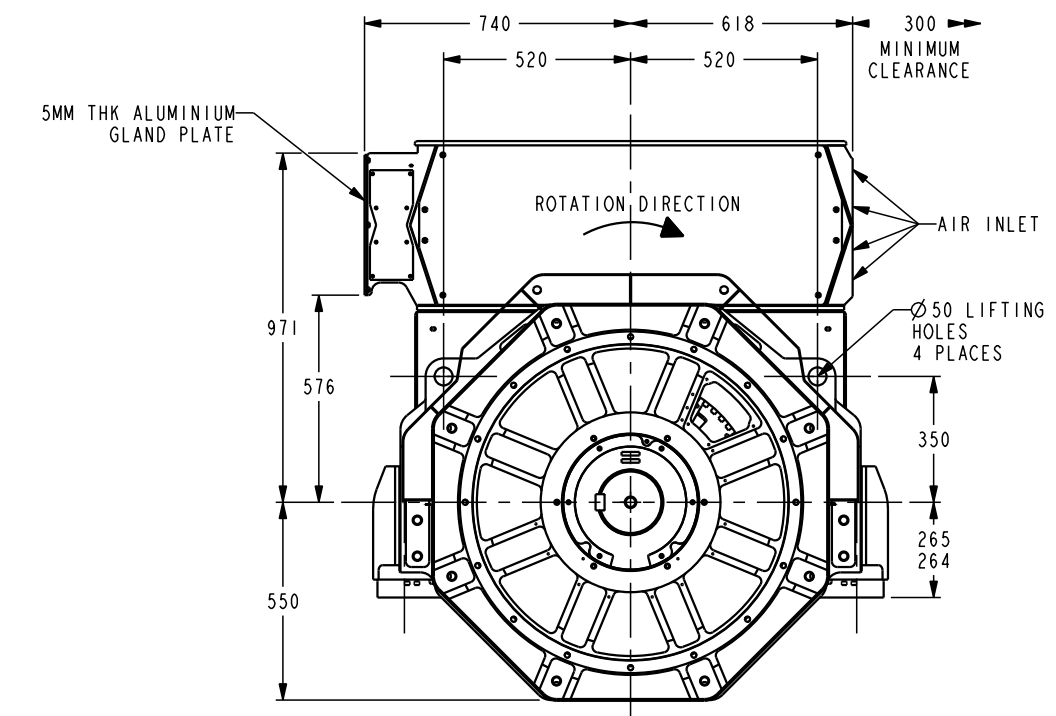
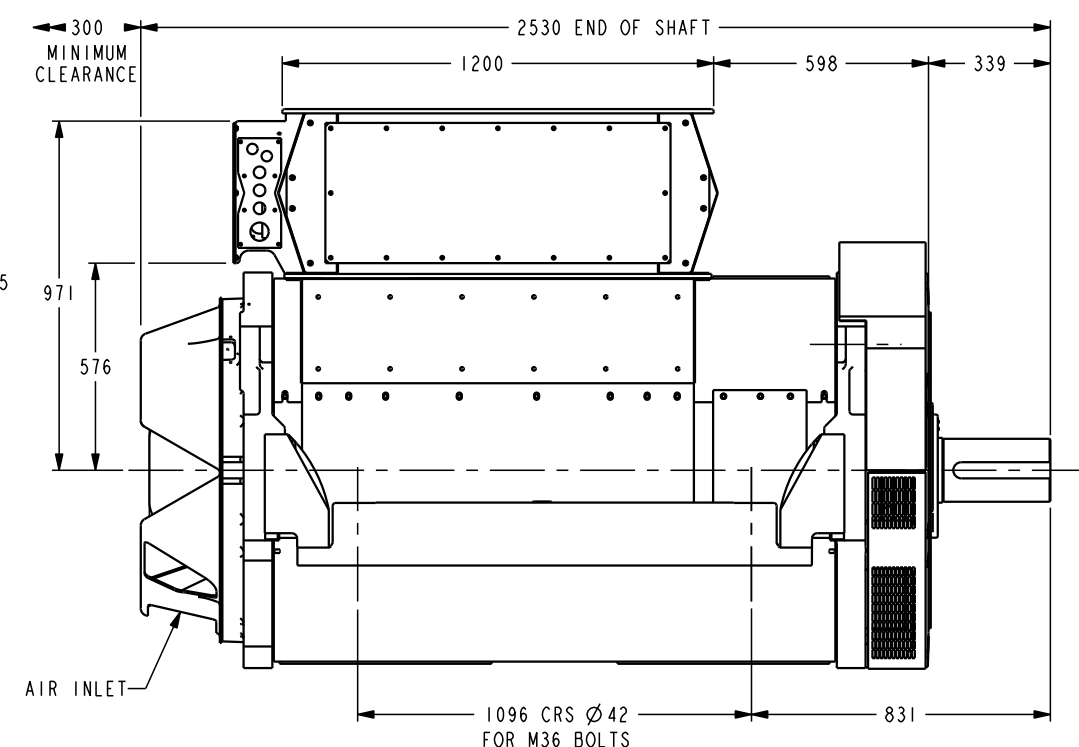
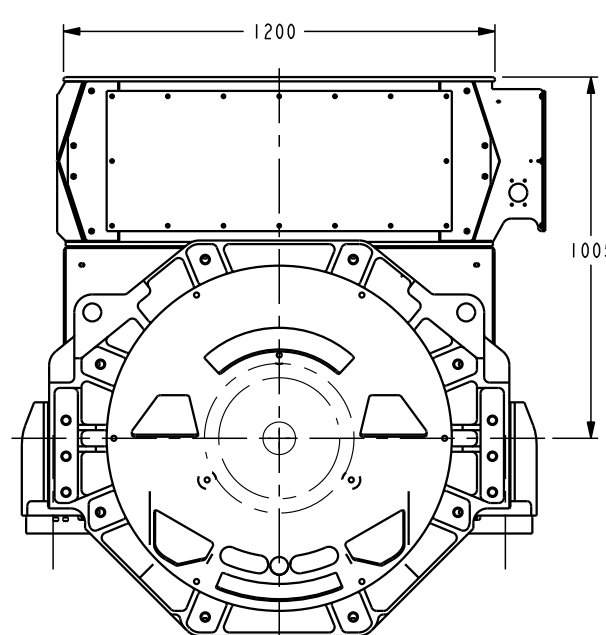
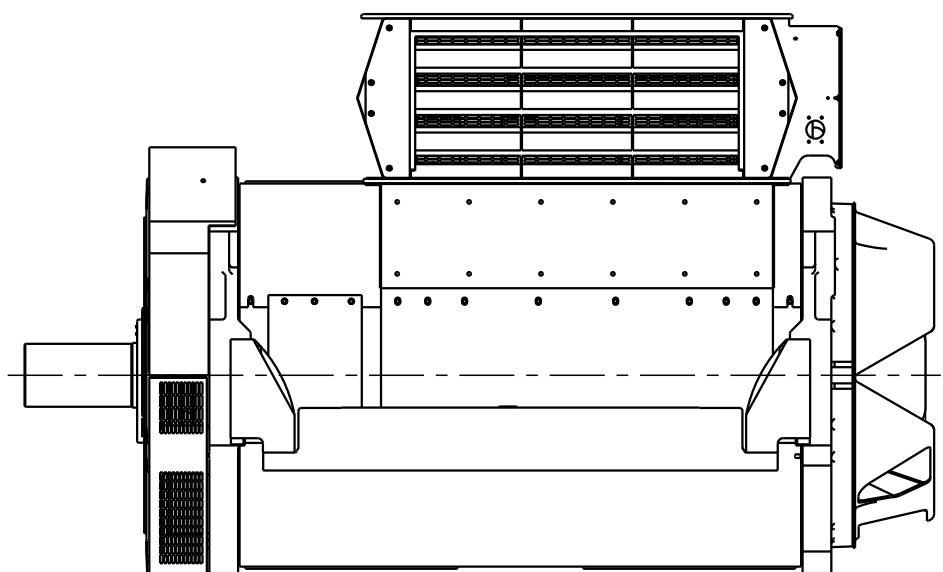
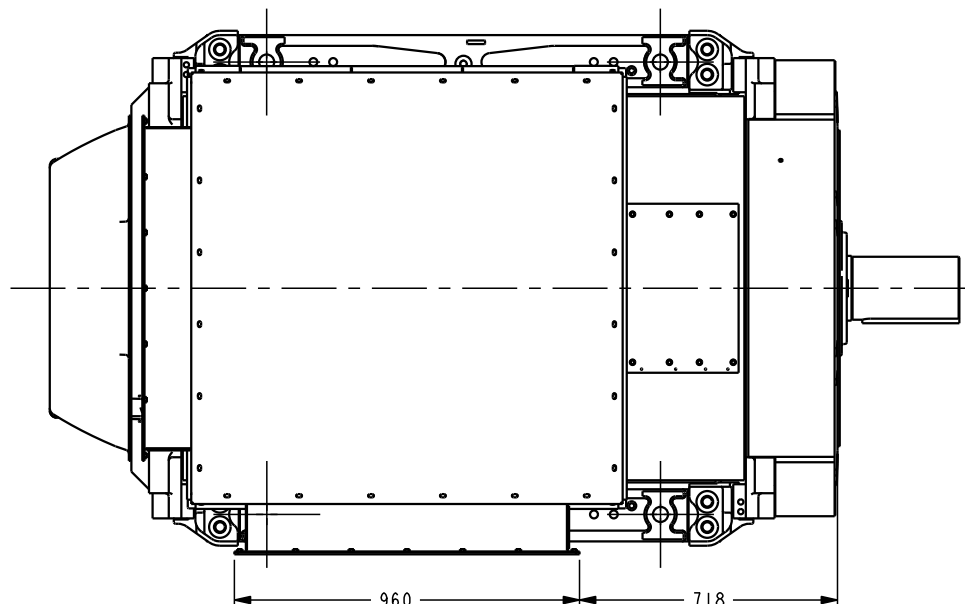
ESTIMATED WEIGHT 8686 KG.

UNLESS OTHERWISE SPECIFIED, ALL DIMENSIONS ARE IN MILLIMETERS		SIM TO		DWN RM		CUMMINS GENERATOR TECHNOLOGIES	
DO NOT SCALE PRINT		DO NOT SCALE PRINT		CKD RM			
DIM		HOLE		APVD AS		GENERAL ARRANGEMENT P80 LV Y - CORE	
X ± 1	0.00 - 4.99	0.15 / -0.08		DATE 10OCT06			
X.X ± 0,1	5.00 - 9.99	0.20 / -0.10		SITE CODE		STA A2 80-2355	
X.XX ± 0,01	10.00 - 17.49	0.25 / -0.13		FIRST USED ON			
ANG TOL: ± 0,5°		SCALE: 1:10		- CONFIDENTIAL - PROPERTY OF CUMMINS GENERATOR TECHNOLOGIES		SHEET 1 REV B	

REV NO	REV	DETAIL	OWN	CD	APPD	DATE
ECO-133688	B	DRAWING UPDATED TO LATEST FORMAT.	AGS	AS	AS	04APR13



2 BEARING SHAFT DETAIL
SCALE 1:5



FRAME	P80
CORE LENGTH	Y
VOLTAGE RATING	LV
BEARINGS	2
CENTRE HEIGHT	SIDE FEET
ADAPTOR	NONE
COUPLING	NONE
ENCLOSURE	IP23
CABLE ENTRY FROM DE	LEFT

ESTIMATED WEIGHT 8686 KG.

UNLESS OTHERWISE SPECIFIED, ALL DIMENSIONS ARE IN MILLIMETERS	DO NOT SCALE PRINT	DATE 10OCT06	PROPERTY OF CUMMINS GENERATOR TECHNOLOGIES
X ± 1	0.00-4.99 +0.15/-0.08	APPROVED	CONFIDENTIAL
X.X ± 0.1	5.00-9.99 +0.20/-0.10	DATE 10OCT06	PROPERTY OF CUMMINS GENERATOR TECHNOLOGIES
X.XX ± 0.01	10.00-17.49 +0.25/-0.13	DATE 10OCT06	PROPERTY OF CUMMINS GENERATOR TECHNOLOGIES
X.XXX ± 0.001	17.50-24.99 +0.30/-0.13	DATE 10OCT06	PROPERTY OF CUMMINS GENERATOR TECHNOLOGIES
ANG TOL: ± 0.5°	SCALE: 1:10	DATE 10OCT06	PROPERTY OF CUMMINS GENERATOR TECHNOLOGIES

REV	DATE	BY	CHKD	APPD
2				

STA	AD	80-2355	SHEET	2	REV	B
-----	----	---------	-------	---	-----	---