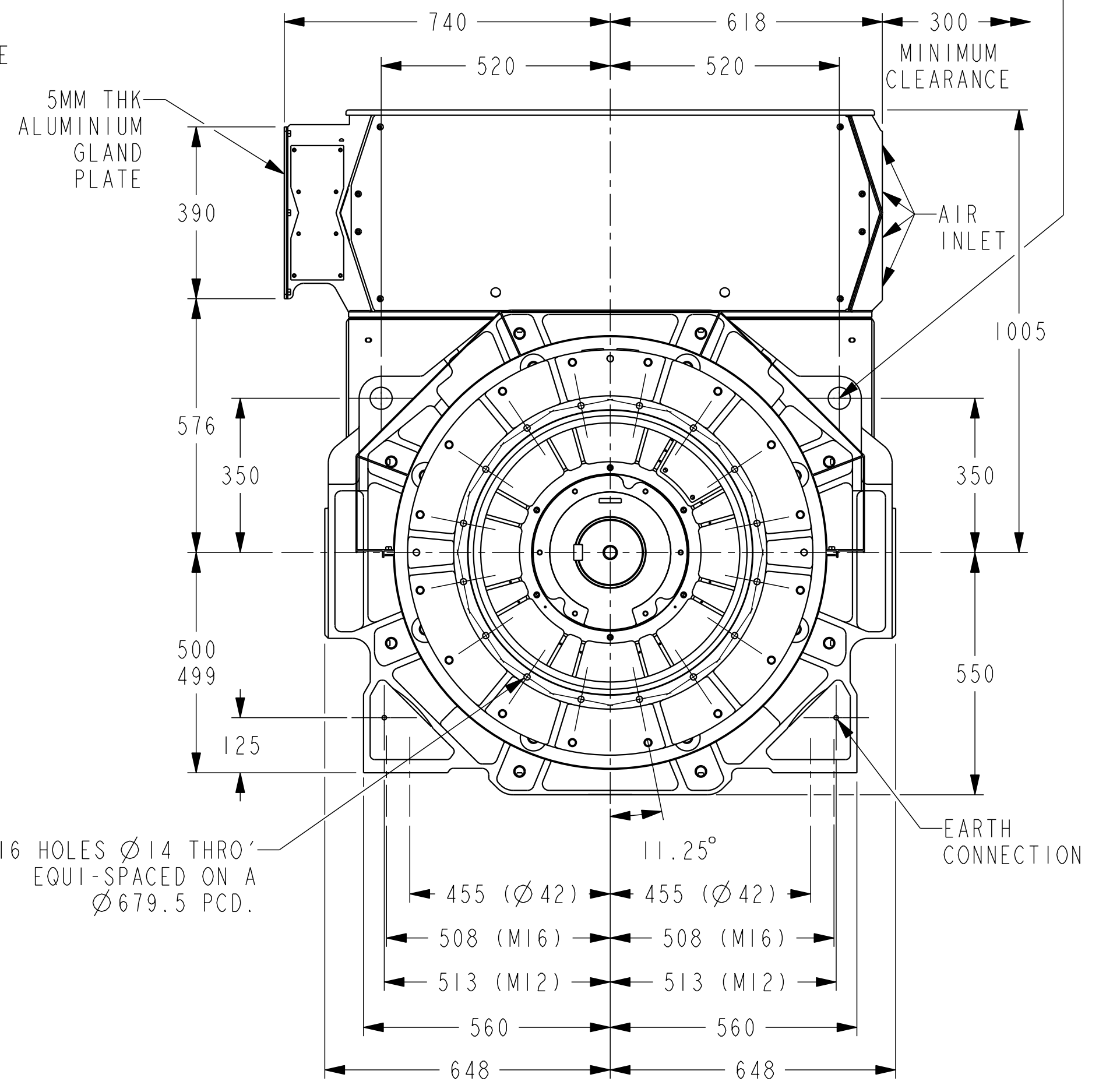
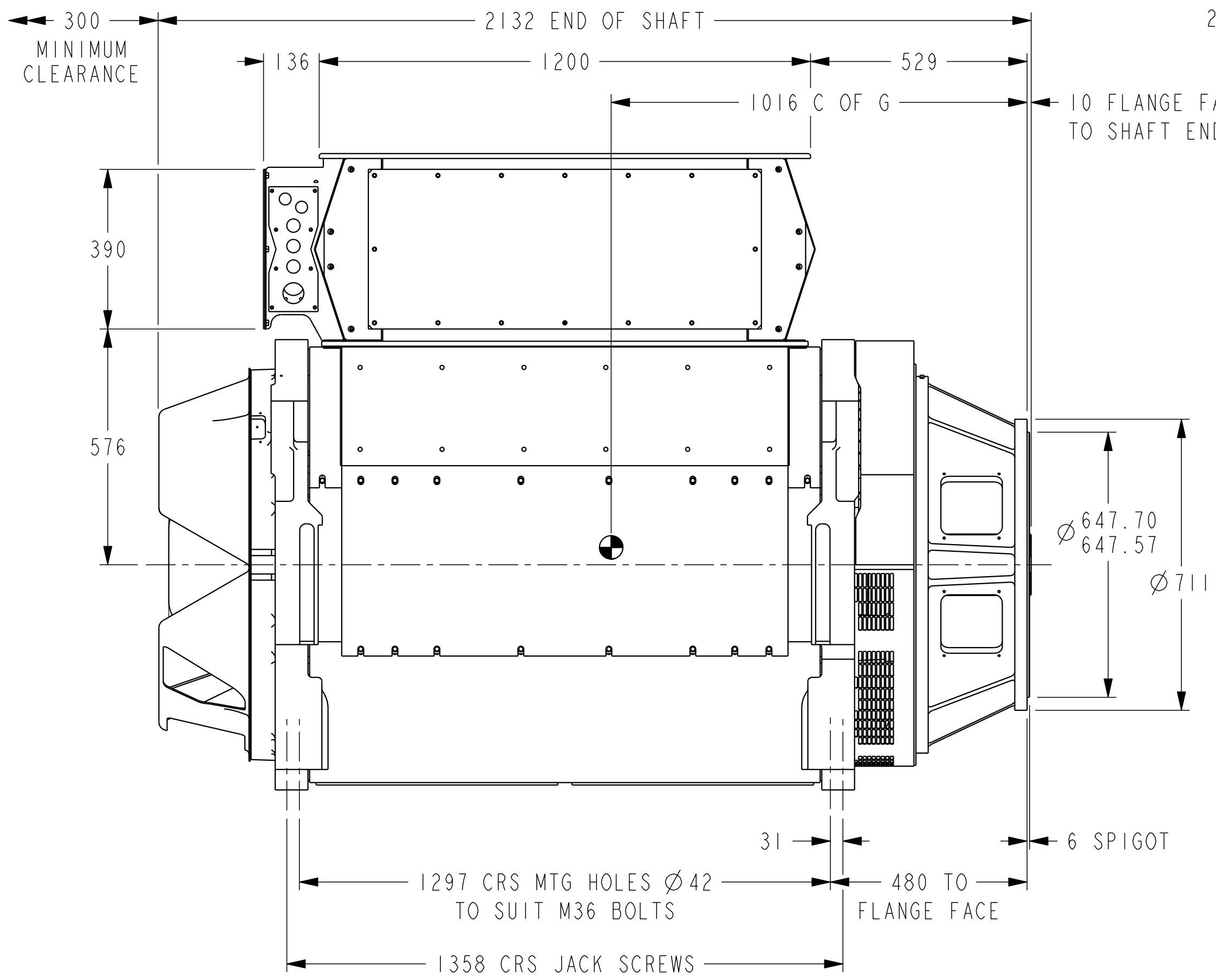
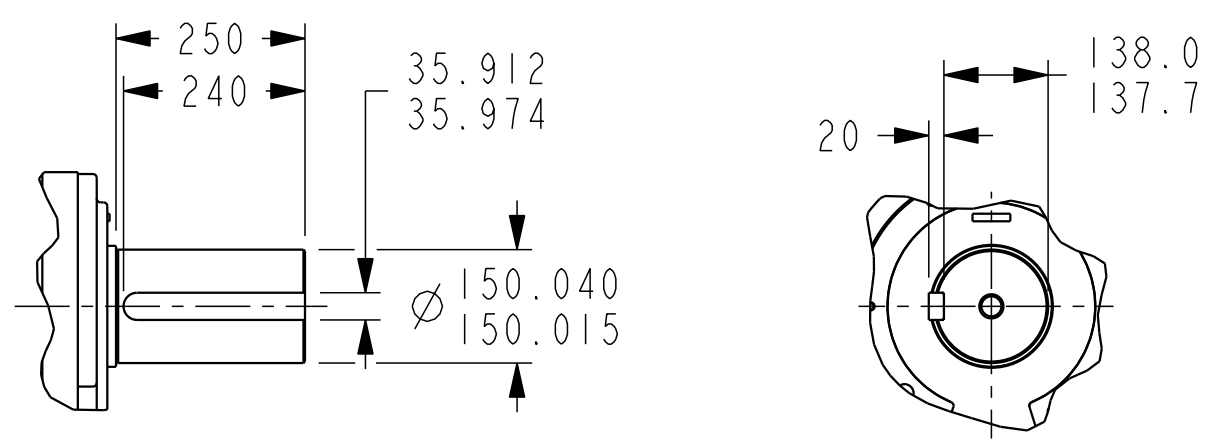


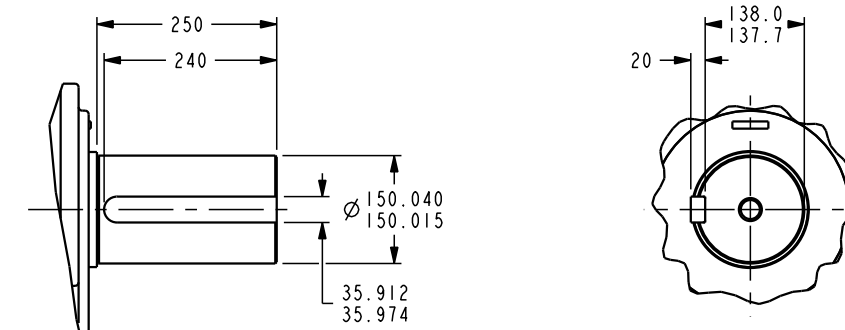
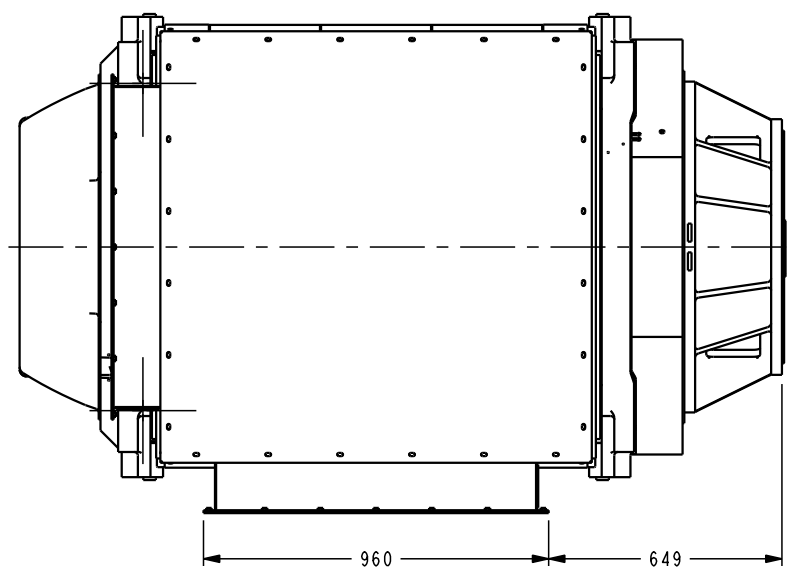
REL NO	REV	NO	REVISION	DWN	CKD	APVD	DATE
ECO-165380	B	1	DRAWING BORDER UPDATED. DIRECTION OF ROTATION ARROW REMOVED	AS	AS	D.LEE	07OCT16



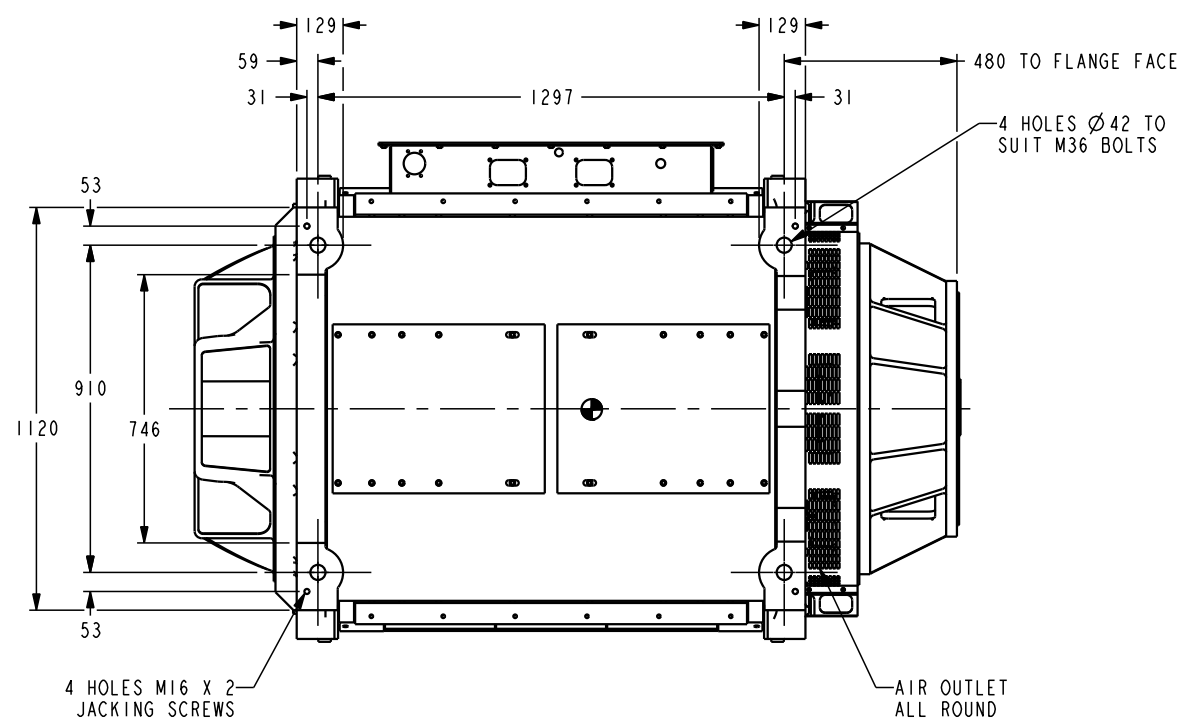
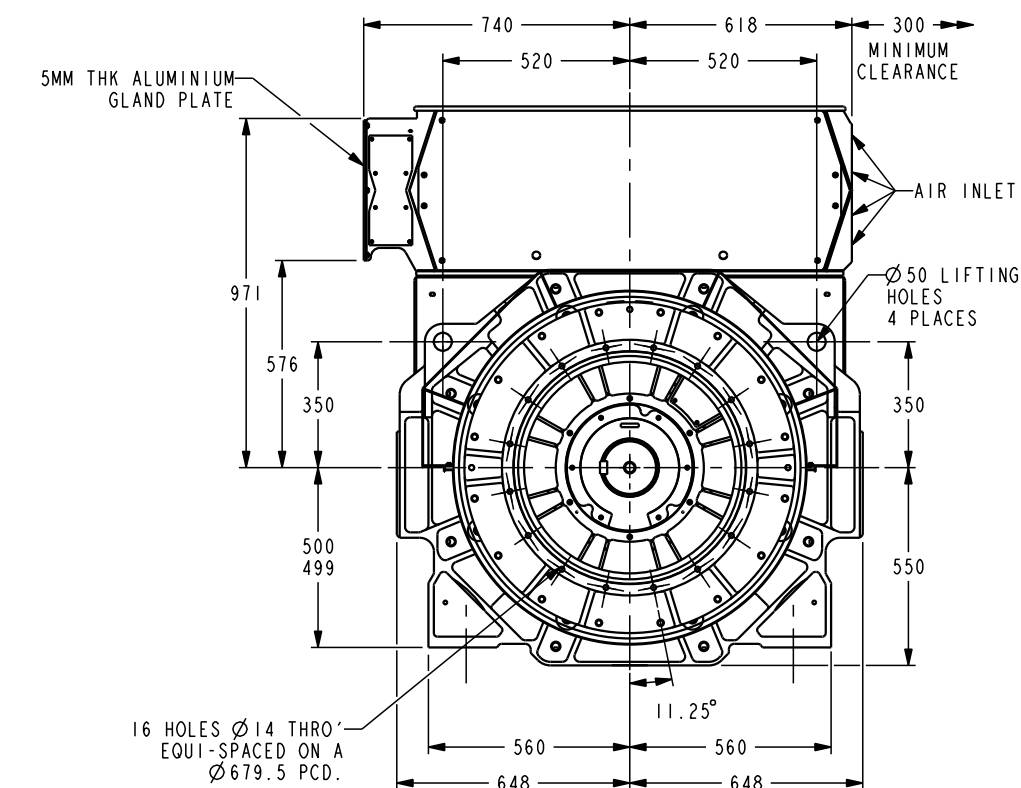
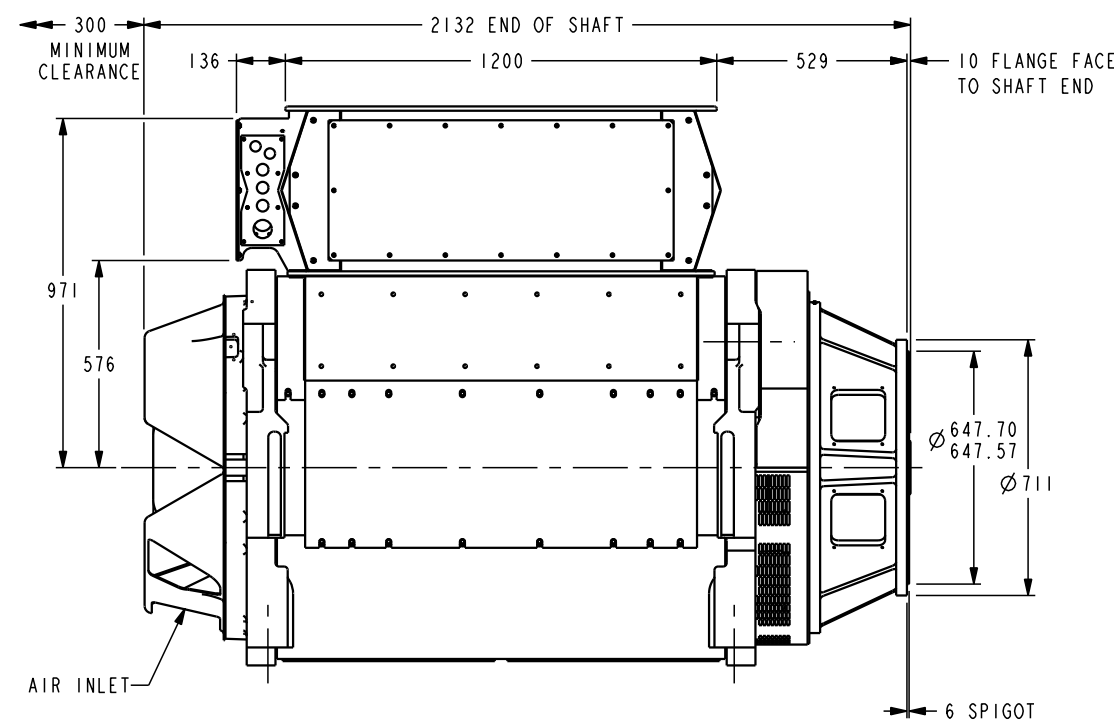
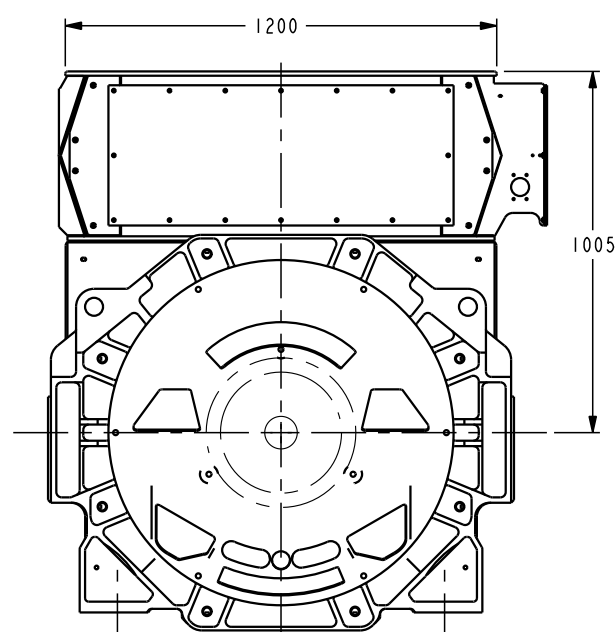
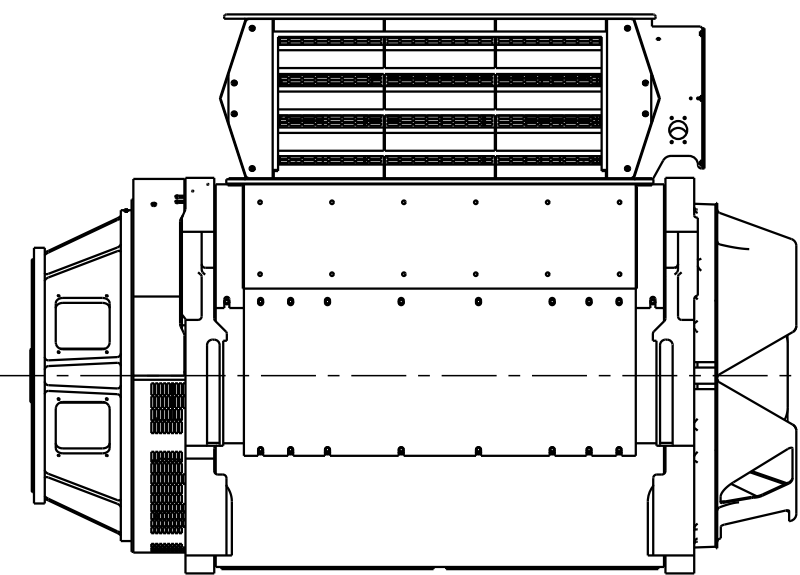
NOMINAL WEIGHT BASED ON CAD MODEL 5634KG; NOT FOR INSPECTION

UNLESS OTHERWISE SPECIFIED, ALL DIMENSIONS ARE IN MILLIMETERS	SIM TO N/A	DWN I. MUGHAL		CUMMINS GENERATOR TECHNOLOGIES	
	DO NOT SCALE PRINT	CKD I. MUGHAL		DRAWING, GENERAL ASSEMBLY	
SCALE 1:10		APVD R. MACMENEY	SITE CODE	P80 LV R CORE / INTEGRATED FEET / SAE0 ADAPTOR	
THIS DOCUMENT (AND THE INFORMATION SHOWN THEREON) IS CONFIDENTIAL AND PROPRIETARY AND SHALL NOT BE DISCLOSED TO OTHERS IN HARD COPY OR ELECTRONIC FORM, REPRODUCED BY ANY MEANS, OR USED FOR ANY PURPOSE WITHOUT WRITTEN CONSENT OF CUMMINS INC.	FOR INTERPRETATION OF DIMENSIONING AND TOLERANCING, SEE ASME Y14.5-2009	DATE 11SEP16		STA	DWG SIZE A2
		FIRST USED ON			CAD SHEET 1 of 2

REV. NO.	REV. DATE	REVISION	DESIGNED BY	CHECKED BY	DATE
ECO-165380	B	I	DRAWING BORDER UPDATED, DIRECTION OF ROTATION ARROW REMOVED	AS	AS
				D. LEE	07OCT16



2 BEARING SHAFT DETAIL
SCALE 1:5



NOMINAL WEIGHT BASED ON CAD MODEL 5634KG; NOT FOR INSPECTION

UNLESS OTHERWISE SPECIFIED, ALL DIMENSIONS ARE IN MILLIMETERS	SCALE 1:10	DATE 11 SEP 16	STA	AO	80-2383	CUMMINS GENERATOR TECHNOLOGIES DRAWING, GENERAL ASSEMBLY PBD LV R CORE / INTEGRATED FEET / SAE0 ADAPTOR	CAD SHEET 2 of 2
---	------------	----------------	-----	----	---------	---	---------------------