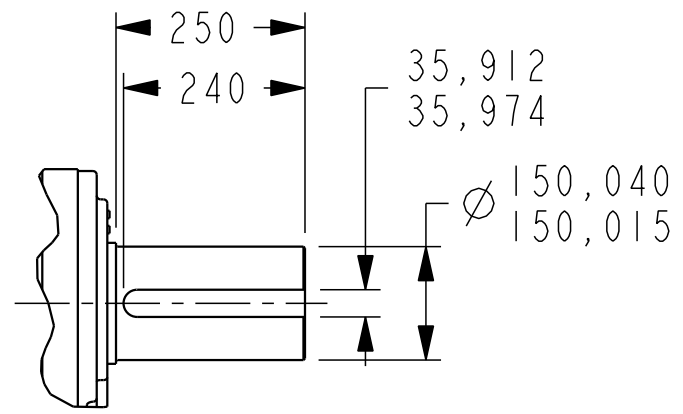
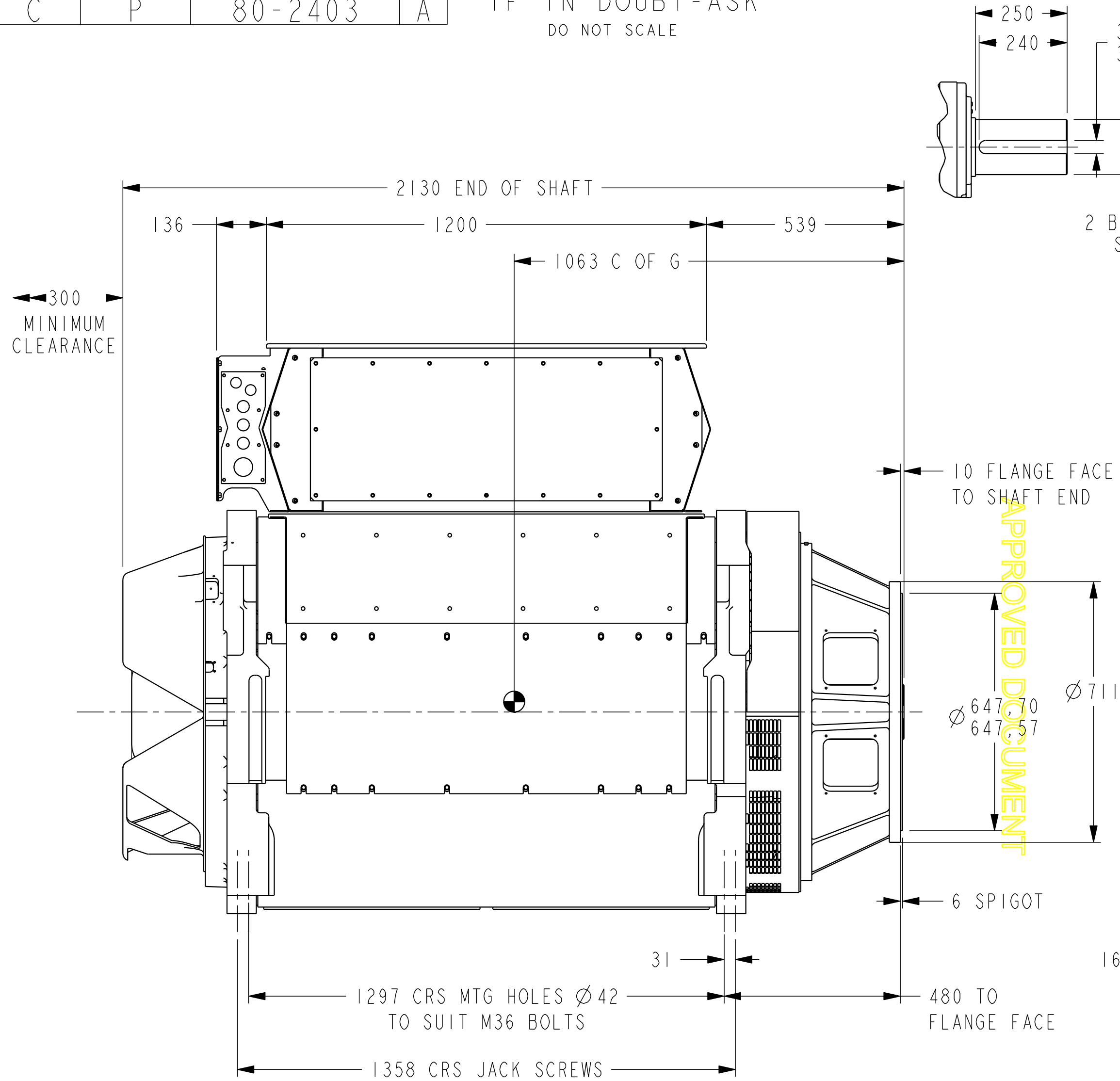
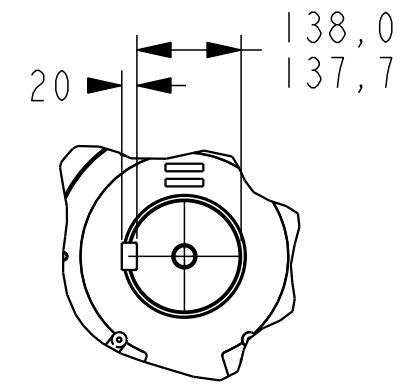


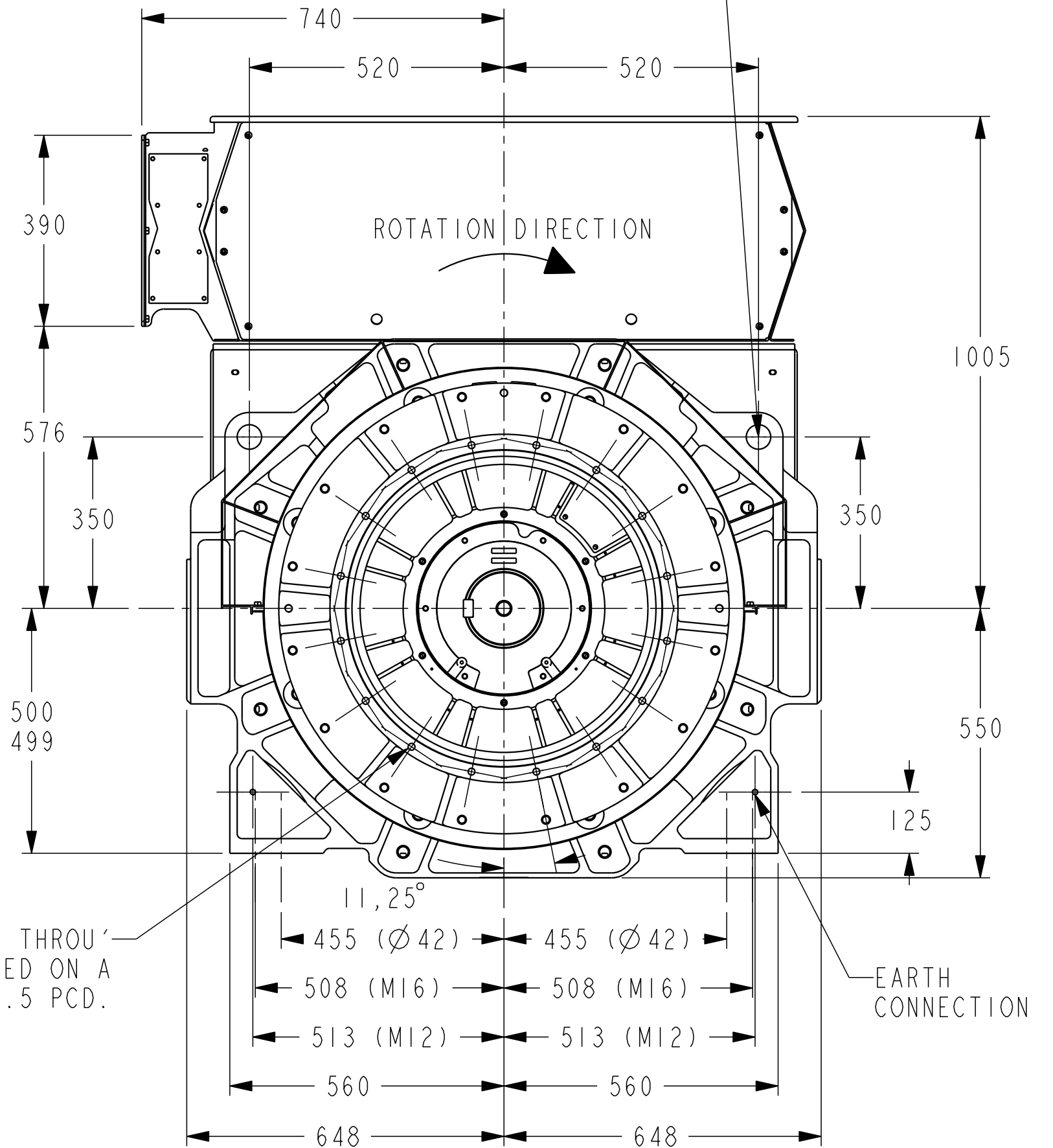
IF IN DOUBT-ASK  
DO NOT SCALE



2 BEARING DETAIL  
SCALE 1:10



Ø50 LIFTING HOLES 4 PLACES



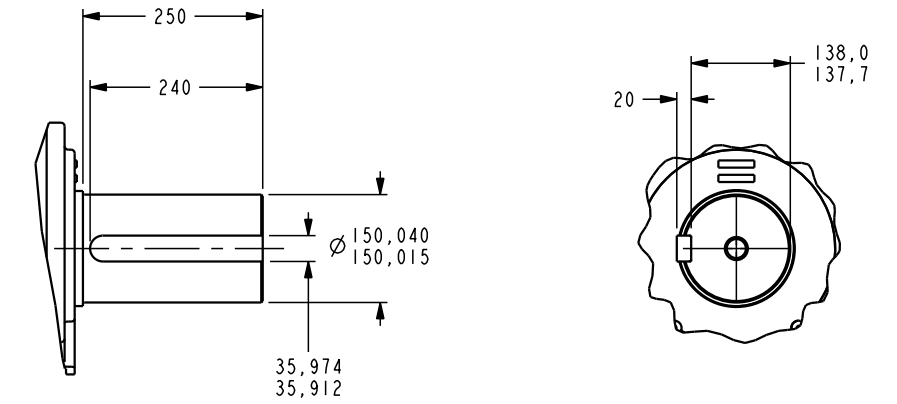
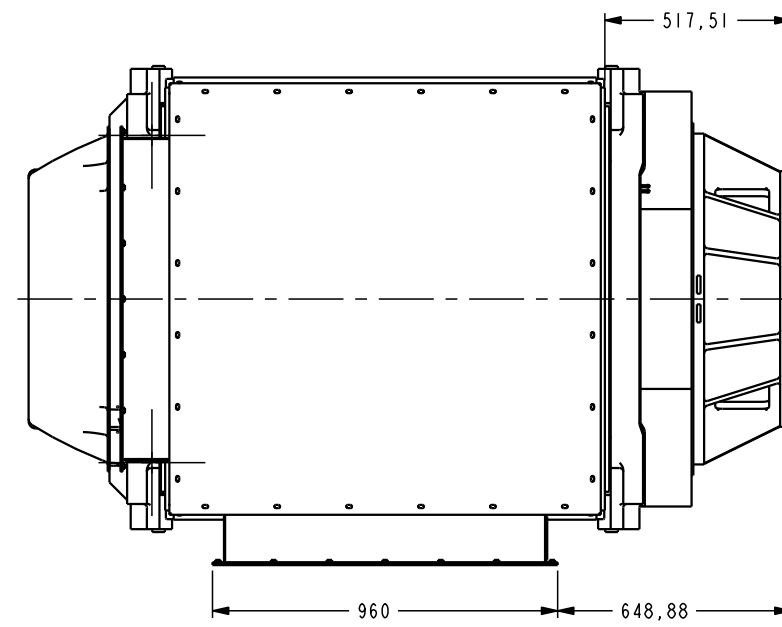
APPROVED DOCUMENT

**CONFIDENTIAL** PROPERTY OF  
CUMMINS GENERATOR TECHNOLOGIES LTD

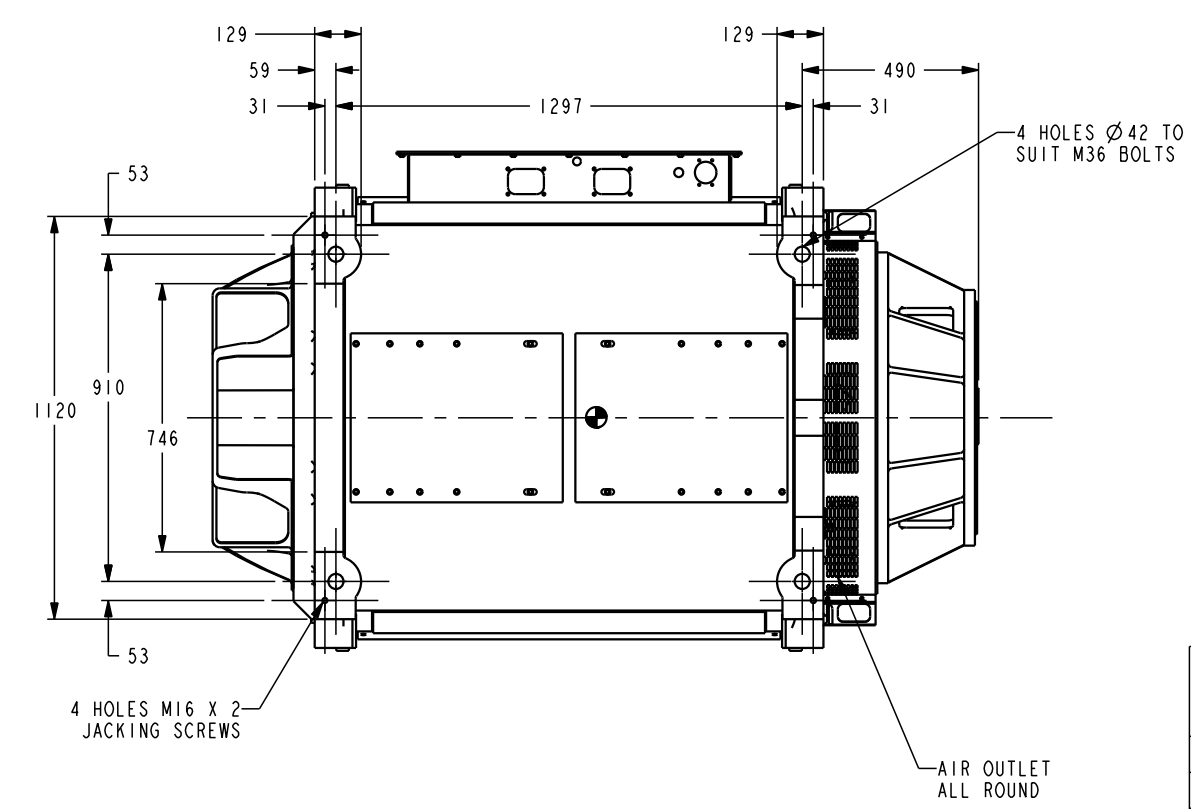
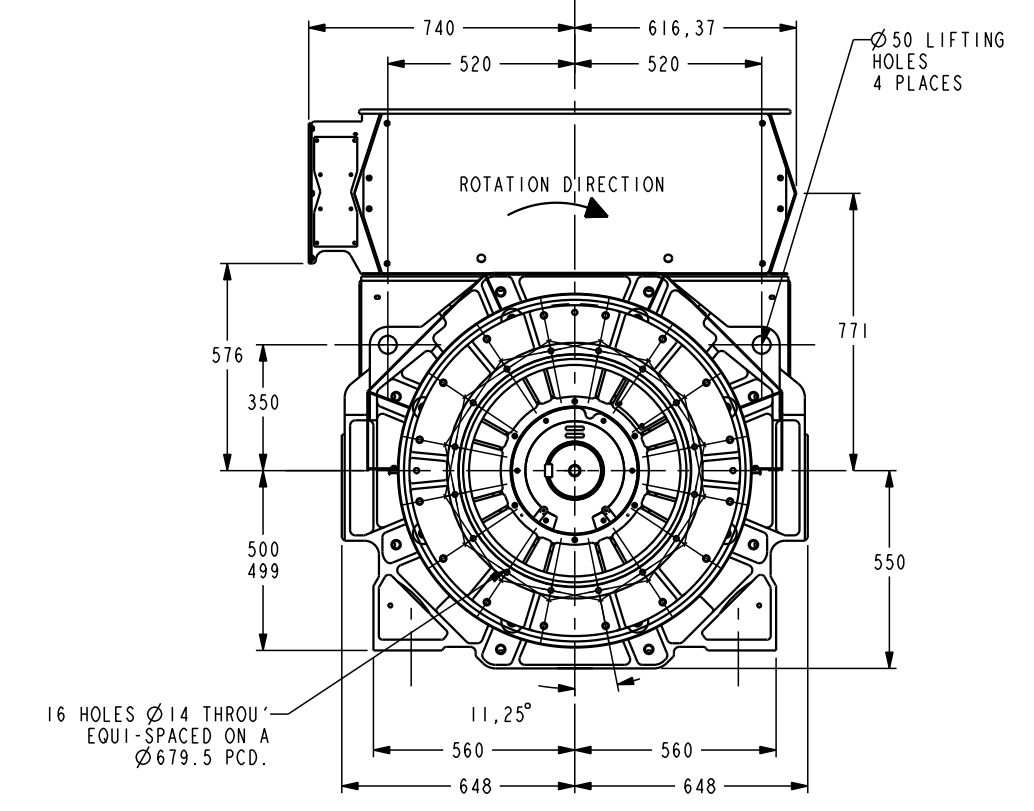
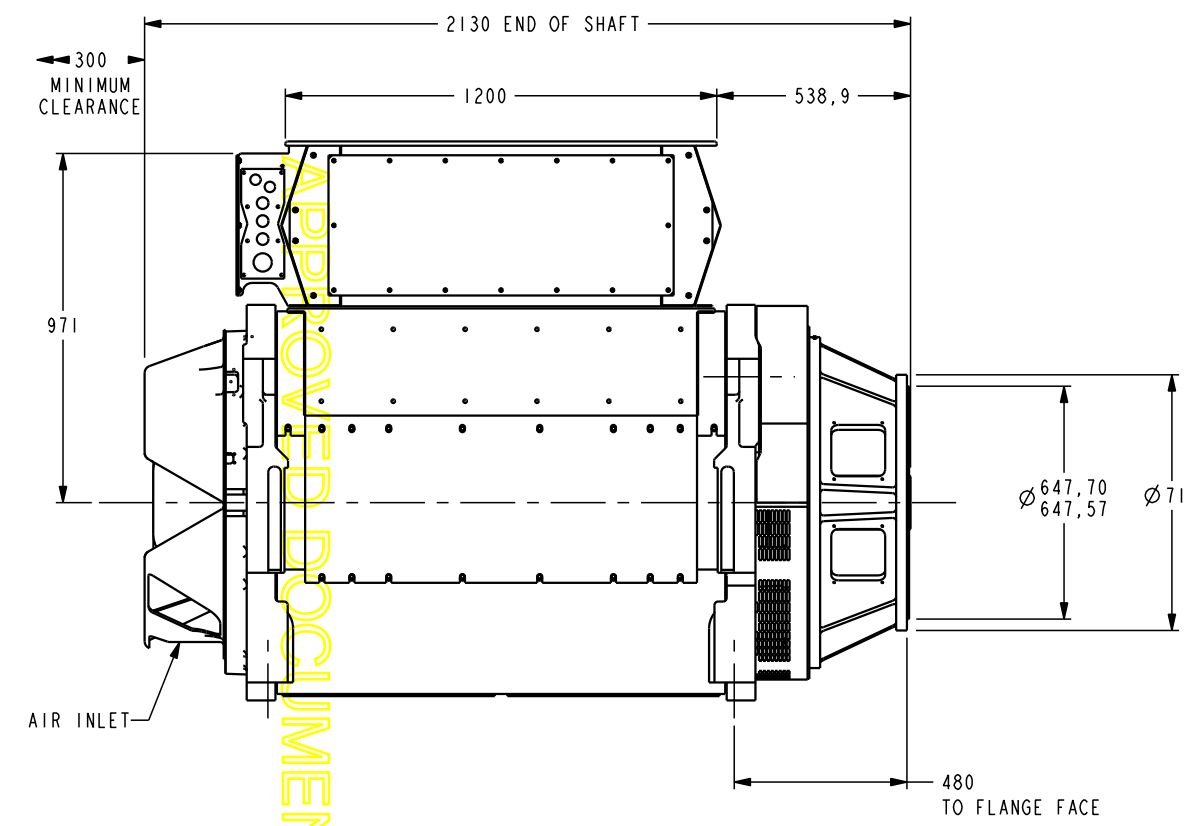
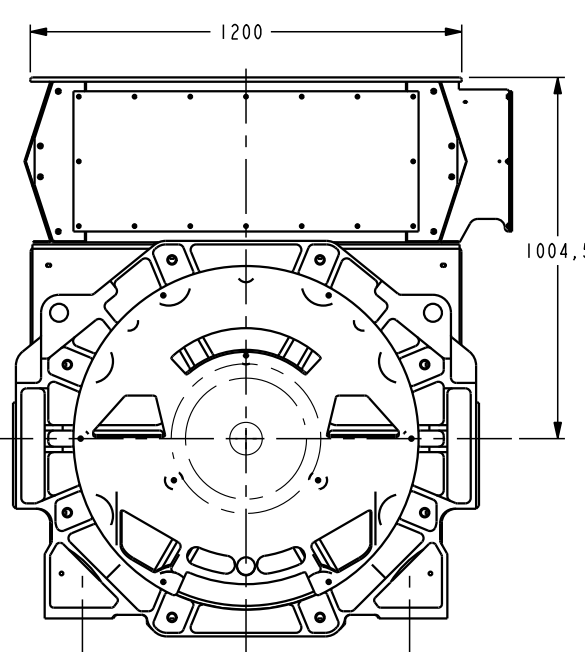
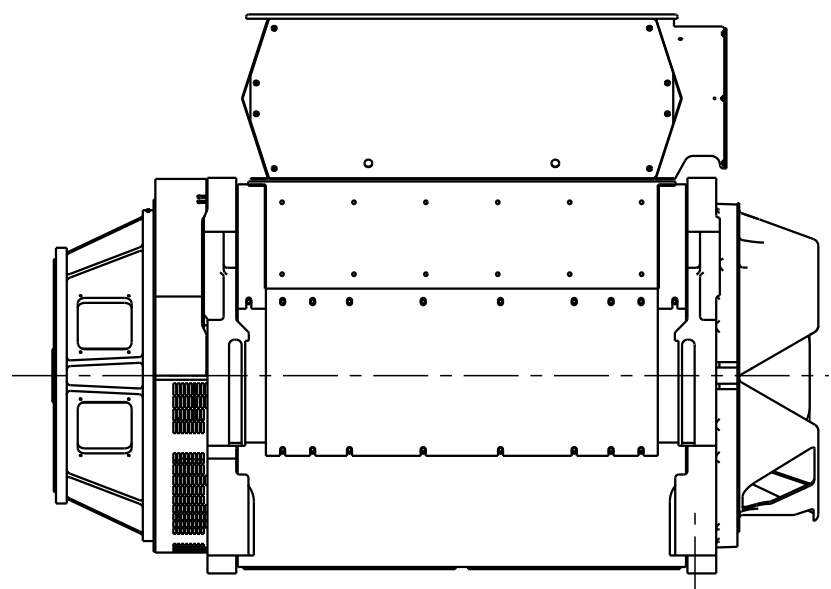
P80 ALTERNATOR MV T CORE  
CENTRE HEIGHT = INTEGRAL 500  
CONNECTION ADAPTOR SAE0

MATERIAL PROPS	-	DIMENSIONS IN MILLIMETRES (MM) AT 20°C	PROJECTION			SCALE 1:10	MATERIAL SEE BOM
FINISH SPEC	-						
GEOMETRY SPEC	-	SURFACE FINISH VALUES IN MICRO METRES	WEIGHT = 6233 KG			DRG. SIZE C	CASTING No
ASSEMBLY SPEC	-						
PERFORMANCE SPEC	-	UNLIMITED DIMS ± --	DRAWN	IAM	11/09/07	REL. PHASE P	PART No 80-2403
QUALITY SPEC	-		CHECKED	IAM	11/09/07		
			APPROVED	R.MAC	11/09/07	Pro/ENGINEER	SHEET 1 OF 2 SHEETS

4-8326-05	A	IAM	11/09/07	ORIGINAL ISSUE
MOD.	ISSUE	DRAWN	DATE	MODIFICATION



2 BEARING SHAFT DETAIL  
SCALE 1:5



FRAME	P80
CORE LENGTH	T
VOLTAGE RATING	MV
BEARINGS	2
CENTRE HEIGHT	INTEGRAL 500
ADAPTOR	SAE0
COUPLING	NONE
ENCLOSURE	IP23
CABLE ENTRY FROM DE	LEFT

<b>CONFIDENTIAL PROPERTY OF CUMMINS GENERATOR TECHNOLOGIES LTD</b>				P80 ALTERNATOR MV T CORE CENTRE HEIGHT = INTEGRAL 500 CONNECTION ADAPTOR SAE0	
MATERIAL PROPS	-	DIMENSIONS IN MILLIMETRES (MM) AT 20°C	PROJECTION	SCALE 1:10	MATERIAL SEE BOM
FINISH SPEC	-	SURFACE FINISH VALUES IN MICRO METRES	WEIGHT = 6233 KG	DRG. SIZE A	CASTING No
GEOMETRY SPEC	-	UNLIMITED DIMS ±	DRAWN IAM 11/09/07	REL. PHASE P	PART No 80-2403
ASSEMBLY SPEC	-		CHECKED IAM 11/09/07	ISSUE A	
PERFORMANCE SPEC	-		APPROVED R.MAC 11/09/07	PREP/ENGINEER	
QUALITY SPEC	-				SHEET 2 OF 2 SHEETS

4-8326-05	A	IAM	11/09/07	ORIGINAL ISSUE
MOD.	ISSUE	DRAWN	DATE	MODIFICATION