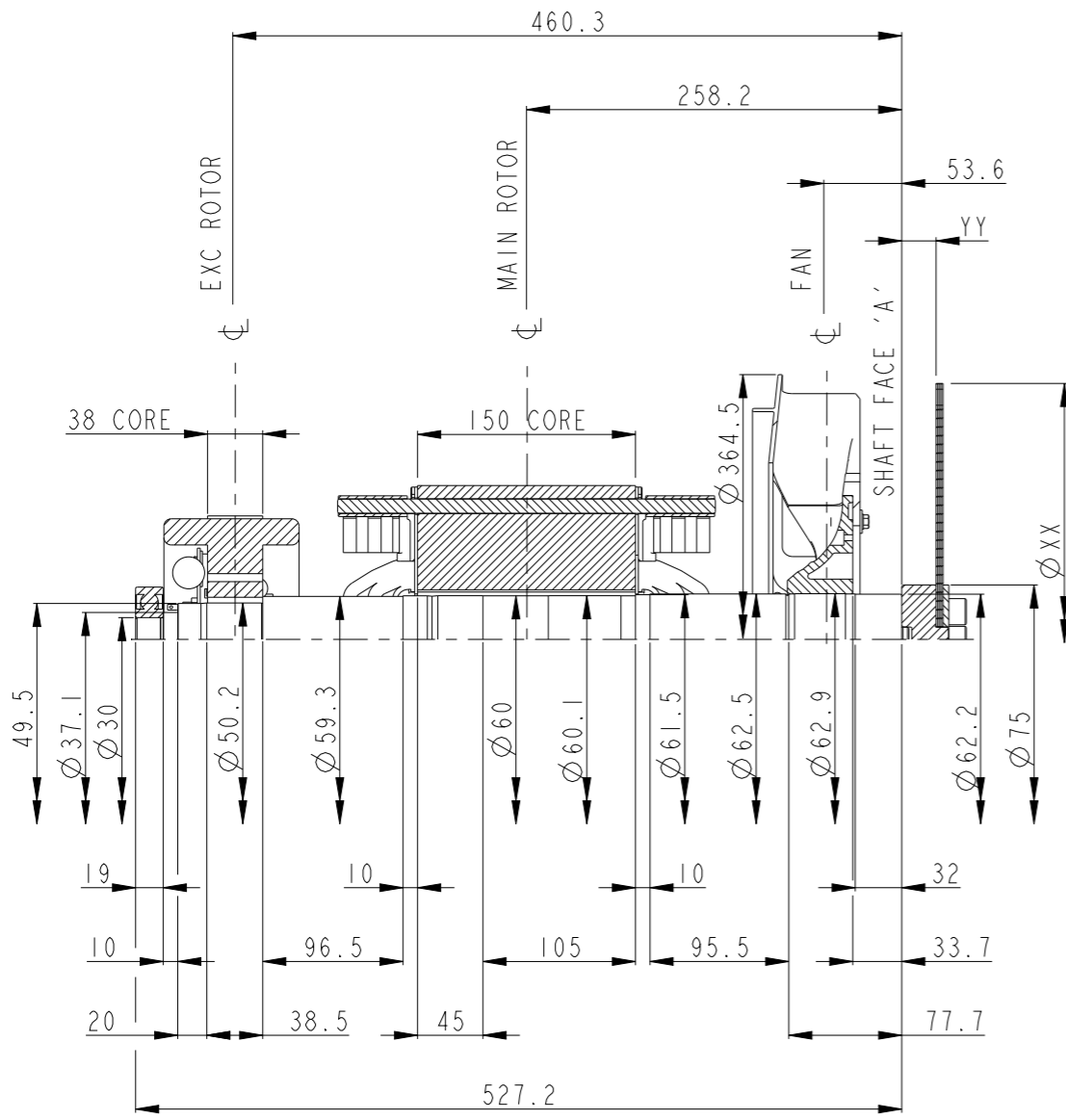


REL NO	REV	DETAIL	DWN	CKD	APVD	DATE
ECO-170415	C	PRODUCTION RELEASE	KDP	UKD	S. JOSHI	12JUL17
		ZONE D3, DIM 53.6 WAS 51				
		ZONE B3, DIM 32,33.7 & 77.7 WAS 22,28.7 & 72.7				
		TABLE, FAN WT 1.76 WAS 1.676				
		TABLE, FAN MI 0.0182 WAS 0.0172				
		ZONE A3/A4, DIM 18 WAS 17				

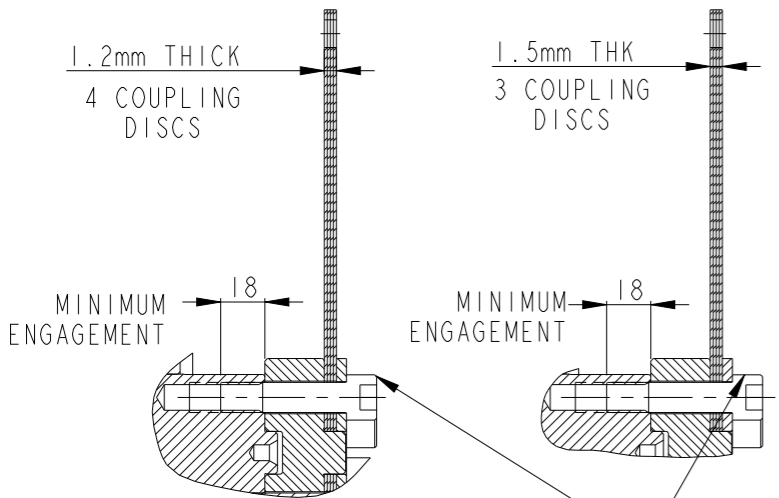
- NOTES:
- SHAFT STIFFNESS:
THE STIFFNESS OF THE SHAFT BETWEEN THE MAIN ROTOR CORE ϕ AND THE SHAFT FACE 'A' IS 4.5056×10^6 kgcm/radian (STIFFENING EFFECT OF MAIN ROTOR CORE IS NOT INCLUDED IN THIS FIGURE)
 - SHAFT MATERIAL:
STEEL - C40E TO BSEN 10083-2 2006
MAXIMUM RECOMMENDED VIBRATORY STRESS LEVEL IN THE SHAFT IS 34.47×10^6 N/m² FOR SPEED RANGE OF 0.95 TO 1.1 X NOMINAL SPEED AND 68.94×10^6 N/m² FOR RUN THROUGH CONDITIONS, FOR INDUSTRIAL MACHINES
 - CUMMINS GENERATOR TECHNOLOGIES LTD SHOULD BE NOTIFIED OF ANY ROTORS NOT COMPLYING WITH THESE RULES
 - CUMMINS GENERATOR TECHNOLOGIES LTD BALANCE ROTORS TO COMPLY WITH INTERNATIONAL STD BS ISO 1940 PARTS 1 AND 2. BALANCE GRADE 2.5
 - FOR UNBALANCED MAGNETIC PULL (U.M.P) REFER BACK TO THE FACTORY



ADAPTOR SAE No.	COUPLING SAE No.	COUPLING DIMENSIONS		MASS OF DISCS (kg) (4 X 1.2mm THICK)	MASS OF DISCS (kg) (3 X 1.5mm THICK)	MASS OF SHAFT SPACER (kg)	MASS OF PRESSURE PLATE (kg)	TOTAL MASS OF COUPLING ASSEMBLY (kg)	COUPLING STIFFNESS (kgcm/rad)	COUPLING DISC WR ² (kgm ²)
		ϕ XX mm	YY mm							
3/4	10	314.2	37.97	2.855	-	1.078	0.107	4.040	23.96×10^6	0.0354
3	1 1/2	352.3	23.62	3.606	-	0.671	0.107	4.384	23.84×10^6	0.0562
3/4	10	314.2	37.97	-	2.676	1.078	0.107	3.861	22.46×10^6	0.0332
3	1 1/2	352.3	23.62	-	3.381	0.671	0.107	4.159	22.35×10^6	0.0526

CONVERSION FACTORS		
TO CONVERT	TO	DIVIDE BY
kg	lb	0.453592
kg m ²	lb ft ²	0.04214
kgcm/rad	lbin/rad	1.1521246
N/m ²	lbf/in ²	6894.76

COMPONENT	Wt Kg	WR ² Kg m ²
FAN	1.76	0.0182
SHAFT	11.01	0.0049
MAIN ROTOR	36.10	0.2095
EXCITER ROTOR	6.20	0.0249
TOTAL	55.08	0.2575



UNLESS OTHERWISE SPECIFIED, ALL DIMENSIONS ARE IN MILLIMETERS		SIM TO -	DWN K. PAWAR		CUMMINS GENERATOR TECHNOLOGIES	
DO NOT SCALE PRINT		CKD U. DAGWALE	APVD S. JOSHI		DRAWING, TORSIONAL	
DIM	X ± 1	0.00-4.99 +0.15/-0.08	DATE 18MAR16	SITE CODE	SIL2-G1 4P	
	X.X ± 0.1	5.00-9.99 +0.20/-0.10				
	X.XX ± 0.01	10.00-17.49 +0.25/-0.13				
		17.50-24.99 +0.30/-0.13				
ANG TOL: ± 0.5°	SCALE: 1:4	- CONFIDENTIAL - PROPERTY OF CUMMINS GENERATOR TECHNOLOGIES		FIRST USED ON	PUN	DWG SIZE A2 A054Y402
					SHEET 1	REV C