

Document Generated: 27AUG2021 01:44 GMT

Cummins Data Classification:  
**Cummins Confidential**

This document (and the information shown thereon) is **Confidential and Proprietary** and shall not be disclosed to others in hard copy or electronic form, reproduced by any means, or used for any purpose without written consent of Cummins Inc.

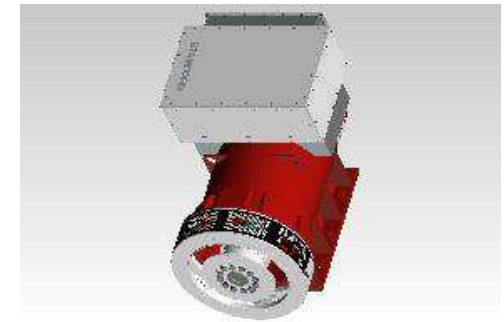
Part Number: **A063N687** Part Revision: **D**  
 Part Name: **ARRANGEMENT, GENERATOR GENERAL**  
 Drawing Category: **Outline State: Released** Sheet 1 of 2

Cummins Generator Technologies			
DIMENSIONS ARE IN: MILLIMETERS		SIZE: A0 SCALE: 1:2	
DIMENSIONING AND TOLERANCING PER: ASME Y14.5-2009			
DRAWING SPECIFICATION DESCRIPTION		CAD SYSTEM	
STHV-E/F, 1-BRG, SAE00-18/21, STD BOX			



**Part Number: A063N687**

Change Notice	CN00037905	Alternates	
Manufacturer Part (MEP)	No	Usage	Production Only
Release Phase Code	Production (P)	Drawing Specification	DS47017410
External Regulations	No External Regulation		



3D image provided when available for visual reference only.

**Associated Specifications**

Number	Name	Type	Category	Sub-Category
ESA030B356	SPECIFICATION,MATERIAL	Engineering Specification	Material Specification	Prohibited and Restricted  Prohibited and Restricted

**Drawing Revision Information**

Description of Change(s)
IN ZONE K13~M13,ROTATE 180 DEGREE OF "CORECOOLING" LOGO

**Drawing Authorization**

Drafter	Qun Zhou	Date	26AUG2021
Checker	Jessica Liu	Date	27AUG2021
Approver	NO APPROVAL REQUIRED	Date	

Document Generated: 27AUG2021 01:44 GMT