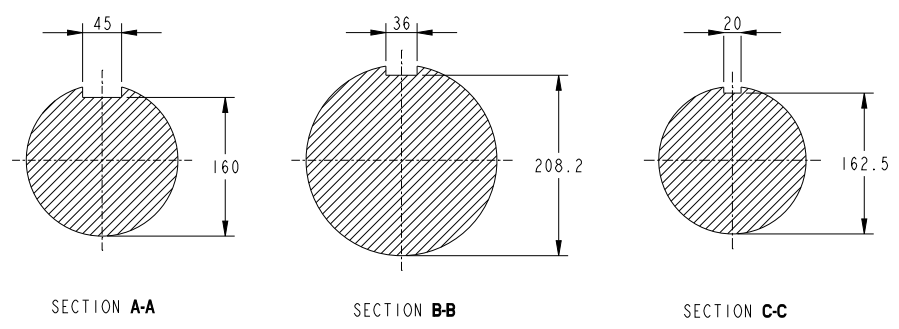


NOTES:

1. SHAFT STIFFNESS:
THE STIFFNESS OF THE SHAFT BETWEEN THE MAIN ROTOR CORE ϕ AND SHAFT EXTENSION ϕ IS 131.21×10^6 kgcm/radian (STIFFENING EFFECT OF MAIN ROTOR CORE IS NOT INCLUDED IN THIS FIGURE).
2. SHAFT PROPERTIES:
MINIMUM YIELD : 260MPa
MINIMUM ULTIMATE TENSILE STRENGTH : 530MPa
SHAFT MATERIAL IS APPROVED BY MARINE AUTHORITIES WHEN APPROPRIATE.
3. MAXIMUM RECOMMENDED VIBRATORY STRESS LEVEL IN THE SHAFT IS 34.47×10^6 N/m² FOR SPEED RANGE OF 0.95 TO 1.1 X NOMINAL SPEED AND 68.94×10^6 N/m² FOR RUN THROUGH CONDITIONS, FOR INDUSTRIAL MACHINES.
4. FOR MARINE AUTHORITIES, THEIR APPROPRIATE RULES WILL APPLY.
5. CUMMINS GENERATOR TECHNOLOGIES LTD SHOULD BE NOTIFIED OF ANY ROTORS NOT COMPLYING WITH THESE RULES. CUMMINS GENERATOR TECHNOLOGIES LTD BALANCE ROTORS TO COMPLY WITH INTERNATIONAL STD ISO 1940 GRADE 2.5 AND BS 6861 PART 1 GRADE 2.5.
6. FOR UNBALANCED MAGNETIC PULL (U.M.P) FORCES PLEASE CONTACT CUMMINS GENERATOR TECHNOLOGIES LTD.



CONVERSION FACTORS		
TO CONVERT	TO	DIVIDE BY
kg	lb	0.453592
kg m ²	lb ft ²	0.04214
kgcm/rad	lbin/rad	1.1521246
N/m ²	lbf/in ²	6894.76

COMPONENT	Wt Kg	WR ² Kg m ²
1 SHAFT	556.252	2.9751
2 MAIN ROTOR	1650.278	92.7117
3 FAN AND HUB	79.920	4.8111
3 EXCITER	93.000	2.0591
4 P. MAG ROTOR	6.970	0.0190
5 STUB SHAFT	0.929	0.0003
TOTAL	2387.349	102.5763

Cummins Generator Technologies

DIMENSIONS ARE IN: MILLIMETERS
[] ARE IN: -

SIZE: A1 SCALE: 0.275

DIMENSIONING AND TOLERANCING PER: ASME Y14.5-2009

THIRD ANGLE PROJECTION

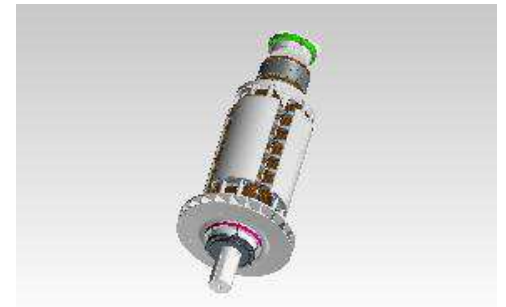
CAD SYSTEM: PTC® Creo® Parametric

DRAWING SPECIFICATION DESCRIPTION
S9LV, E-CORE, 4P, 2 BRG



Part Number: A071U926

Change Notice	CN00115535	Alternates	
Manufacturer Part (MEP)	No	Usage	Production Only
Release Phase Code	Production (P)	Drawing Specification	Number: DS47101307
External Regulations	No External Regulation		Revision: C



3D image provided when available for visual reference only.

Drawing Revision Information

Description of Change(s) Note: Change information is provided for reference only and does not supersede the drawing's primary content.
SEE CHANGE NOTICE.
PRODUCTION RELEASE

Drawing Authorization

Drafter	Pratik Vijay Patil	Date	20NOV2023
Checker	Sneha Pundlikrao Bondlewad	Date	23NOV2023
Approver	Matthew Hammond	Date	23NOV2023

Document Generated: 24NOV2023 09:26 GMT