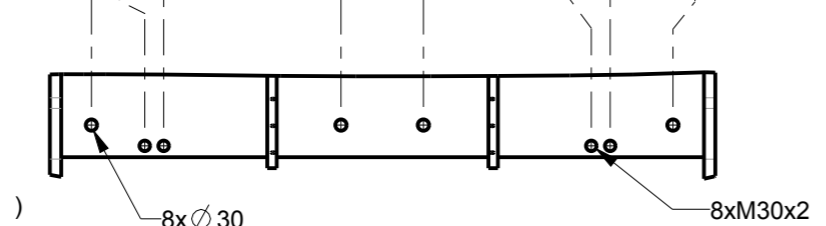
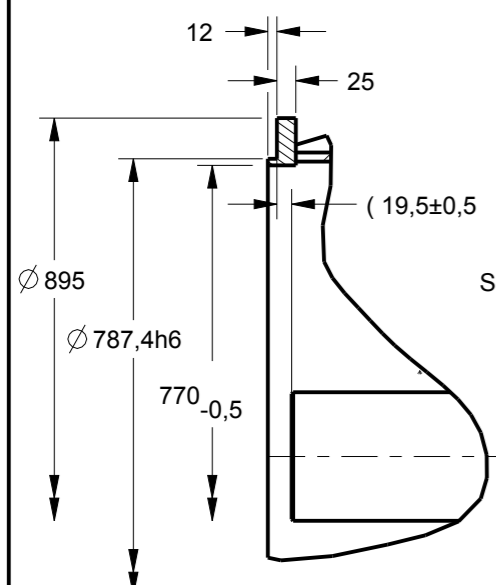
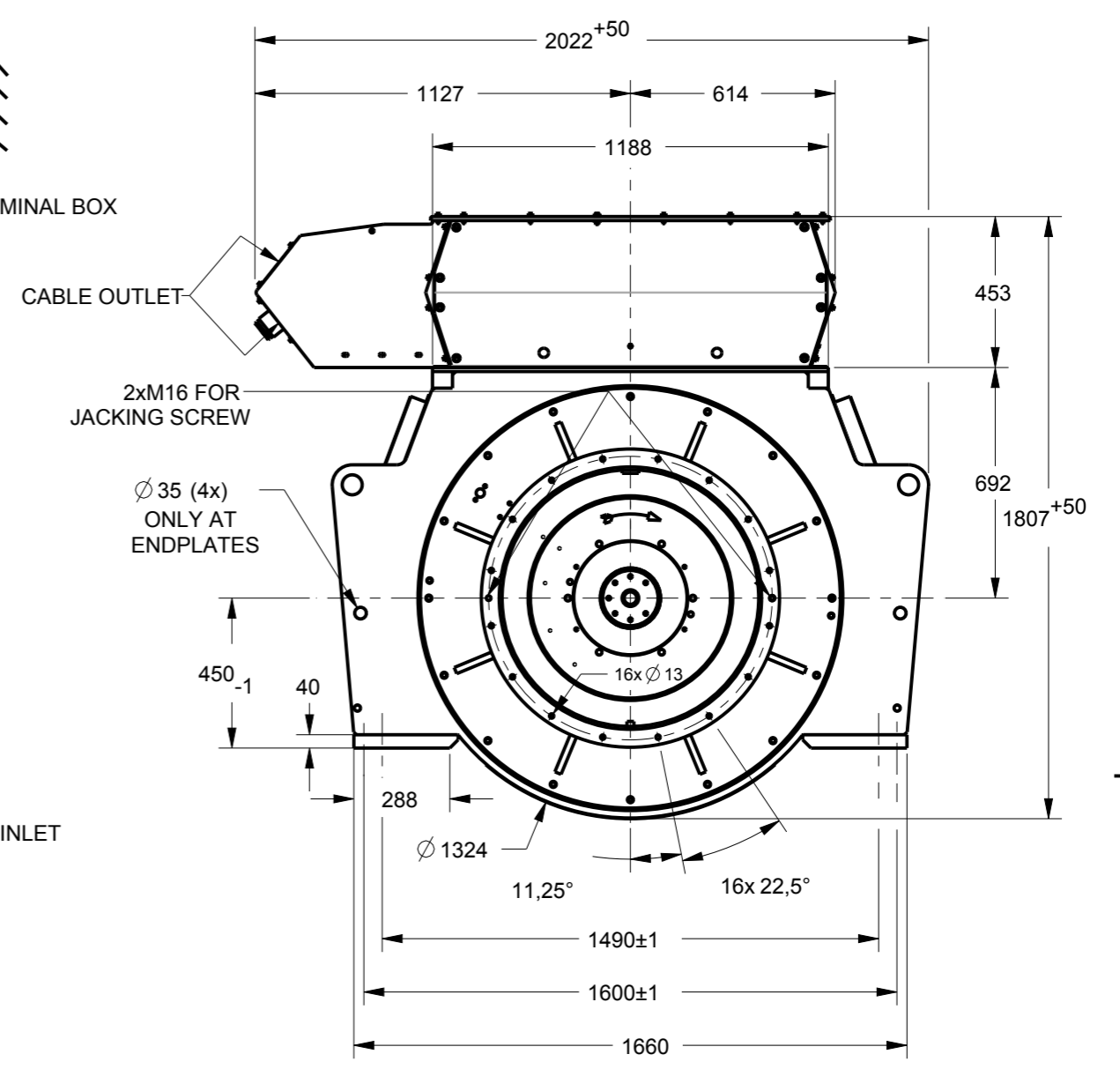
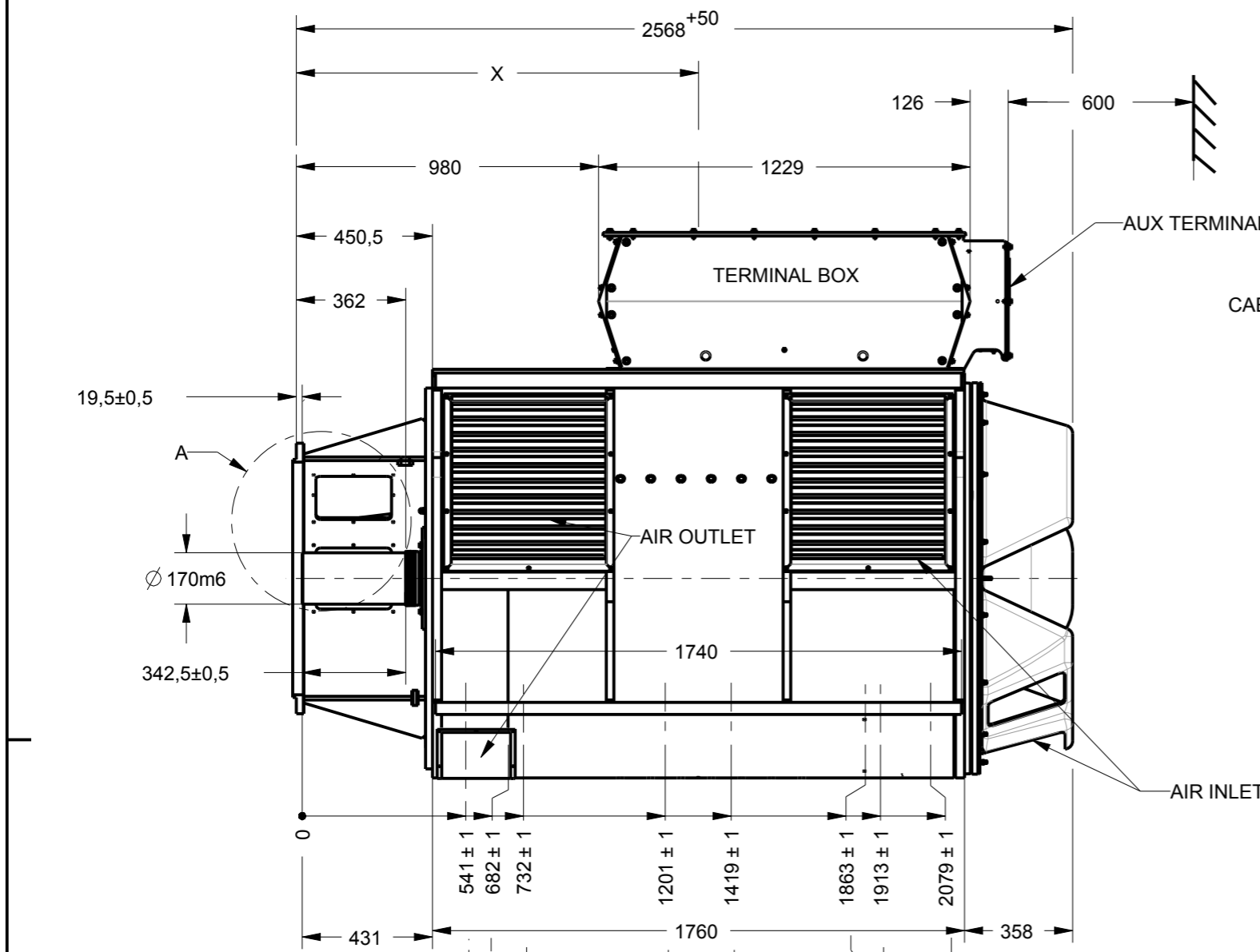


SIZE A3	REL. PHASE P	DRAWING-NO. AZ13001	REV. B
-------------------	------------------------	-------------------------------	------------------



TYPE	WEIGHT	CENTER OF GRAVITY (X)	ROTOR DRAWING
DIG 142 c	9376 KG	1289 mm	83732
DIG 142 d	9714 KG	1304 mm	
DIG 142 e	10124 KG	1322 mm	

REV.	DRAWN	CHECKED	DATE	MODIFICATION
B	YS	AMD	03.02.12	Jackscrew position changed
A	YS	AMD	25.01.12	ORIGINAL ISSUE

Project-/Order-Nr.:		Cummins		DIMENSION DRAWING ALTERNATOR Type: DIG142 c/d/e	
DIM. IN MILLIMETERS (MM) AT 20° C [68° F]		PROJECTION		SCALE 1:20	MATERIAL
FINISH SPEC -		WEIGHT =		SIZE A3	DRAWING-NO. AZ13001
GEOMETRY SPEC ISO 2768v		DRAWN YS 25.01.12		REL. PHASE P	
The reproduction, distribution and utilization of this document as well as the communication of its contents to others without explicit authorization is prohibited. Offenders will be held liable for the damages. All rights reserved in the event of the grant of a patent, utility model or design.		CHECKED AMD 25.01.12		Pro/ENGINEER	PAGE 1 from 1
		APPR.			

