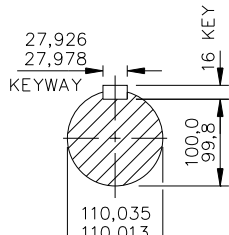
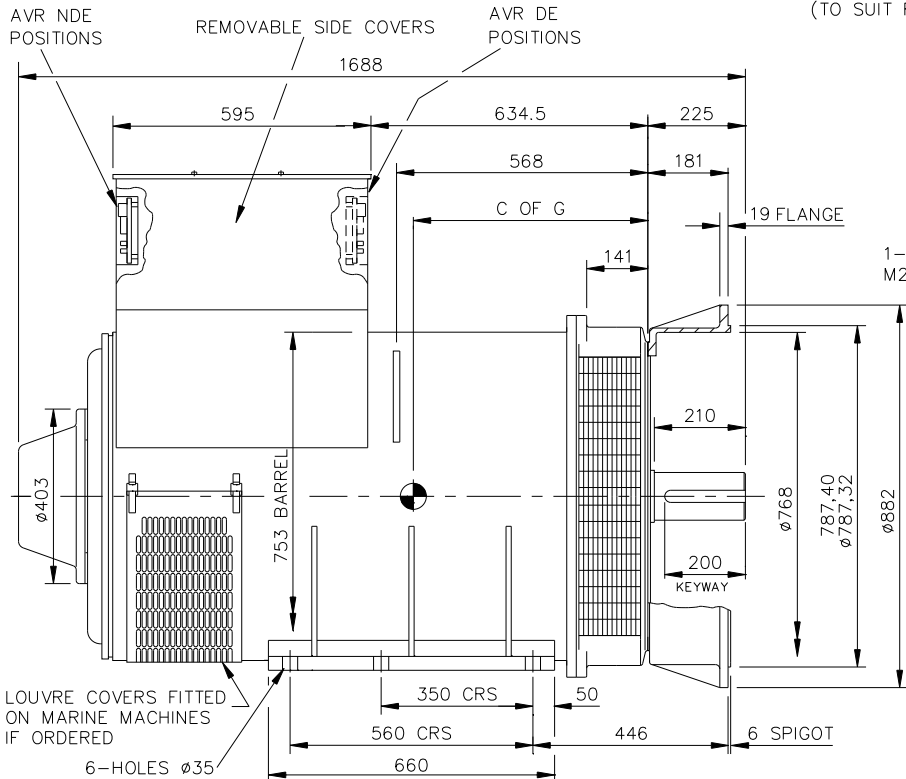


| REL NO | REV | DETAILS | DWN | CKD | APVD | DATE |
|------------|-----|---------------------------|-----|-----|------|---------|
| ECO-130107 | E | AVR VIEWS & NOTES UPDATED | SVB | APM | SMH | 15NOV12 |

| CORE | 4-POLE | 6-POLE |
|------|--------|--------|
| G | 595 | 575 |
| H | 605 | 585 |
| J | 620 | 600 |
| K | | 620 |



DETAIL OF SHAFT EXTENSION.

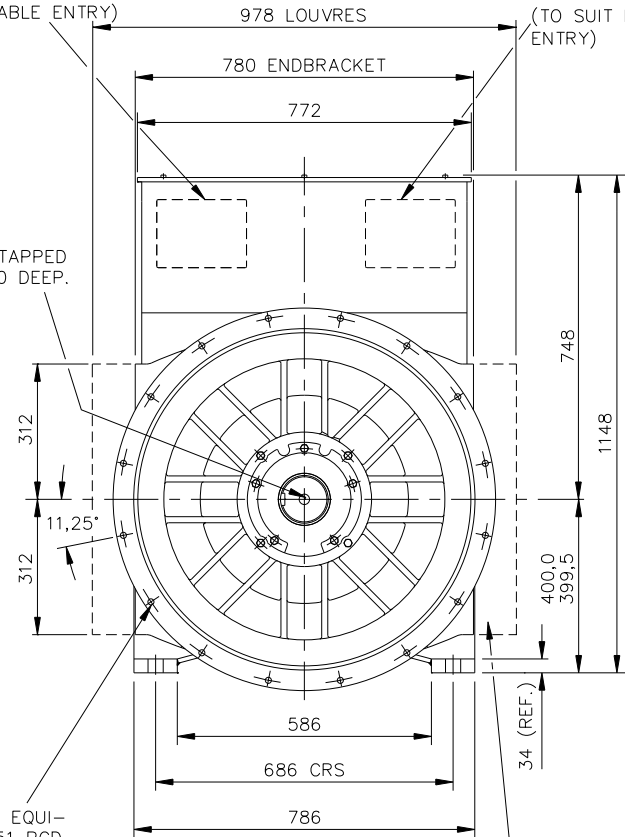


LOUVRE COVERS FITTED ON MARINE MACHINES IF ORDERED

6-HOLES $\phi 35$

AVR POSITION WHEN FITTED TO NDE OR DE (TO SUIT R/H CABLE ENTRY)

AVR POSITION WHEN FITTED TO NDE OR DE (TO SUIT L/H CABLE ENTRY)



16-HOLES $\phi 14$ EQUI-SPACED ON 851 PCD

60° DRIP PROOF LOUVRES FITTED AS STANDARD ON MARINE MACHINES OTHERS IF ORDERED

NOTE: - CUSTOMER MAY CUT CABLE ENTRY HOLES AS REQUIRED IN ANY OF THE FOUR TERMINAL BOX SIDES SUBJECT TO POSITION OF AVR, TERMINALS, ETC.

| | | | | | | |
|--|----------|---------|---------------------------------------|---------------------------|-------|---|
| UNLESS SPECIFIED ALL DIMENSIONS ARE IN MILLIMETERS | | | CUMMINS GENERATOR TECHNOLOGIES | | | |
| DO NOT SCALE PRINT | DRAWN | | AJB | DRAWING, GENERAL ASSEMBLY | | |
| | CHECKED | | AJB | HC/CG6 2BRG GHJK SAE00 GA | | |
| | APPROVED | CR | DWG SIZE | 66-2002 | SHEET | 1 |
| CONFIDENTIAL | DATE | 09JUN00 | SITE CODE | STA | REV | E |
| PROPERTY OF CUMMINS GENERATOR TECHNOLOGIES | SCALE | 1:10 | FIRST USED ON | --- | | |