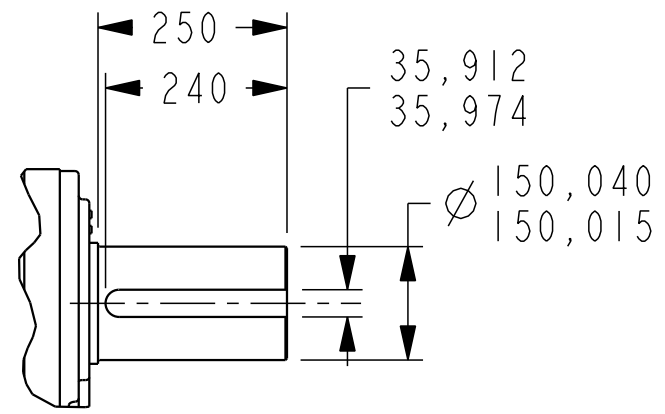
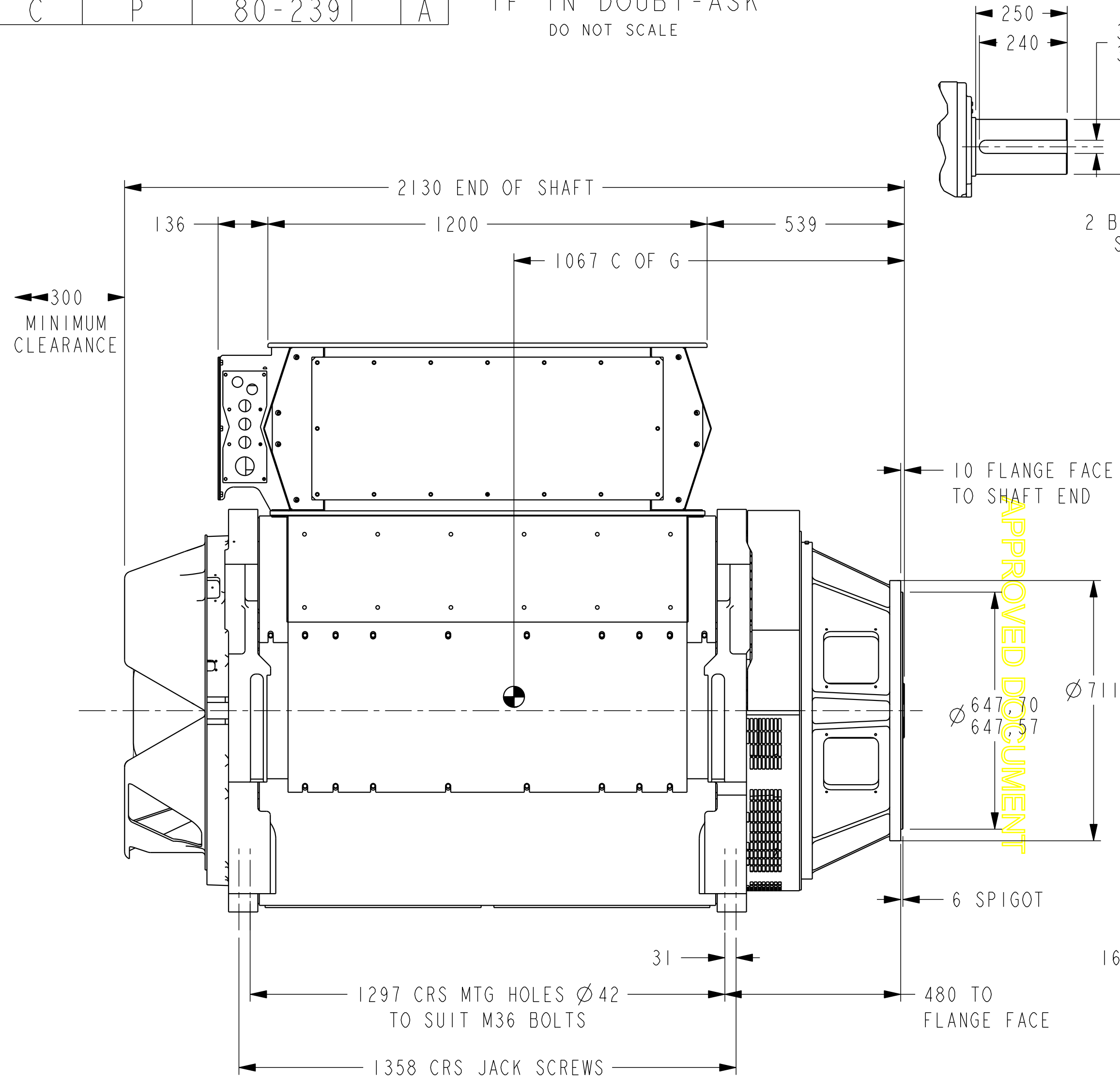
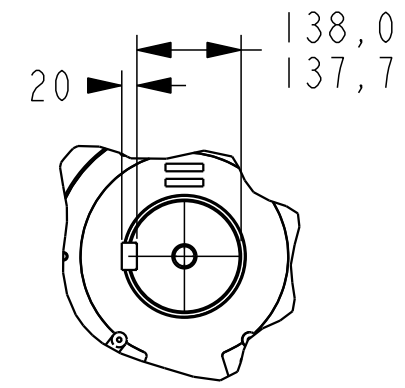


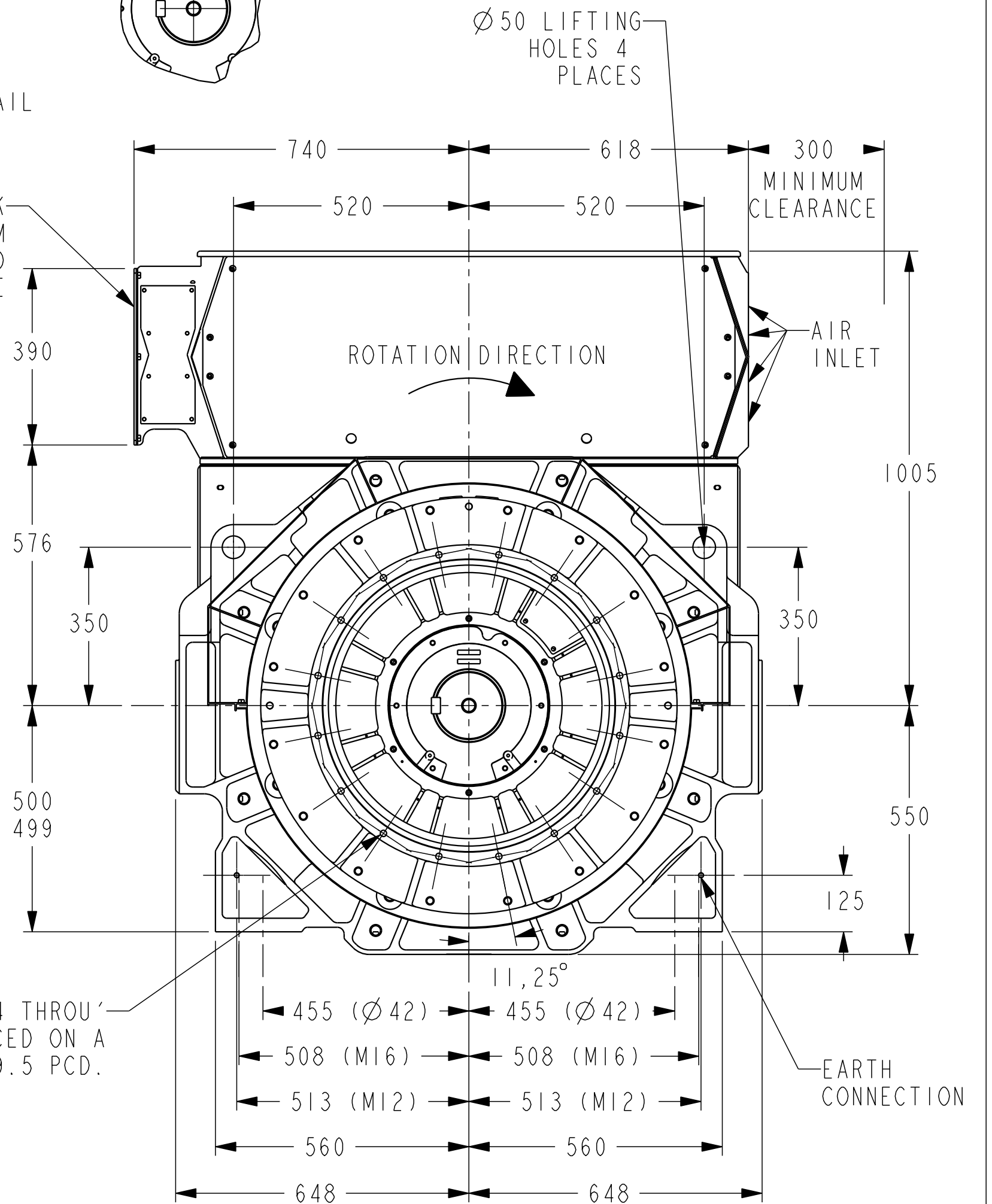
IF IN DOUBT-ASK
DO NOT SCALE



2 BEARING DETAIL
SCALE 1:10



5MM THK ALUMINIUM GLAND PLATE



APPROVED DOCUMENT

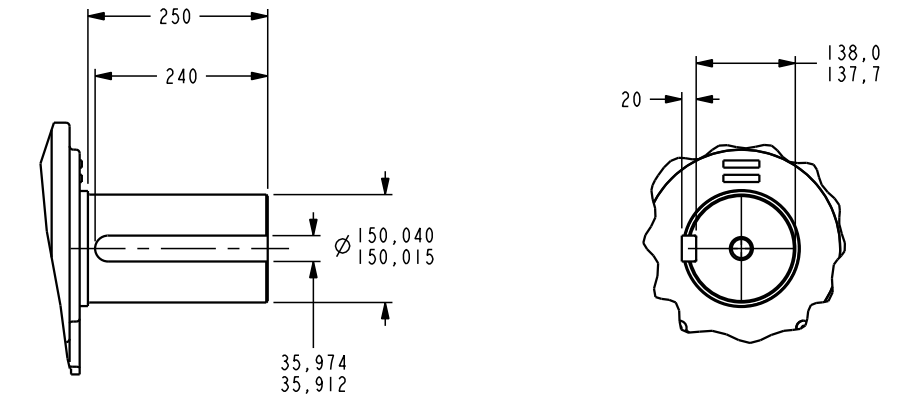
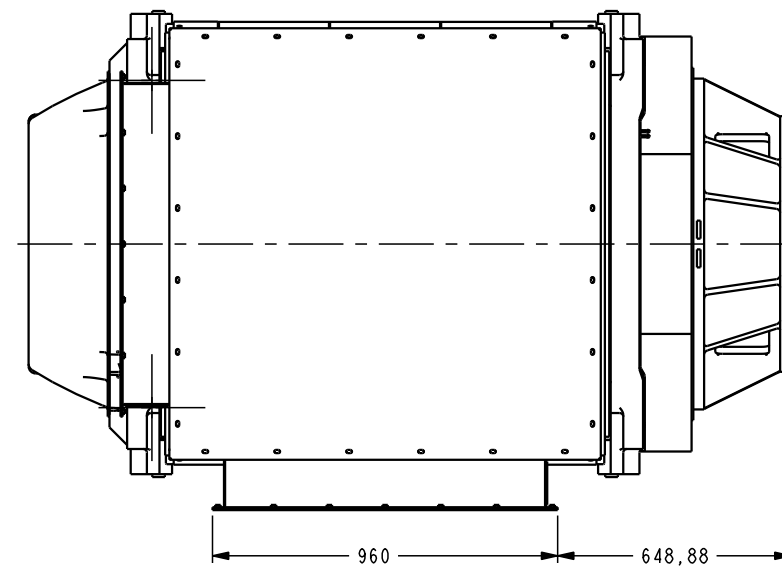
16 HOLES Ø14 THRU' EQUI-SPACED ON A Ø679.5 PCD.

CONFIDENTIAL PROPERTY OF
CUMMINS GENERATOR TECHNOLOGIES LTD

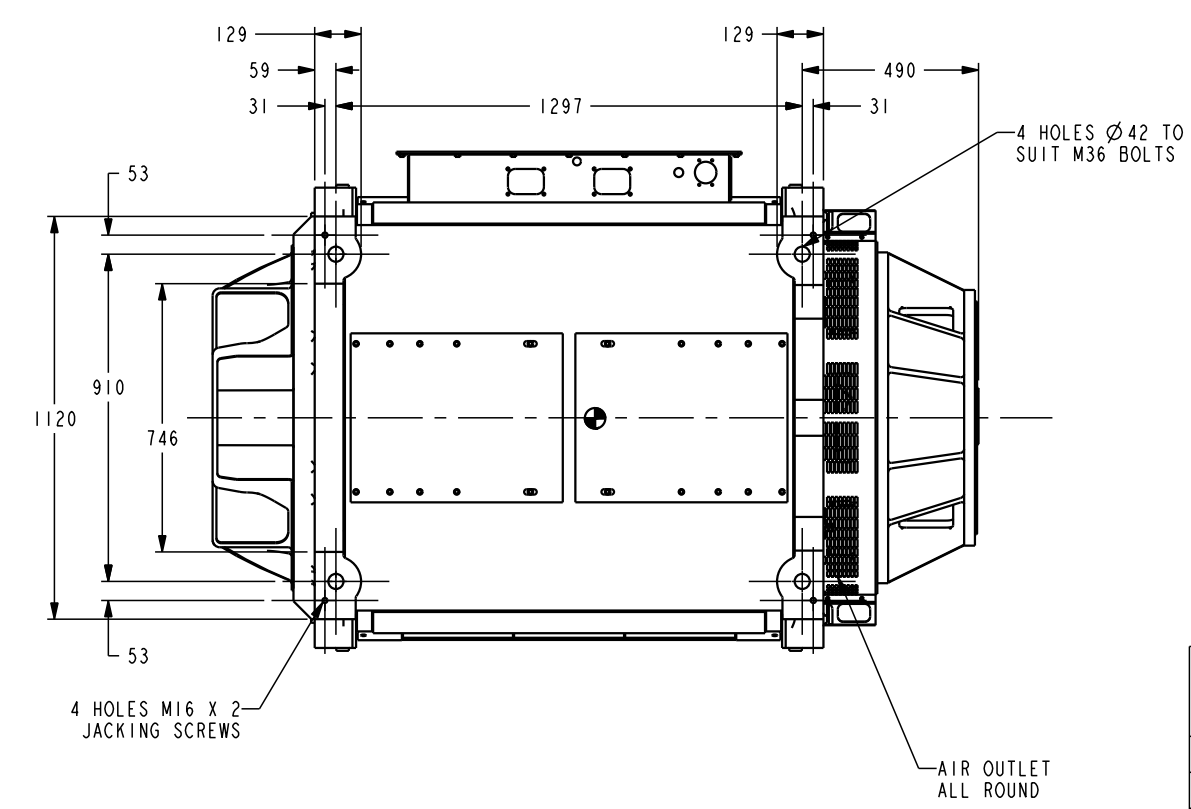
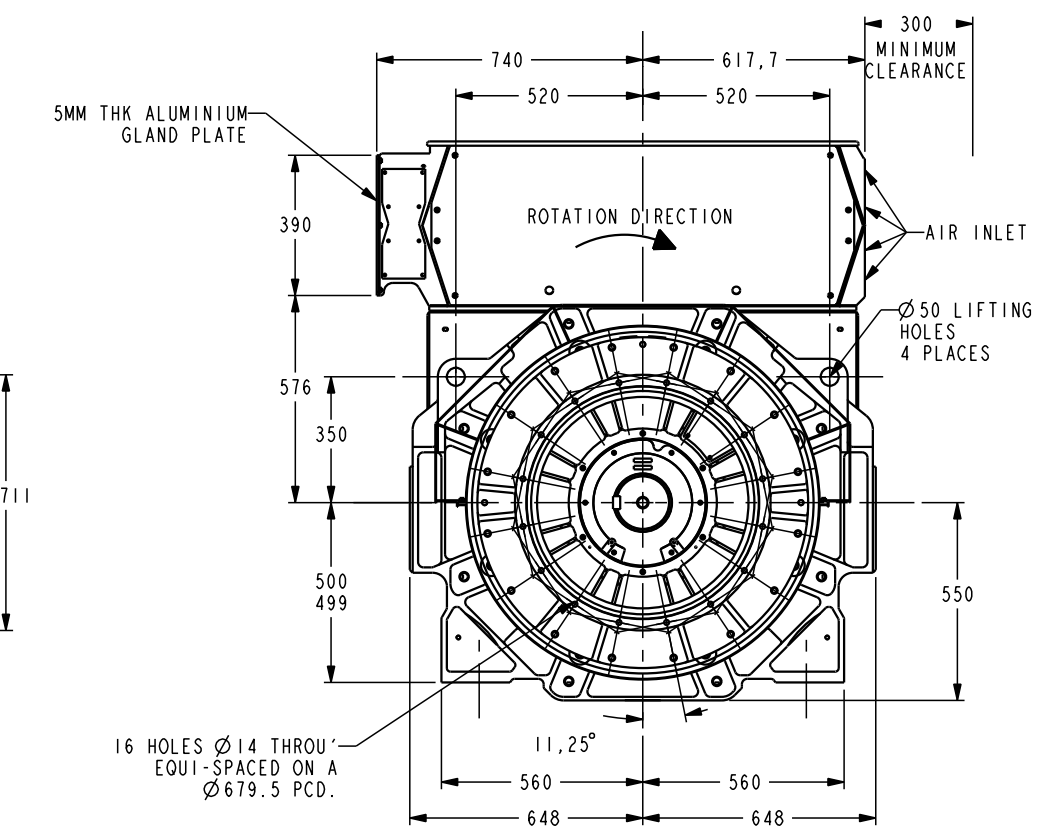
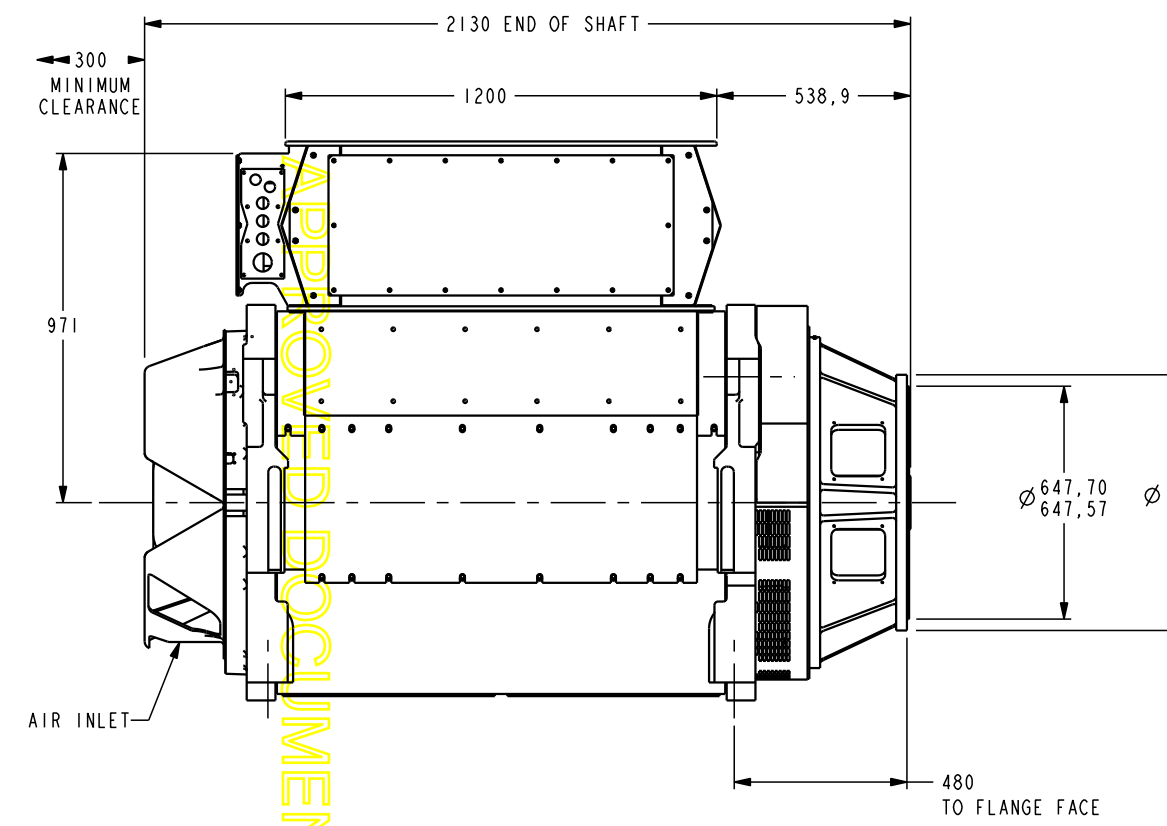
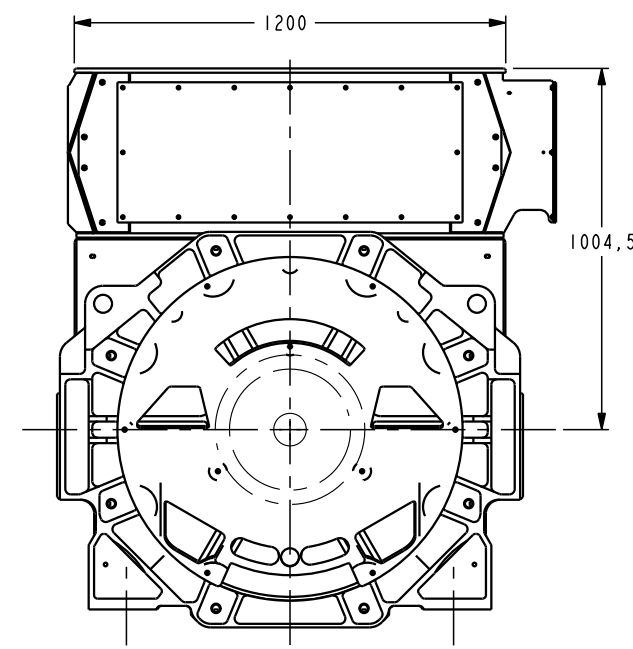
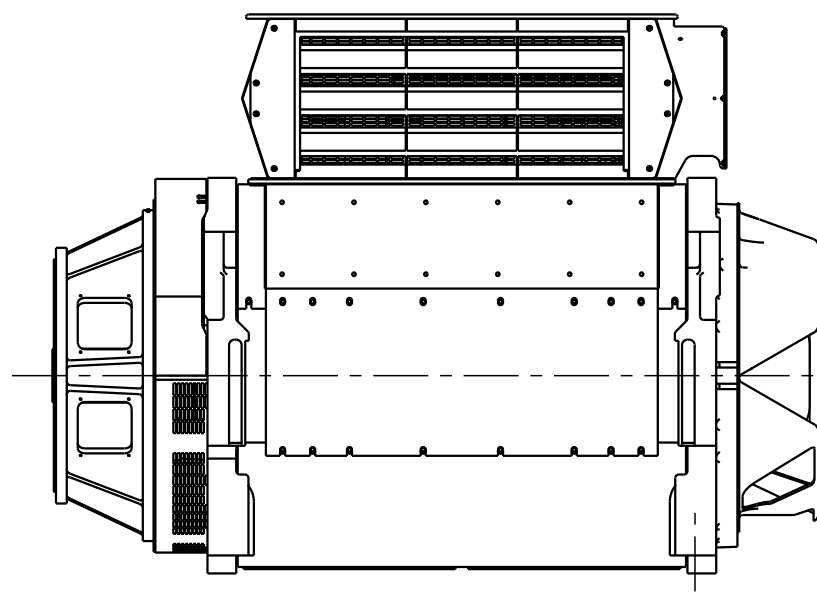
P80 ALTERNATOR LV T CORE
CENTRE HEIGHT = INTEGRAL 500
CONNECTION ADAPTOR SAE0

MATERIAL PROPS	-	DIMENSIONS IN MILLIMETRES (MM) AT 20°C	PROJECTION			SCALE 1:10	MATERIAL SEE BOM
FINISH SPEC	-						
GEOMETRY SPEC	-	SURFACE FINISH VALUES IN MICRO METRES	WEIGHT = 6321 KG			DRG. SIZE C	CASTING No -
ASSEMBLY SPEC	-		DRAWN	IAM	11/09/07	REL. PHASE P	
PERFORMANCE SPEC	-	UNLIMITED DIMS ± --	CHECKED	IAM	11/09/07	PART No 80-2391	ISSUE A
QUALITY SPEC	-		APPROVED	R.MAC	11/09/07		
							SHEET 1 OF 2 SHEETS

4-8326-05	A	IAM	11/09/07	ORIGINAL ISSUE
MOD.	ISSUE	DRAWN	DATE	MODIFICATION



2 BEARING SHAFT DETAIL
SCALE 1:5



FRAME	P80
CORE LENGTH	T
VOLTAGE RATING	LV
BEARINGS	2
CENTRE HEIGHT	INTEGRAL 500
ADAPTOR	SAE0
COUPLING	NONE
ENCLOSURE	IP23
CABLE ENTRY FROM DE	LEFT

CONFIDENTIAL PROPERTY OF CUMMINS GENERATOR TECHNOLOGIES LTD				P80 ALTERNATOR LV T CORE CENTRE HEIGHT = INTEGRAL 500 CONNECTION ADAPTOR SAE0	
MATERIAL PROPS	-	DIMENSIONS IN MILLIMETRES (MM) AT 20°C	PROJECTION	SCALE	MATERIAL
FINISH SPEC	-	SURFACE FINISH VALUES IN MICRO METRES	WEIGHT = 6321 NG	1:10	SEE BOM
GEOMETRY SPEC	-			DRG. SIZE	CASTING No
ASSEMBLY SPEC	-	UNLIMITED DIMS ±	CHECKED IAM 11/09/07	A	PART No
PERFORMANCE SPEC	-		APPROVED R.MAC 11/09/07	P	80-2391
QUALITY SPEC	-			REL. PHASE	ISSUE
				P	A
				PREP/ENGINEER	SHEET 2 OF 2 SHEETS

4-8326-05	A	IAM	11/09/07	ORIGINAL ISSUE
MOD.	ISSUE	DRAWN	DATE	MODIFICATION