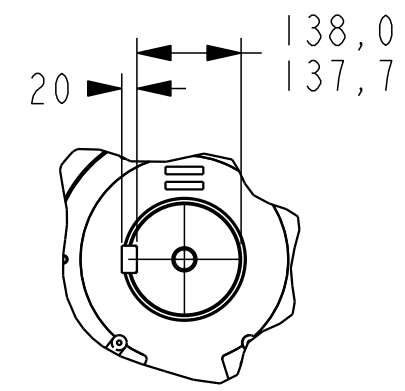
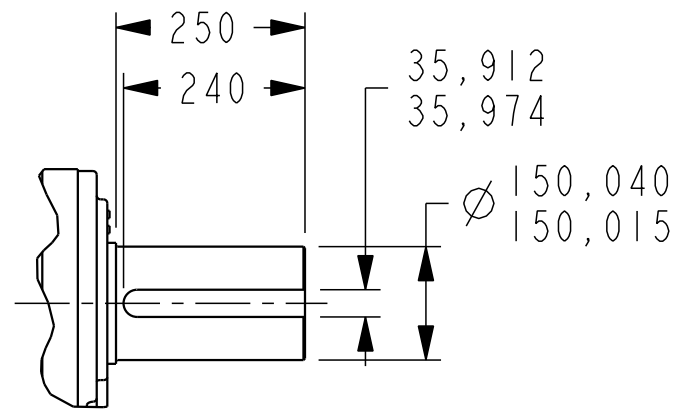
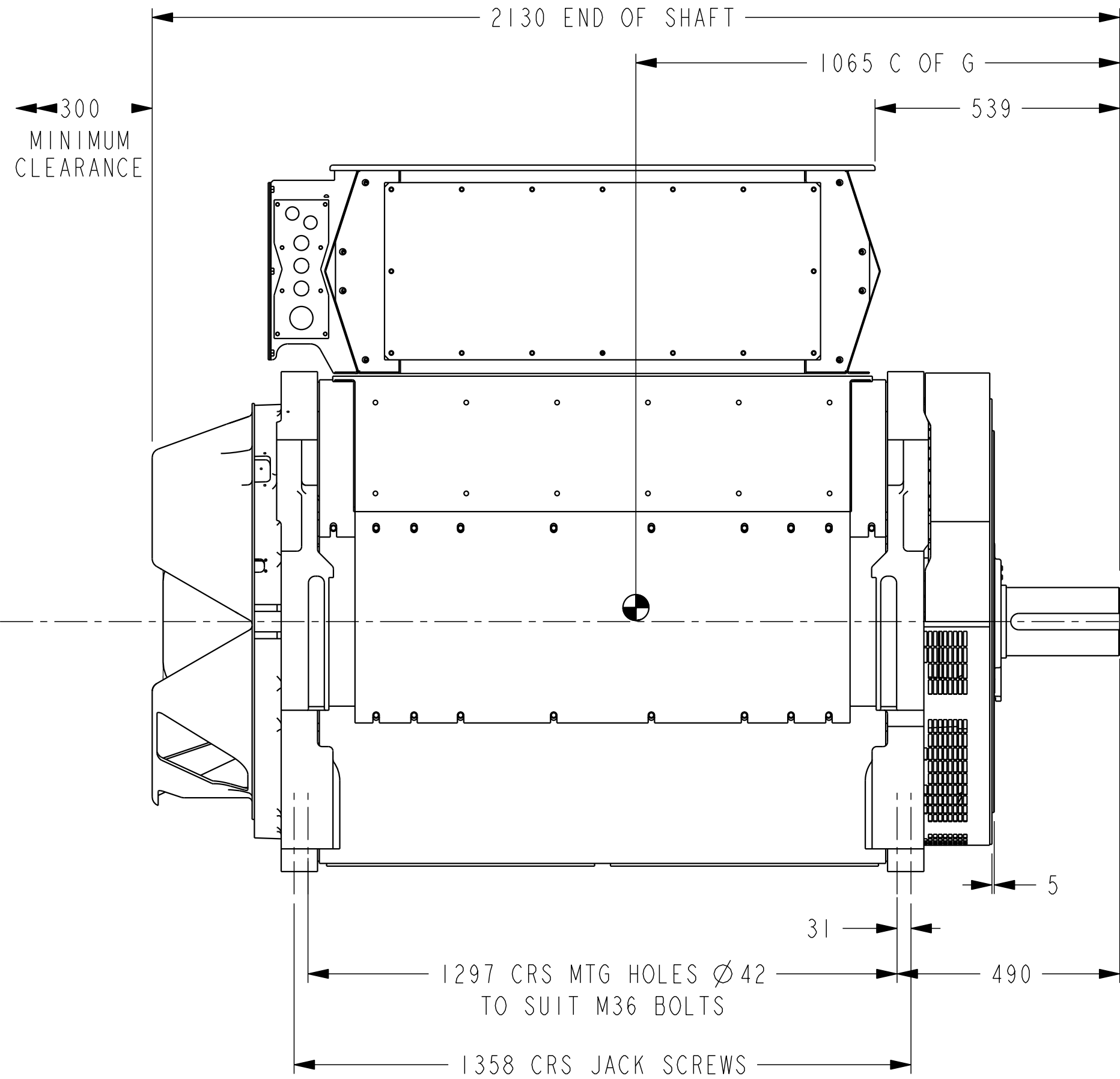


DRG. SIZE C	REL. PHASE P	PART No 80-2398	ISSUE A
----------------	-----------------	--------------------	------------

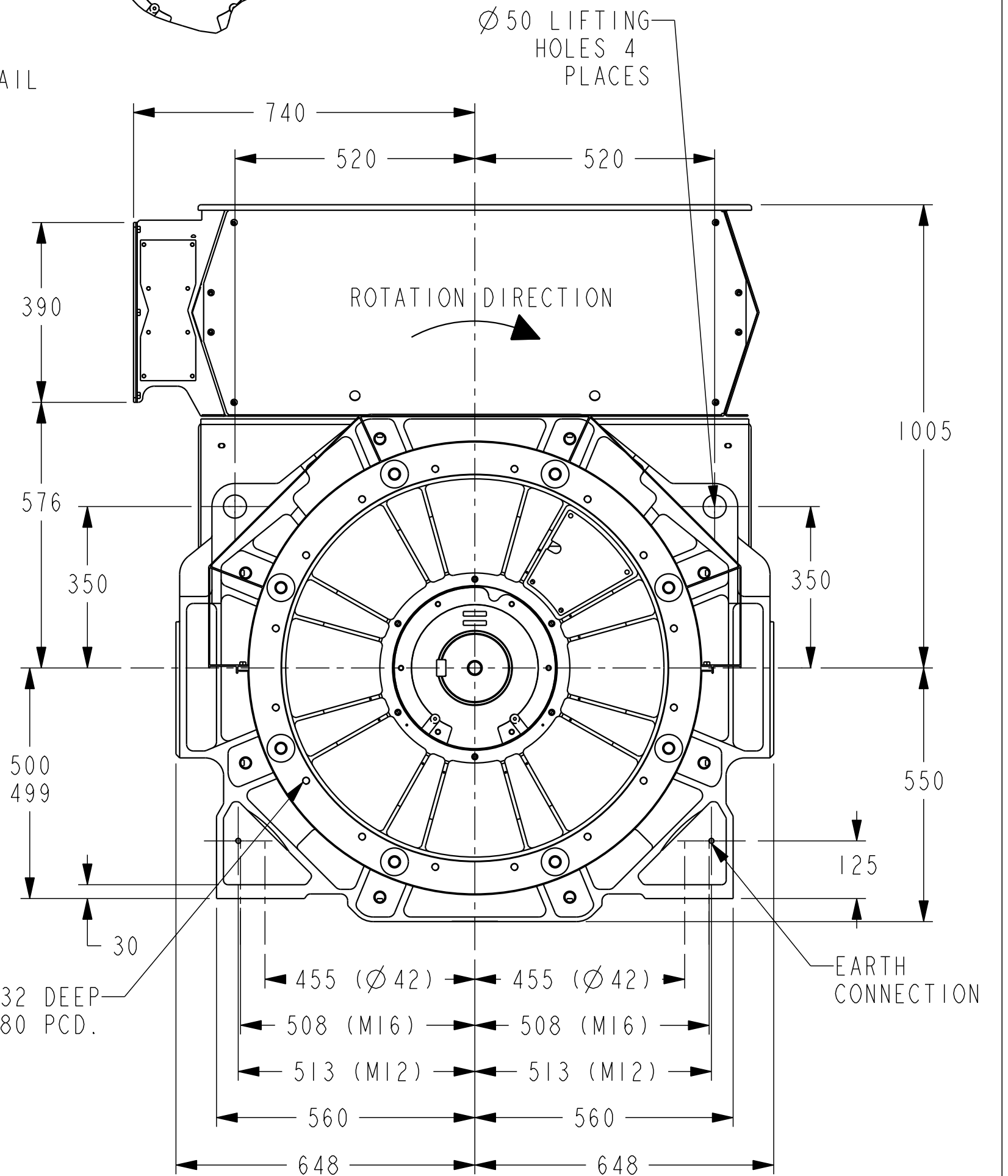
IF IN DOUBT-ASK
DO NOT SCALE



2 BEARING DETAIL
SCALE 1:10



APPROVED DOCUMENT



16-HOLES M16 X 32 DEEP
EQUI-SPACED ON AN 880 PCD.

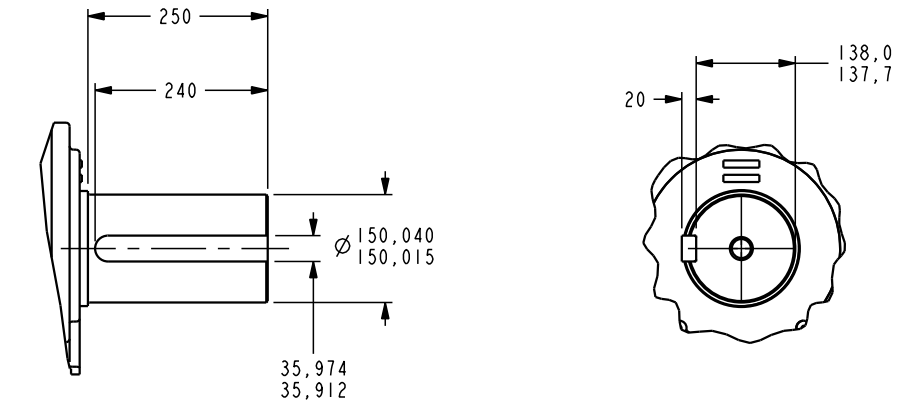
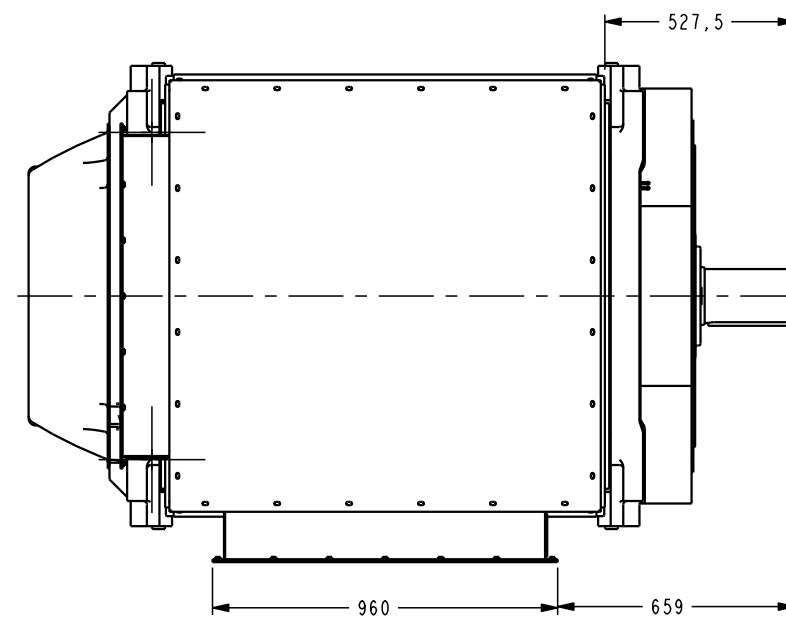
CONFIDENTIAL PROPERTY OF
CUMMINS GENERATOR TECHNOLOGIES LTD

P80 ALTERNATOR MV S CORE
CENTRE HEIGHT = INTEGRAL 500
CONNECTION ADAPTOR NONE

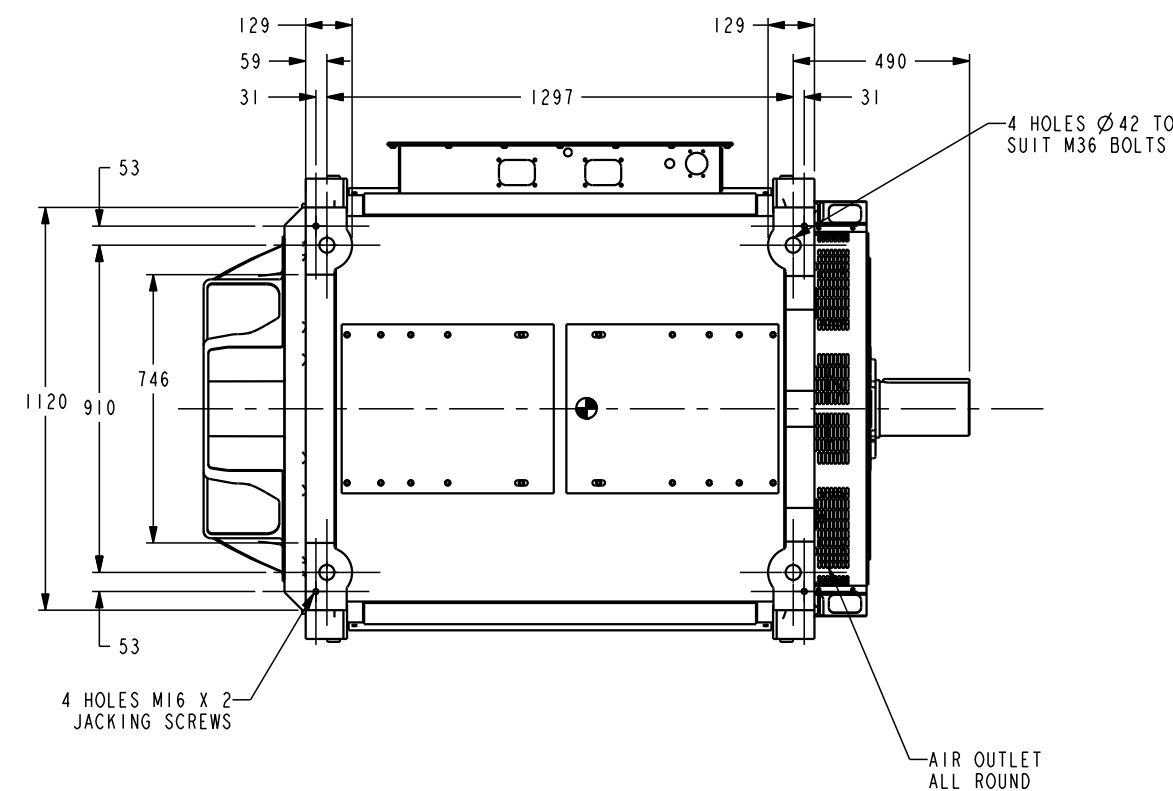
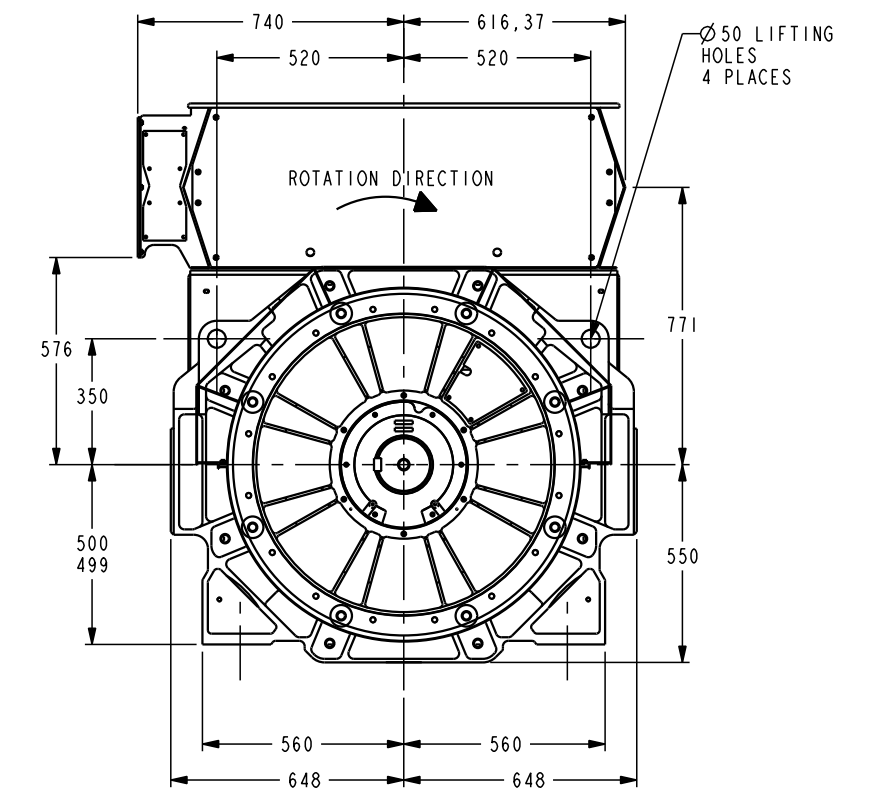
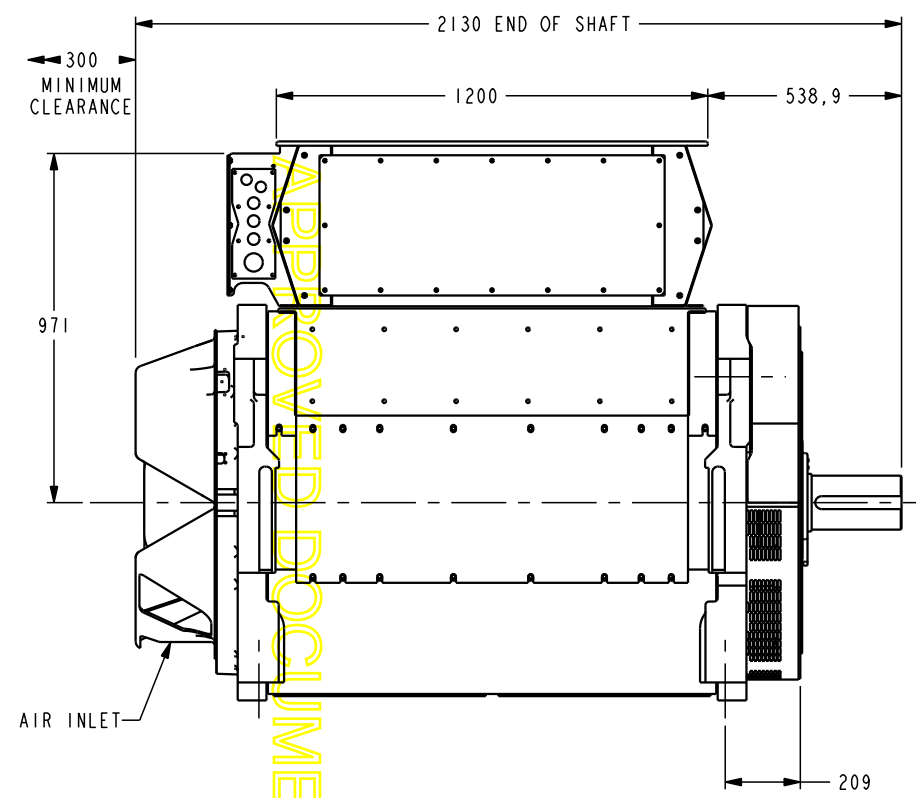
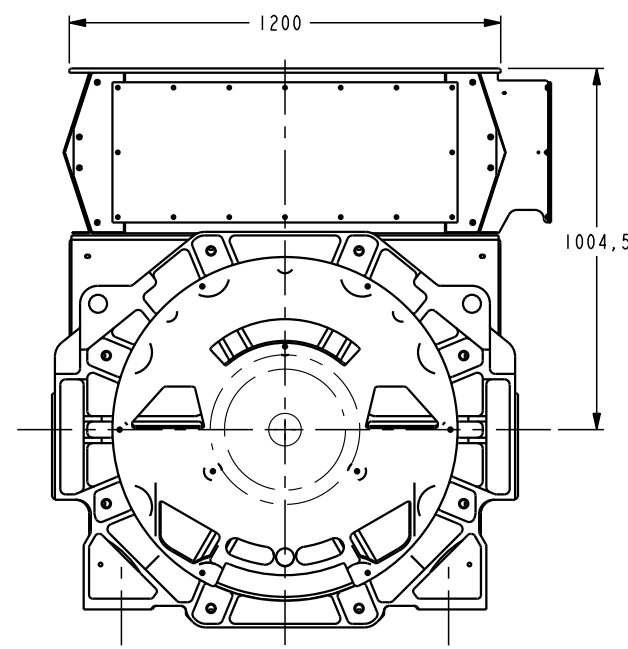
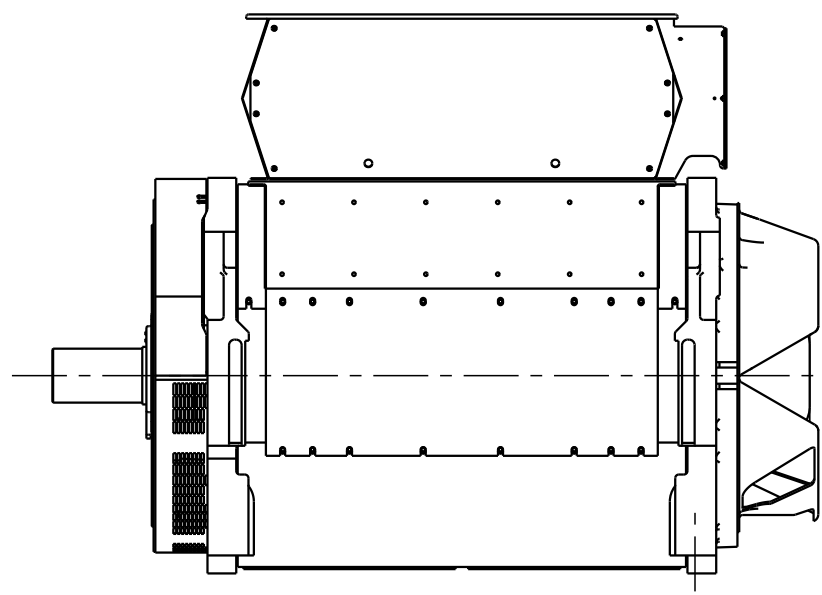
4-8326-05	A	IAM	11/09/07	ORIGINAL ISSUE
MOD.	ISSUE	DRAWN	DATE	MODIFICATION

MATERIAL PROPS	-	DIMENSIONS IN MILLIMETRES (MM) AT 20°C	PROJECTION		
FINISH SPEC	-				
GEOMETRY SPEC	-		WEIGHT = 5647 KG		
ASSEMBLY SPEC	-		DRAWN	IAM	11/09/07
PERFORMANCE SPEC	-		CHECKED	IAM	11/09/07
QUALITY SPEC	-	UNLIMITED DIMS ±	APPROVED	R.MAC	11/09/07

SCALE	1:10	MATERIAL	SEE BOM
DRG. SIZE	C	CASTING No	-
REL. PHASE	P	PART No	80-2398
PRO/ENGINEER		ISSUE	A
SHEET		1 OF 2 SHEETS	



2 BEARING SHAFT DETAIL
SCALE 1:5



FRAME	P80
CORE LENGTH	S
VOLTAGE RATING	MV
BEARINGS	2
CENTRE HEIGHT	INTEGRAL 500
ADAPTOR	NONE
COUPLING	NONE
ENCLOSURE	IP23
CABLE ENTRY FROM DE	LEFT

CONFIDENTIAL PROPERTY OF CUMMINS GENERATOR TECHNOLOGIES LTD				P80 ALTERNATOR MV S CORE CENTRE HEIGHT = INTEGRAL 500 CONNECTION ADAPTOR NONE	
MATERIAL PROPS	-	DIMENSIONS IN MILLIMETRES (MM) AT 20°C	PROJECTION	SCALE	MATERIAL
FINISH SPEC	-	SURFACE FINISH VALUES IN MICRO METRES	WEIGHT = 5647 KG	1:10	SEE BOM
GEOMETRY SPEC	-			DRG. SIZE	A
ASSEMBLY SPEC	-	UNLIMITED DIMS ±	CHECKED	IAM	11/09/07
PERFORMANCE SPEC	-		APPROVED	R.MAC	11/09/07
QUALITY SPEC	-				
				REL. PHASE	P
				PART No	80-2398
				ISSUE	A
				SHEET	2 OF 2 SHEETS

4-8326-05	A	IAM	11/09/07	ORIGINAL ISSUE
MOD.	ISSUE	DRAWN	DATE	MODIFICATION