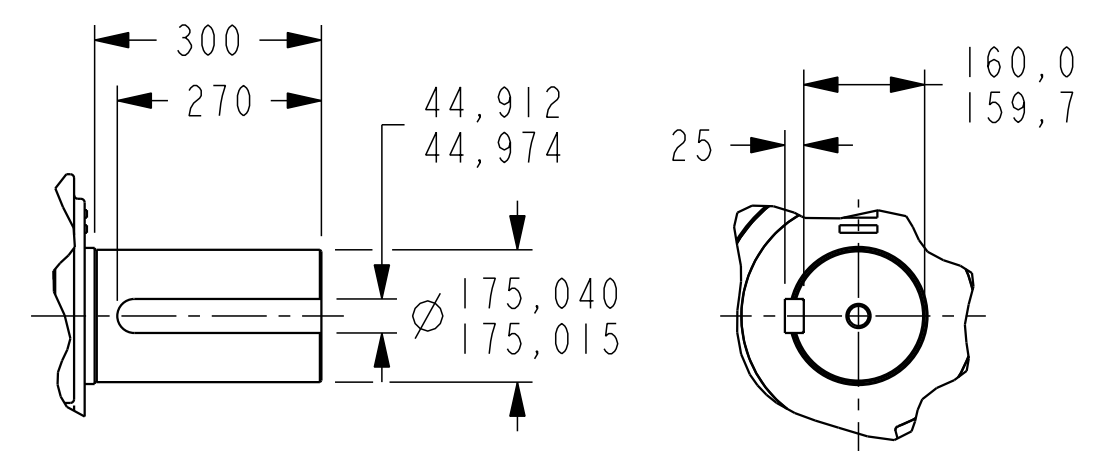
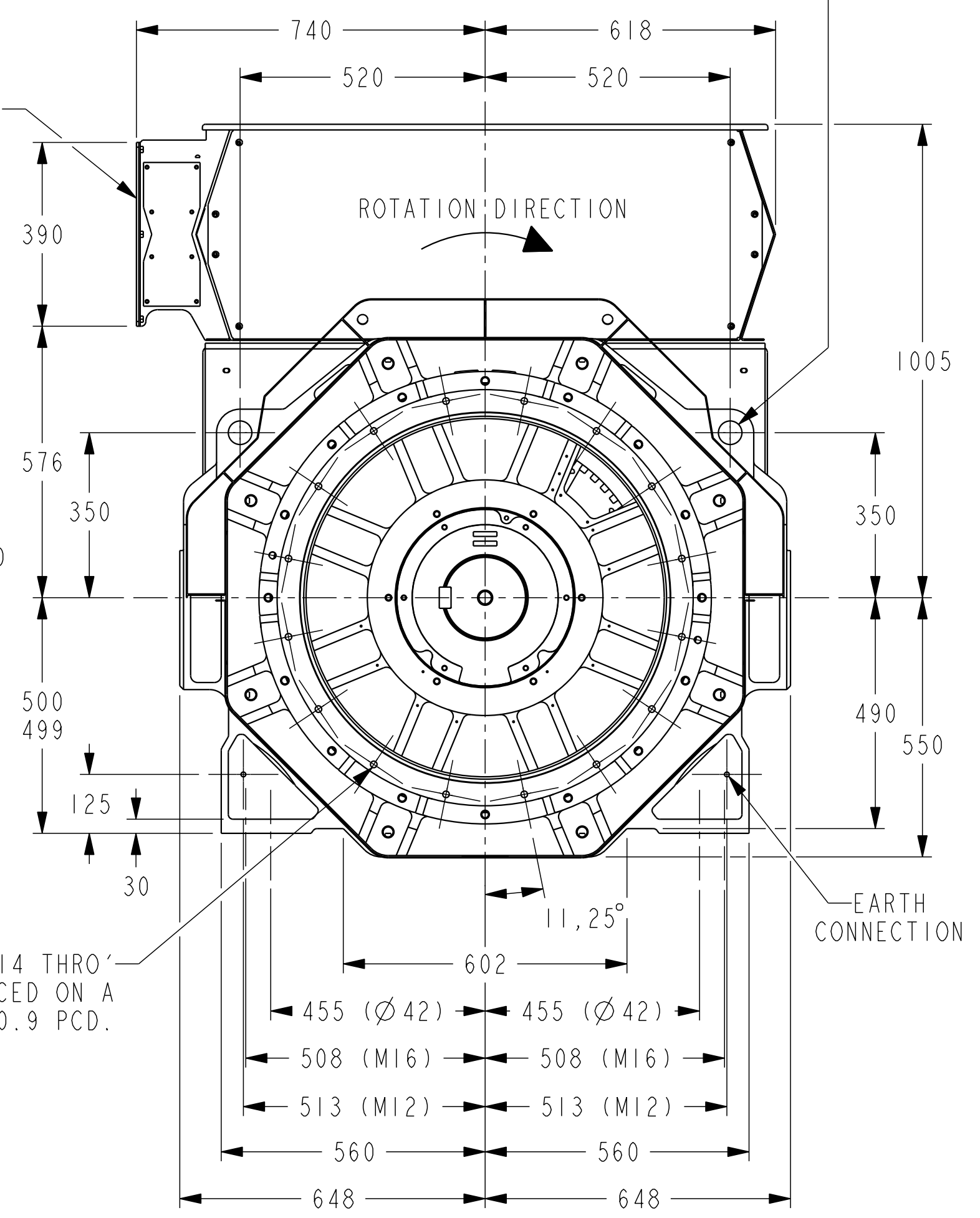
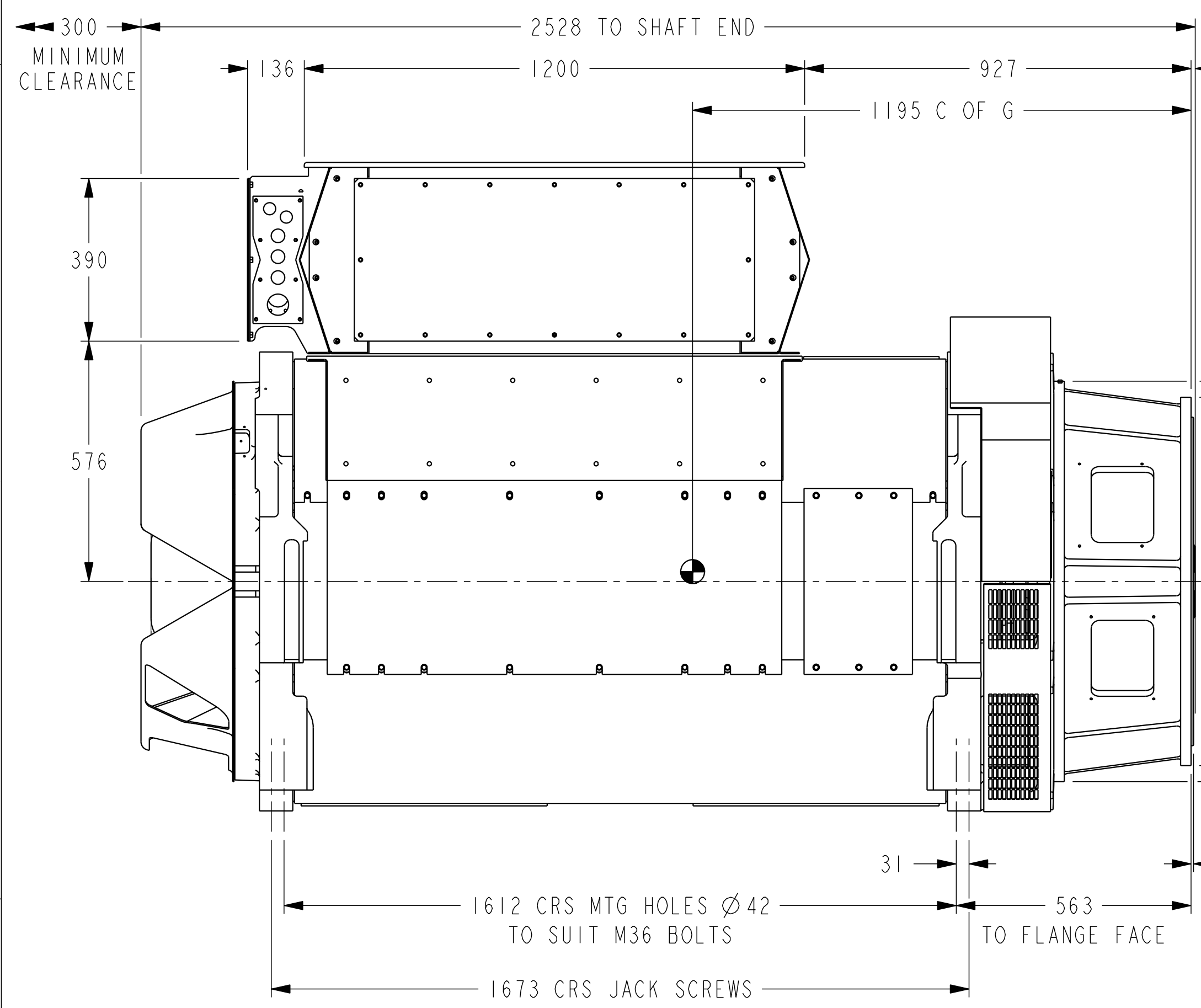


| REL NO | REV | NO | REVISION | DWN | CKD | APVD | DATE |
|------------|-----|----|--|-----|-----|----------|---------|
| ECO-180214 | B | 1 | DRAWING BORDER AND DIMENSIONING SCHEME UPDATED | AS | TC | W. COOKE | 10SEP18 |



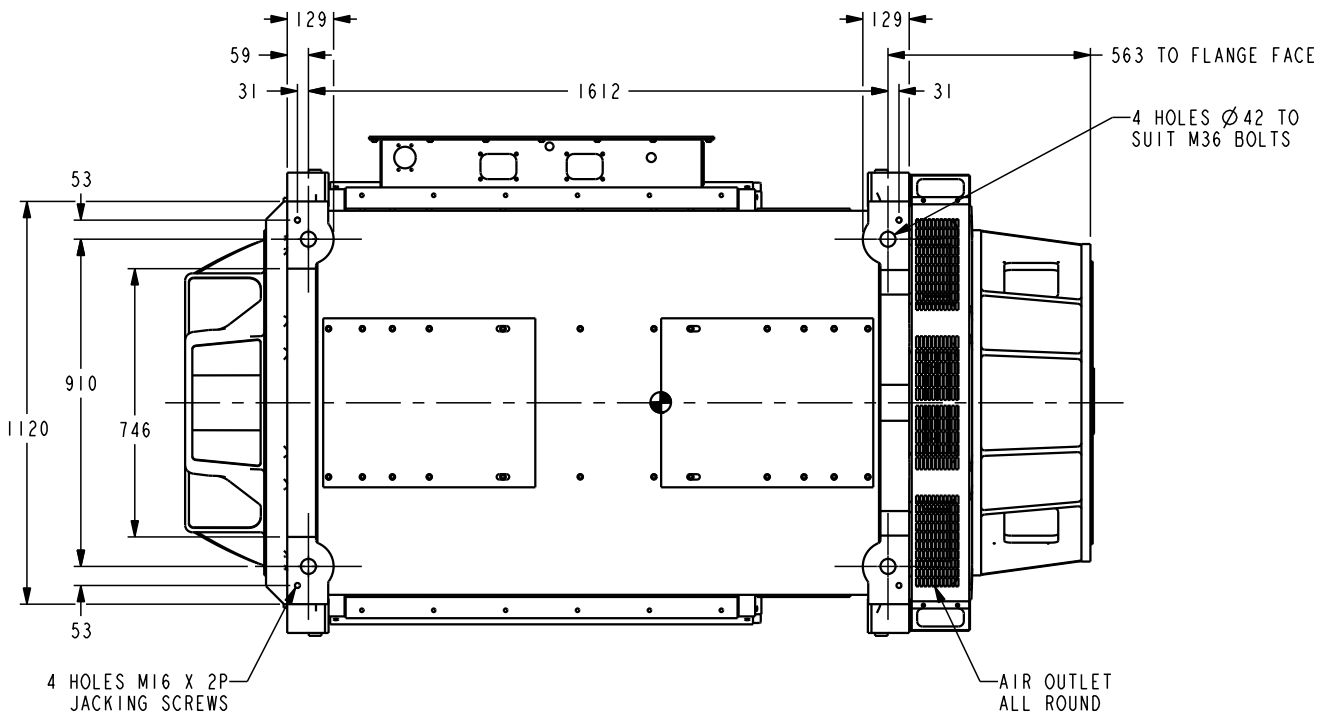
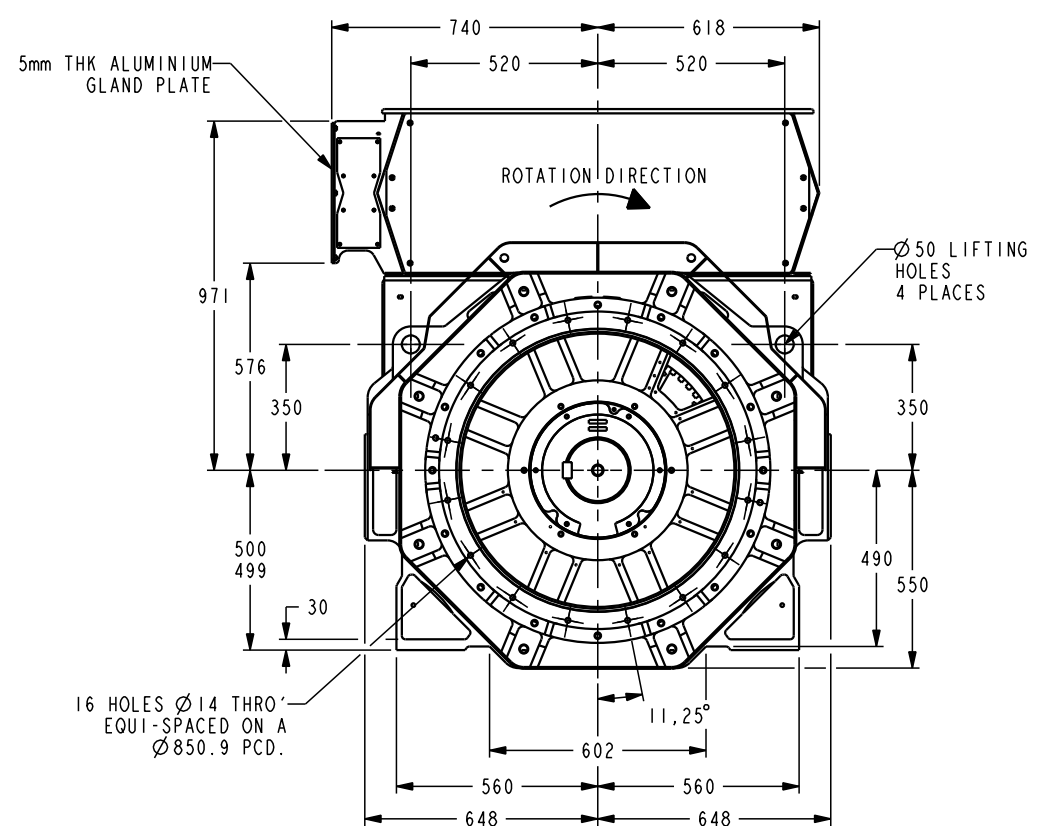
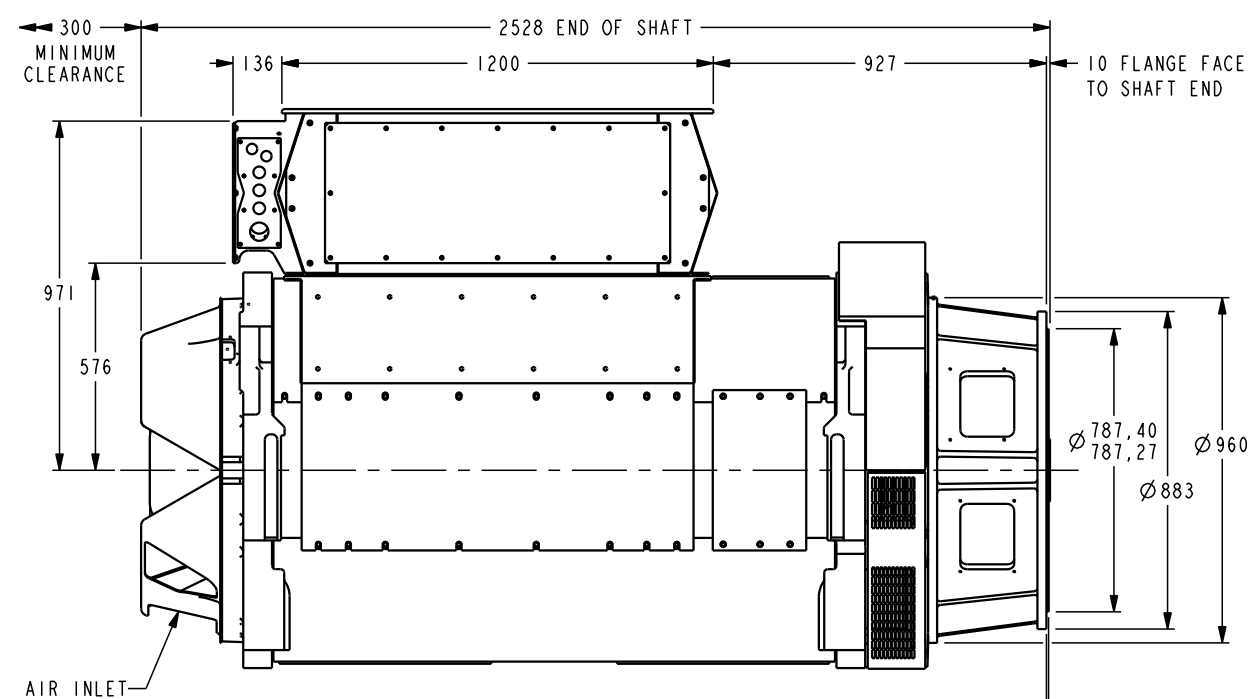
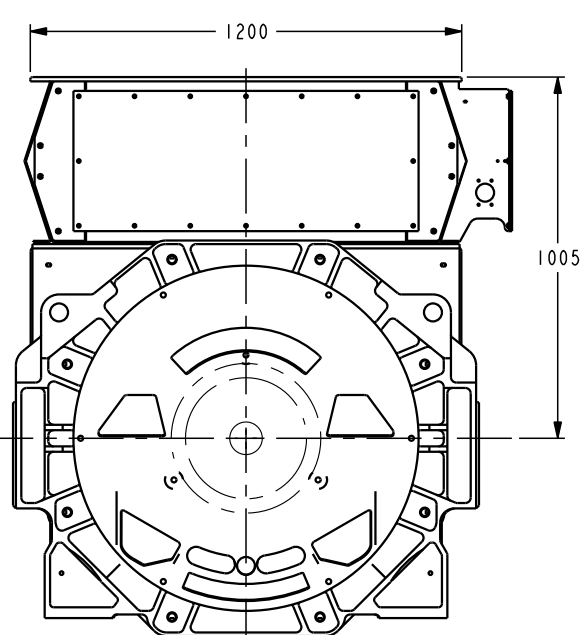
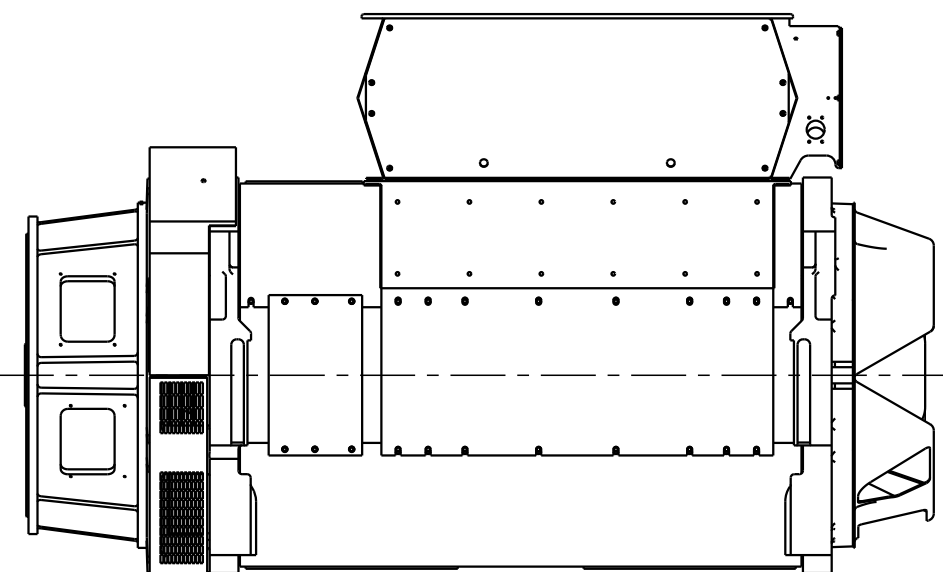
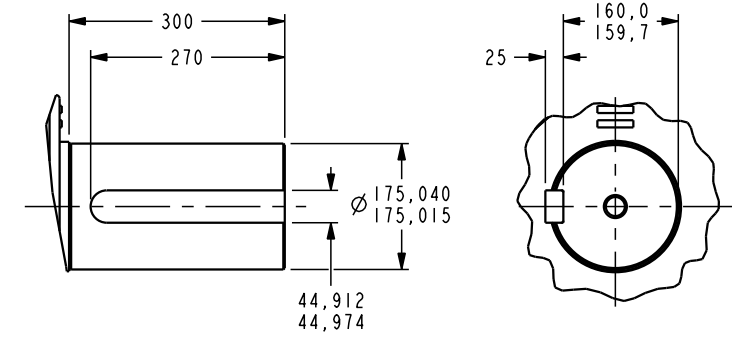
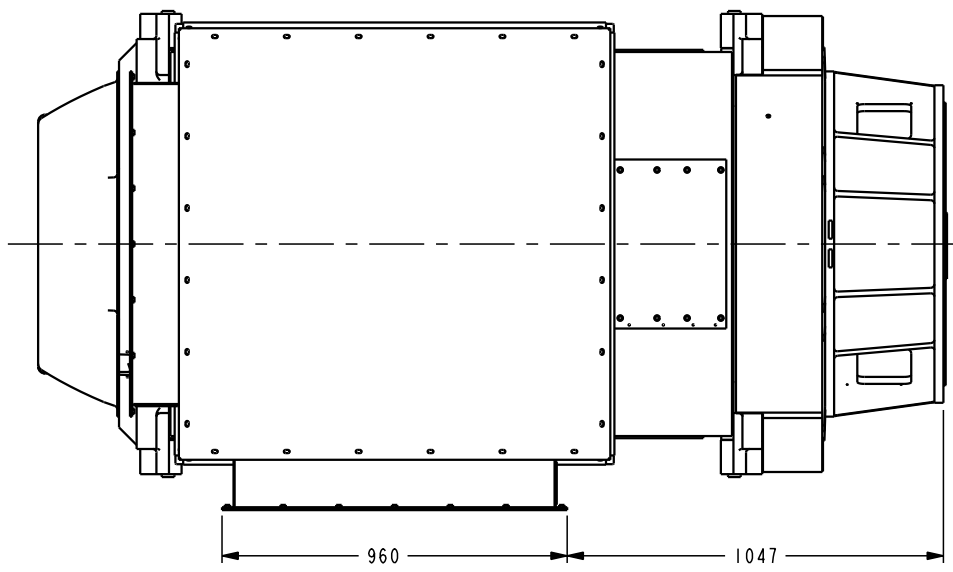
2 BEARING DETAIL SCALE 1:10

Ø 50 LIFTING HOLES 4 PLACES



NOMINAL WEIGHT BASED ON CAD MODEL 8031KG; NOT FOR INSPECTION

| | | | | | |
|--|---|------------------|---------------|---|------------------|
| UNLESS OTHERWISE SPECIFIED, ALL DIMENSIONS ARE IN MILLIMETERS | SIM TO | DWN I. MUGHAL | | CUMMINS GENERATOR TECHNOLOGIES | |
| | DO NOT SCALE PRINT | CKD I. MUGHAL | | DRAWING, GENERAL ASSEMBLY | |
| SCALE 1:10 | | APVD R. MACMENEY | SITE CODE | P80 MV W CORE / INTEGRATED FOOT / SAE00 | |
| THIS DOCUMENT (AND THE INFORMATION SHOWN THEREON) IS CONFIDENTIAL AND PROPRIETARY AND SHALL NOT BE DISCLOSED TO OTHERS IN HARD COPY OR ELECTRONIC FORM, REPRODUCED BY ANY MEANS, OR USED FOR ANY PURPOSE WITHOUT WRITTEN CONSENT OF CUMMINS INC. | FOR INTERPRETATION OF DIMENSIONING AND TOLERANCING, SEE ASME Y14.5-2009 | DATE 24SEP07 | FIRST USED ON | DWG SIZE A2 | 80-2448 |
| | | | | STA | CAD SHEET 1 OF 2 |



NOMINAL WEIGHT BASED ON CAD MODEL: 8031KG NOT FOR INSPECTION

| | | | | |
|--|--------------------|--|-------------|--|
| UNLESS OTHERWISE SPECIFIED, ALL DIMENSIONS ARE IN MILLIMETERS | DO NOT SCALE PRINT | DES: I. MUGHAL APPD: I. MUGHAL DATE: 24SEP07 | SCALE: 1:10 | CUMMINS GENERATOR TECHNOLOGIES DRAWING, GENERAL ASSEMBLY P80 MW W CORE / INTEGRATED FOOT / SAE80 |
| THIS DOCUMENT AND THE INFORMATION CONTAINED HEREIN IS UNCLASSIFIED EXCEPT WHERE SHOWN OTHERWISE. IT IS TO BE CONTAINED IN THE PUBLIC DOMAIN AND IS TO BE RELEASED TO THE PUBLIC BY THE NATIONAL ARCHIVES AND RECORDS ADMINISTRATION. FOR MORE INFORMATION, CONTACT THE NATIONAL ARCHIVES AND RECORDS ADMINISTRATION AT (301) 837-1000. | DATE: 24SEP07 | SITE CODE: P80 MW W CORE / INTEGRATED FOOT / SAE80 | STA: AO | 80-2448 |