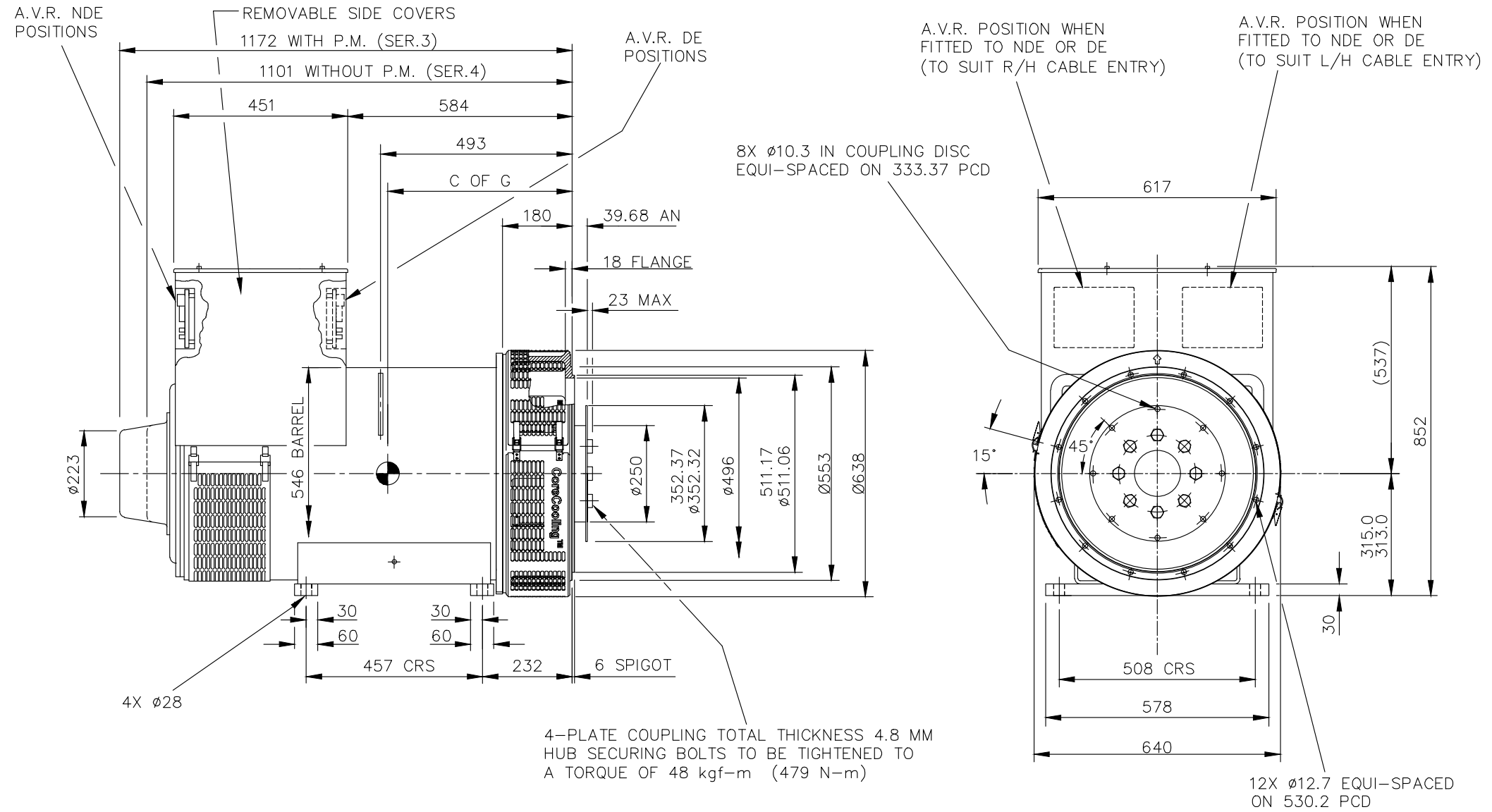


CORE	C OF G (mm)	WEIGHT (KG)
C	463	850
D	483	940
E	504	1024

NOTE: -

1. CUSTOMER MAY CUT CABLE ENTRY HOLES AS REQUIRED IN ANY OF THE FOUR TERMINAL BOX SIDES SUBJECT TO POSITION OF A.V.R, TERMINALS ETC.



Cummins Generator Technologies

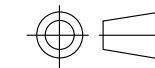


DIMENSIONS ARE IN: MILLIMETERS
[] ARE IN: ----

SIZE: **A3**

SCALE: NTS

DIMENSIONING AND TOLERANCING PER:
ASME Y14.5-2009



THIRD ANGLE PROJECTION

CAD SYSTEM
AutoCAD®

DRAWING SPECIFICATION DESCRIPTION
S4L1D C/D/E 1-BRG
SAE1/11.5, STD T/BOX

Document Generated: 18MAR2020 13:34 GMT



Part Number: A055J596

Change Notice	CN00015804	Alternates	
Manufacturer Part (MEP)	No	Usage	Production Only
Release Phase Code	Production (P)	Drawing Specification	DSA055J596
External Regulations		No External Regulation	

3D image provided when available for visual reference only.

Associated Specifications

Number	Name	Type	Category	Sub-Category
ESA030B356	SPECIFICATION,MATERIAL	Engineering Specification	Material Specification	Prohibited and Restricted Prohibited and Restricted

Drawing Revision Information

Description of Change(s)
ADAPTER, GENERATOR, A063X685 WAS A054S980 SHEET 1 ZONE C5, 638 WAS 620 SHEET 1 ZONE C5, 553 WAS 553.5

Drawing Authorization

Drafter	Bhushan Ashok Surve	Date	18MAR2020
Checker	Bhushan Ashok Surve	Date	18MAR2020
Approver	NO APPROVAL REQUIRED	Date	

Document Generated: 18MAR2020 13:34 GMT