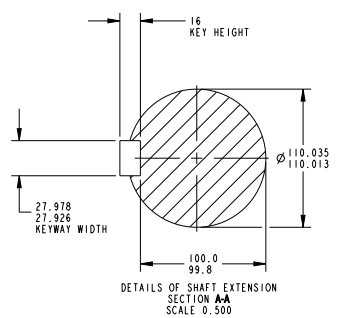
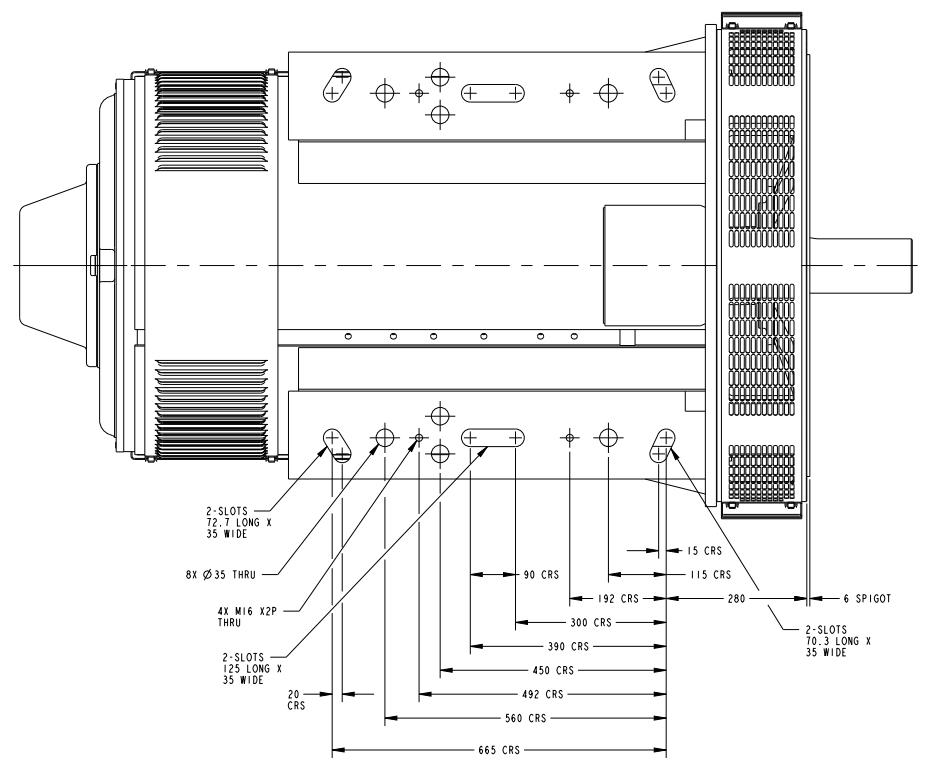
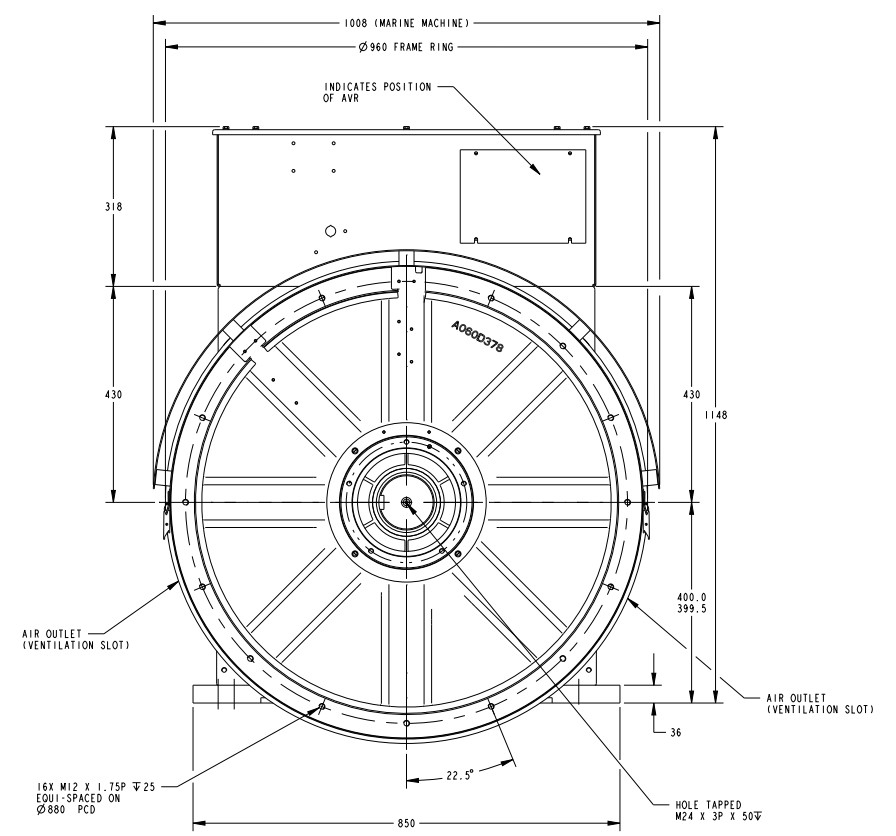
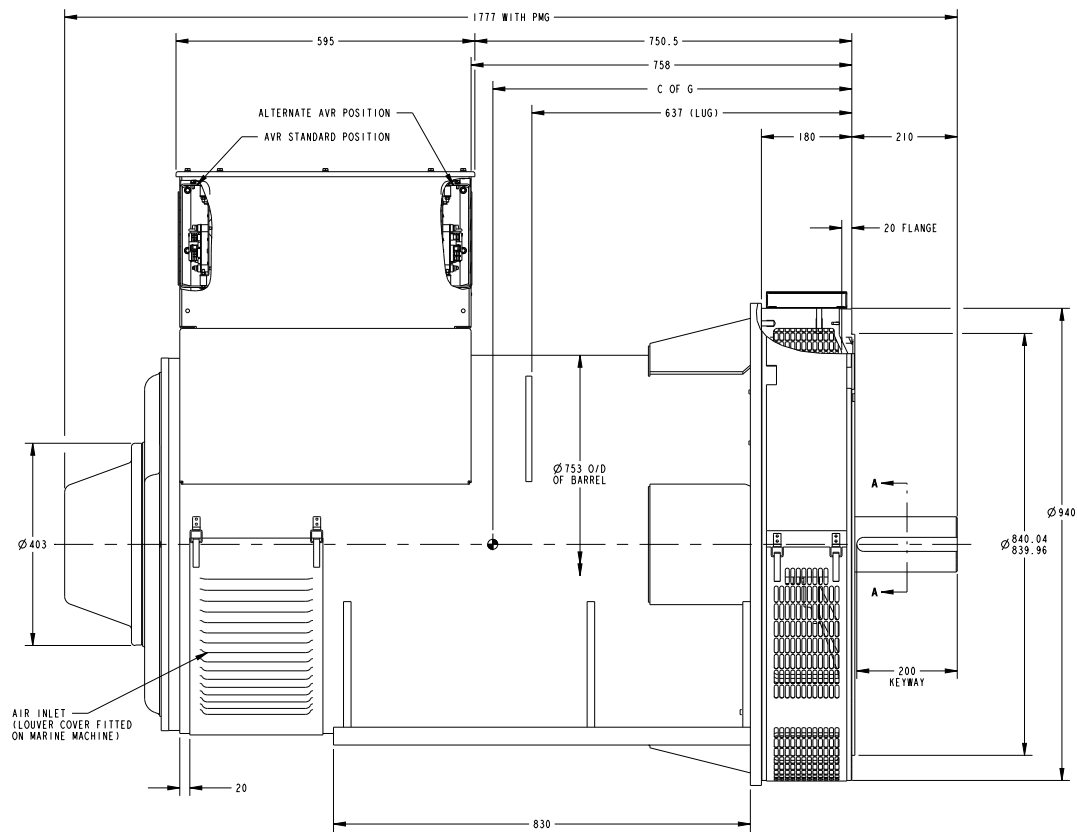
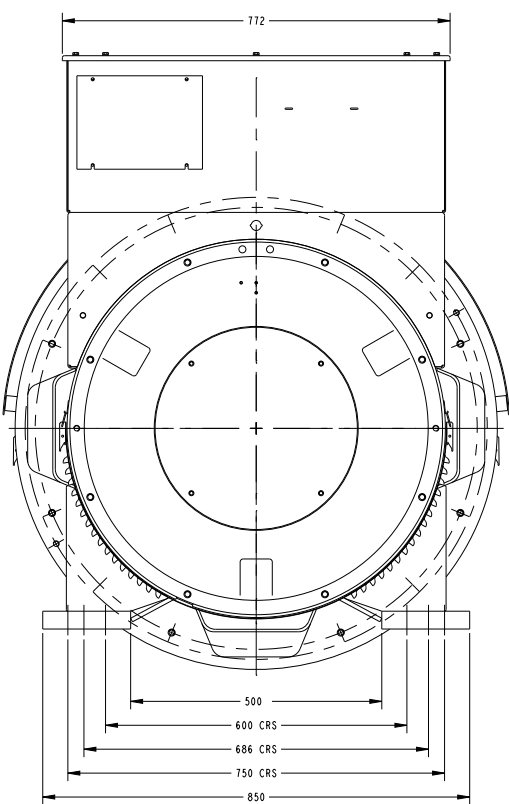


CORE	WEIGHT (KG)	C OF G
H	2962	724

REV. NO.	REV.	REVISION	REV. CD	APVD	DATE
ECO-182912	B	1	ZONE D4, FOR C CORE WEIGHT 2962 WAS 2836	KSKIRDHJ	17.JAN.19
		2	ZONE B2, DIM 16 WAS 8	KSKIRDHJ	17.JAN.19
		3	ZONE C3, ADD DIM 20	KSKIRDHJ	17.JAN.19
		4	ZONE C2 & C3, ADD DIM 830	KSKIRDHJ	17.JAN.19

NOTES:
 1. CUSTOMER MUST ENSURE THAT AIR INLET & OULET POSITIONS ARE NOT OBSTRUCTED
 2. VENTILATION SLOTS NOT REQUIRED ON SOME REDUCED LOAD APPLICATIONS



UNLESS OTHERWISE SPECIFIED, ALL DIMENSIONS ARE IN MILLIMETERS	SCALE 0.200	DO NOT SCALE PRINT	DRW. NO. K. PATIL CND. R. HANABAR APVD. I. SAUNDATTI DATE 04APR18	STA	DATE 17.JAN.19	1 OF 1
CUMMINS GENERATOR TECHNOLOGIES			DRAWING, GENERAL ASSEMBLY		S6	
A059X859			A059X859		A059X859	