

Document Generated: 17JUN2019 12:04 GMT

Cummins Data Classification:  
**Cummins Confidential**

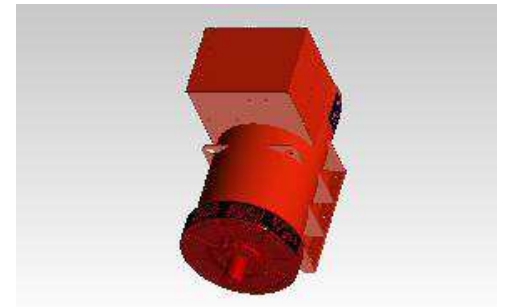
This document (and the information shown thereon) is **Confidential and Proprietary** and shall not be disclosed to others in hard copy or electronic form, reproduced by any means, or used for any purpose without written consent of Cummins Inc.

Part Number: **A063C051** Part Revision: **A**  
 Part Name: **ARRANGEMENT, GENERATOR GENERAL**  
 Drawing Category: **Detail** State: **Released** Sheet 1 of 2



**Part Number: A063C051**

Change Notice	CN00005287	Alternates	
Manufacturer Part (MEP)	No	Usage	Production Only
Release Phase Code	Production (P)	Drawing Specification	DS47009687
External Regulations	No External Regulation		



3D image provided when available for visual reference only.

**Associated Specifications**

Number	Name	Type	Category	Sub-Category
ESA030B356	SPECIFICATION,MATERIAL	Engineering Specification	Material Specification	Prohibited and Restricted  Prohibited and Restricted

**Drawing Revision Information**

Description of Change(s)
PRODUCTION RELEASE

**Drawing Authorization**

Drafter	Kuldeep Dilip Pawar	Date	17JUN2019
Checker	Umesh Krushnarao Dagwale	Date	17JUN2019
Approver	NO APPROVAL REQUIRED	Date	

Document Generated: 17JUN2019 12:04 GMT