

DIMENSIONS				
FRAME	A	B	C	D
CDE	1464	1393	585	511
F	1539	1468	660	586

ADAPTER	AD
SAE00	170
SAE0	170
SAE1/2	150
SAE1	170

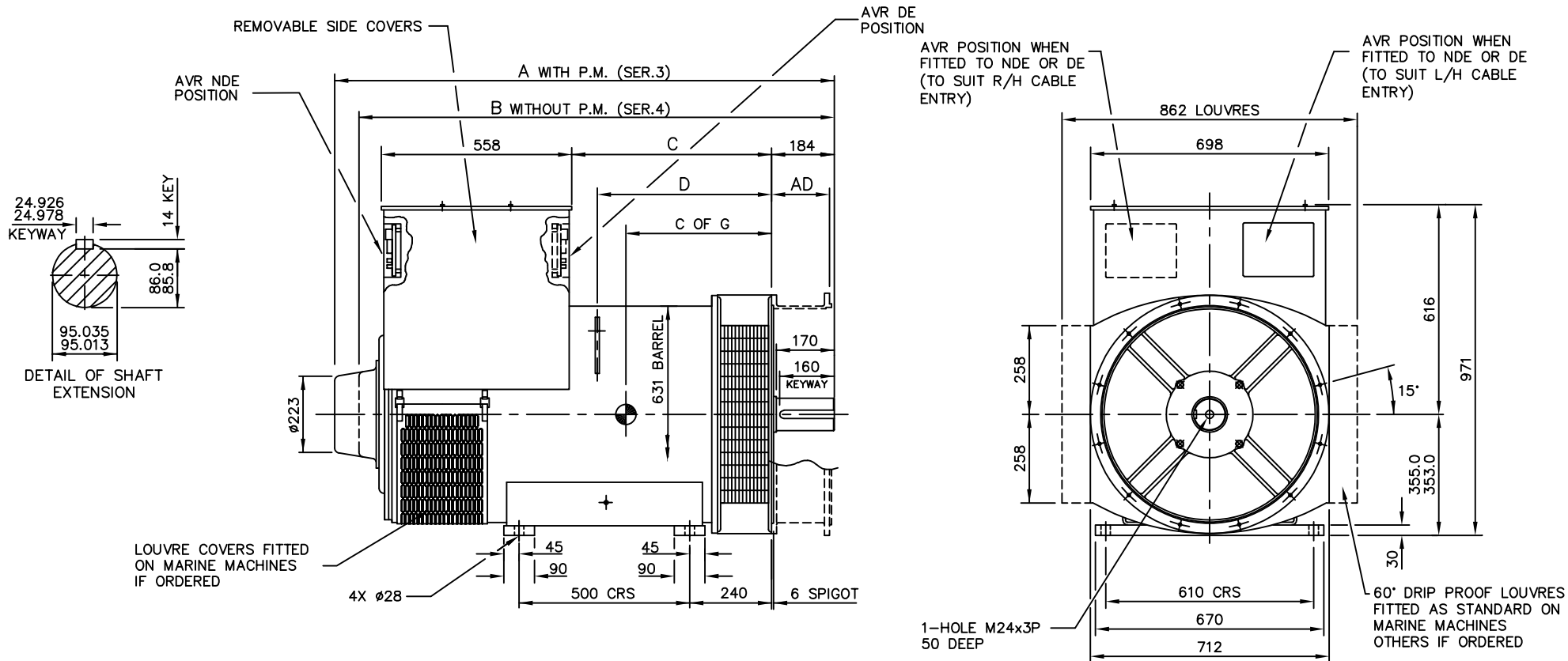
CORE	C OF G	NETT WT.kg
C	498	1250
D	518	1358
E	538	1498
F	565	1653

REL NO	REV	NO	DETAILS	DWN	CKD	APVD	DATE
ECO-184160	G	1	TITLE BLOCK, ADDITIONAL DESCRIPTION, ADD S5	TVK	DGL	K.WEJRZANOWSKI	26FEB19
		2	IN DIMENSIONS TABULATION , RMV HC5 FROM FRAME COLUMN	TVK	DGL	K.WEJRZANOWSKI	26FEB19

WEIGHTS DO NOT INCLUDE SAE ADAPTER FLANGES

NOTES: -

- CUSTOMER MAY CUT CABLE ENTRY HOLES AS REQUIRED IN ANY OF THE FOUR TERMINAL BOX SIDES SUBJECT TO POSITION OF AVR, TERMINALS, ETC.
- FOR FLANGE ADAPTER DETAILS SEE SHEET2

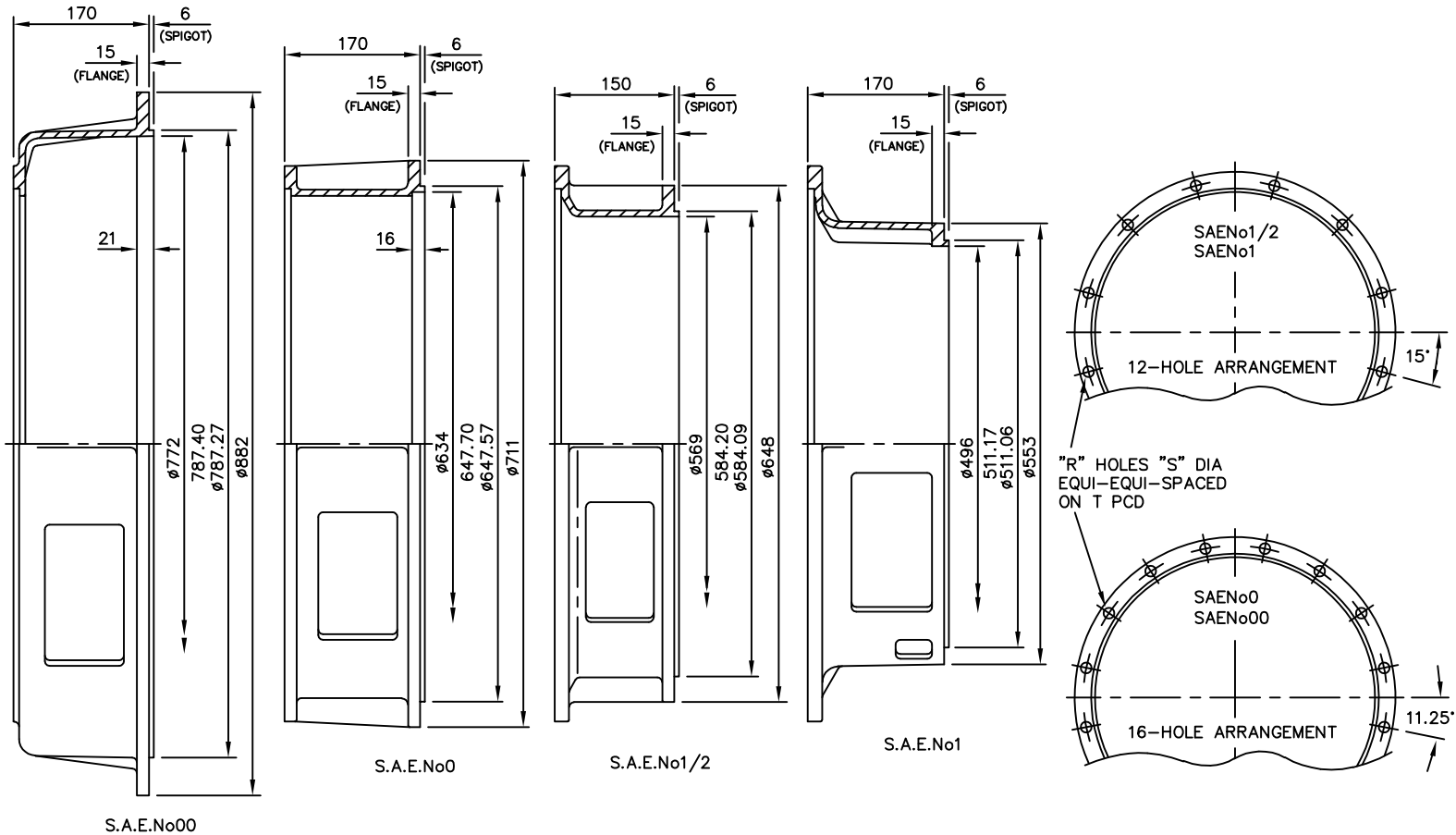


UNLESS OTHERWISE SPECIFIED, ALL DIMENSIONS ARE IN MILLIMETERS	SIM TO -	DRAWN S.MCLEAN		CUMMINS GENERATOR TECHNOLOGIES		
	DO NOT SCALE PRINT	CHECKED S.MCLEAN		DRAWING, GENERAL ASSEMBLY		
SCALE 1:10		APPROVED C.RAWLINGS	SITE CODE	HC5/S5 CDEF 2-BRG STD GA		
THIS DOCUMENT (AND THE INFORMATION SHOWN THEREON) IS CONFIDENTIAL AND PROPRIETARY AND SHALL NOT BE DISCLOSED TO OTHERS IN HARD COPY OR ELECTRONIC FORM, REPRODUCED BY ANY MEANS, OR USED FOR ANY PURPOSE WITHOUT WRITTEN CONSENT OF CUMMINS INC.		DATE 10AUG00		STA	DWG SIZE A4	52-4706
		FOR INTERPRETATION OF DIMENSIONING AND TOLERANCING, SEE ASME Y14.5-2009	FIRST USED ON HC5			

FLANGE ADAPTER				
SAE NO	"R"	"S"	"T"	WEIGHT KG
1	12	Ø12.7	530.2	35.2
1/2	12	Ø14	619.1	36.8
0	16	Ø14	679.5	46.8
00	16	Ø14	850.9	53.5

REL NO	REV	NO	DETAILS	DWN	CKD	APVD	DATE
ECO-184160	G	1	---	TVK	DGL	K.WEJRZANOWSKI	26FEB19

NOTE: -
1. FOR MACHINE DETAILS SEE SHEET1



UNLESS OTHERWISE SPECIFIED, ALL DIMENSIONS ARE IN MILLIMETERS	SIM TO -	DRAWN S.MCLEAN		CUMMINS GENERATOR TECHNOLOGIES		
	DO NOT SCALE PRINT	CHECKED S.MCLEAN		DRAWING, GENERAL ASSEMBLY		
SCALE 1:10		APPROVED C.RAWLINGS	SITE CODE	HC5/S5 CDEF 2-BRG STD GA		
		DATE 10AUG00		STA	DWG SIZE A4	52-4706
THIS DOCUMENT (AND THE INFORMATION SHOWN THEREON) IS CONFIDENTIAL AND PROPRIETARY AND SHALL NOT BE DISCLOSED TO OTHERS IN HARD COPY OR ELECTRONIC FORM, REPRODUCED BY ANY MEANS, OR USED FOR ANY PURPOSE WITHOUT WRITTEN CONSENT OF CUMMINS INC.		FOR INTERPRETATION OF DIMENSIONING AND TOLERANCING, SEE ASME Y14.5-2009	FIRST USED ON HC5			