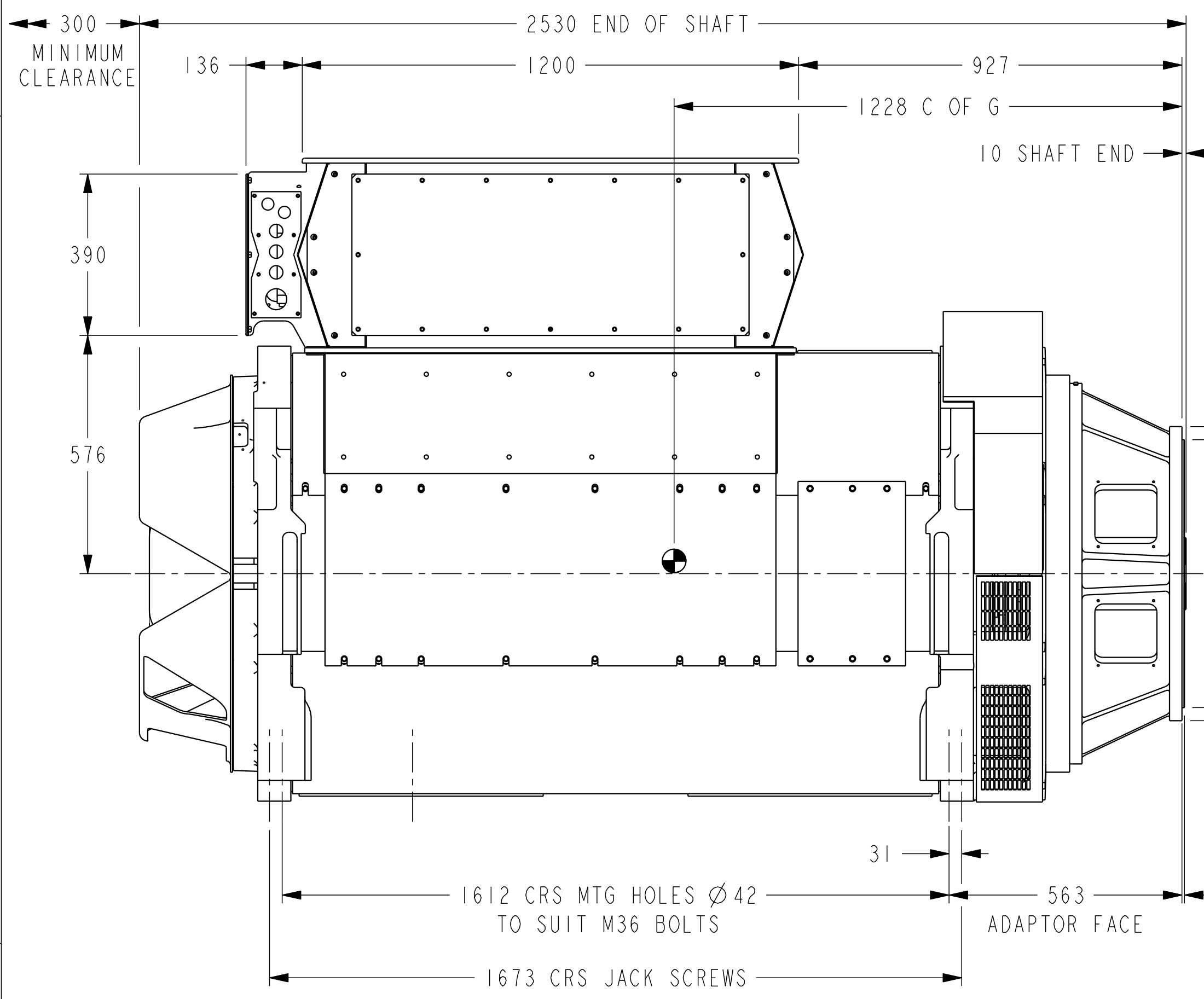
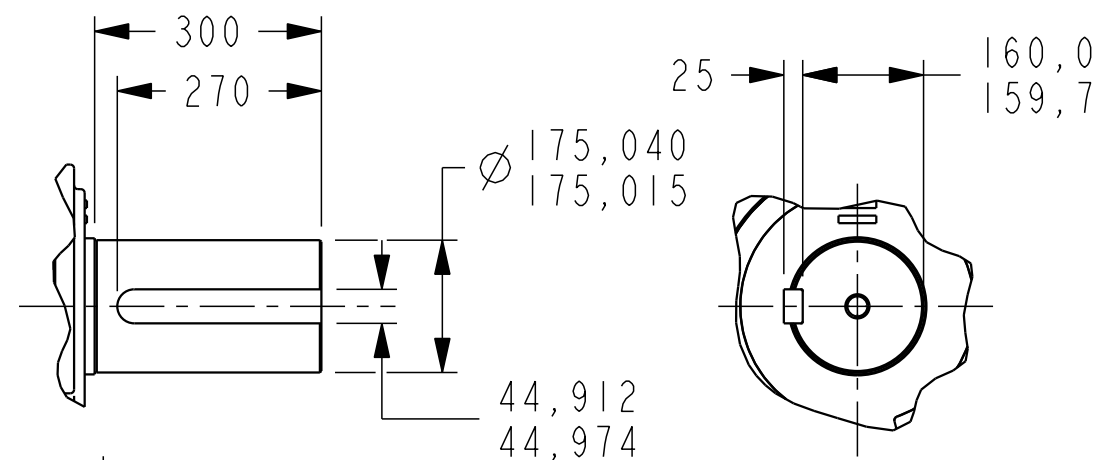


REL NO	REV	DETAIL	DWN	CKD	APVD	DATE
ECO-136203	A	RELEASED PRODUCTION	AS	AGS	AS	08JUL13

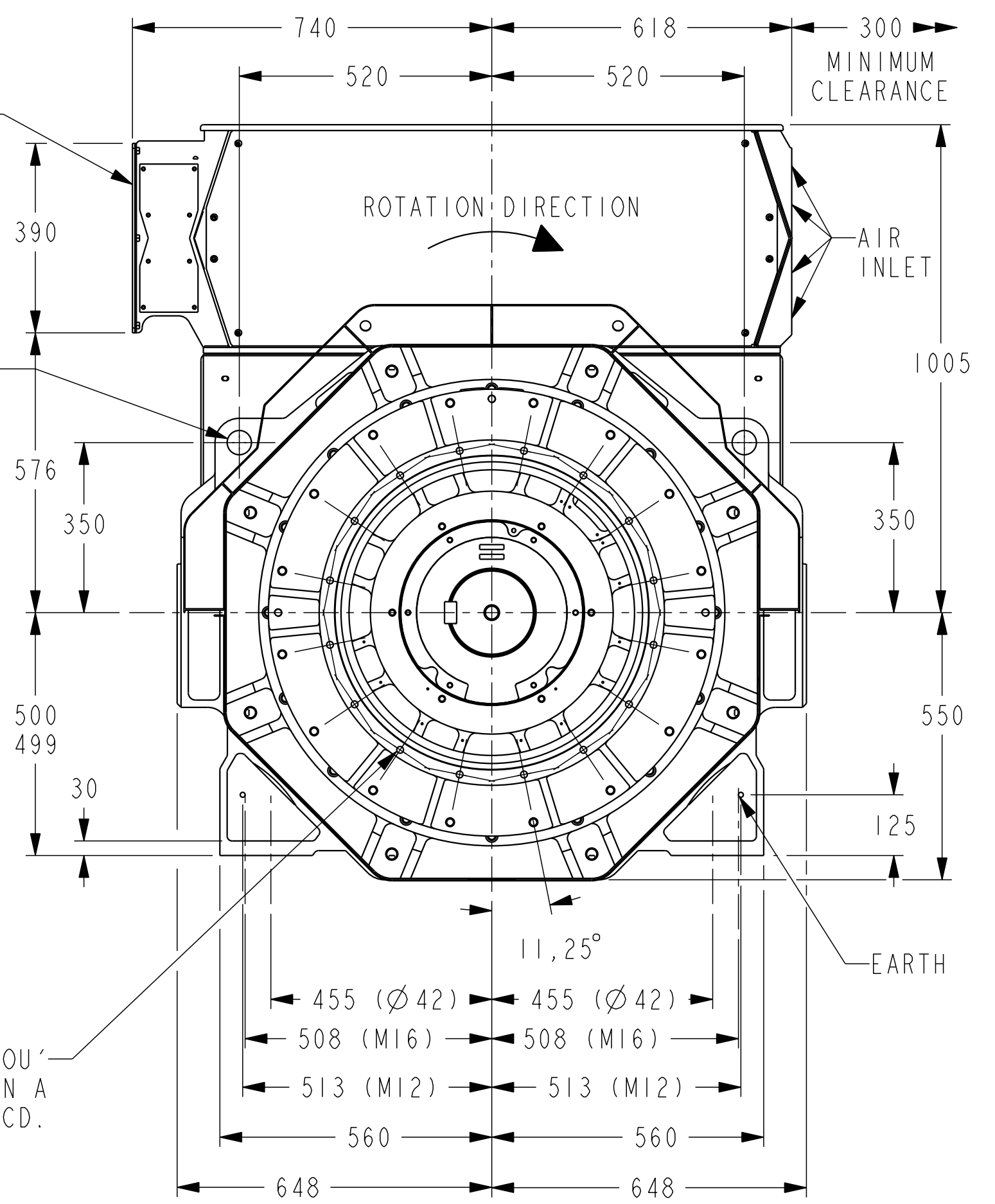


2 BEARING DETAIL SCALE 1:10

5MM THK ALUMINIUM GLAND PLATE

$\phi 50$  LIFTING HOLES 4 PLACES

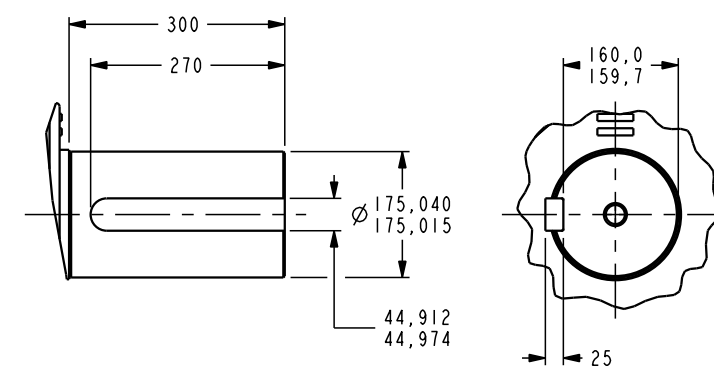
16 HOLES  $\phi 14$  THRU' EQUI-SPACED ON A  $\phi 679.5$  PCD.



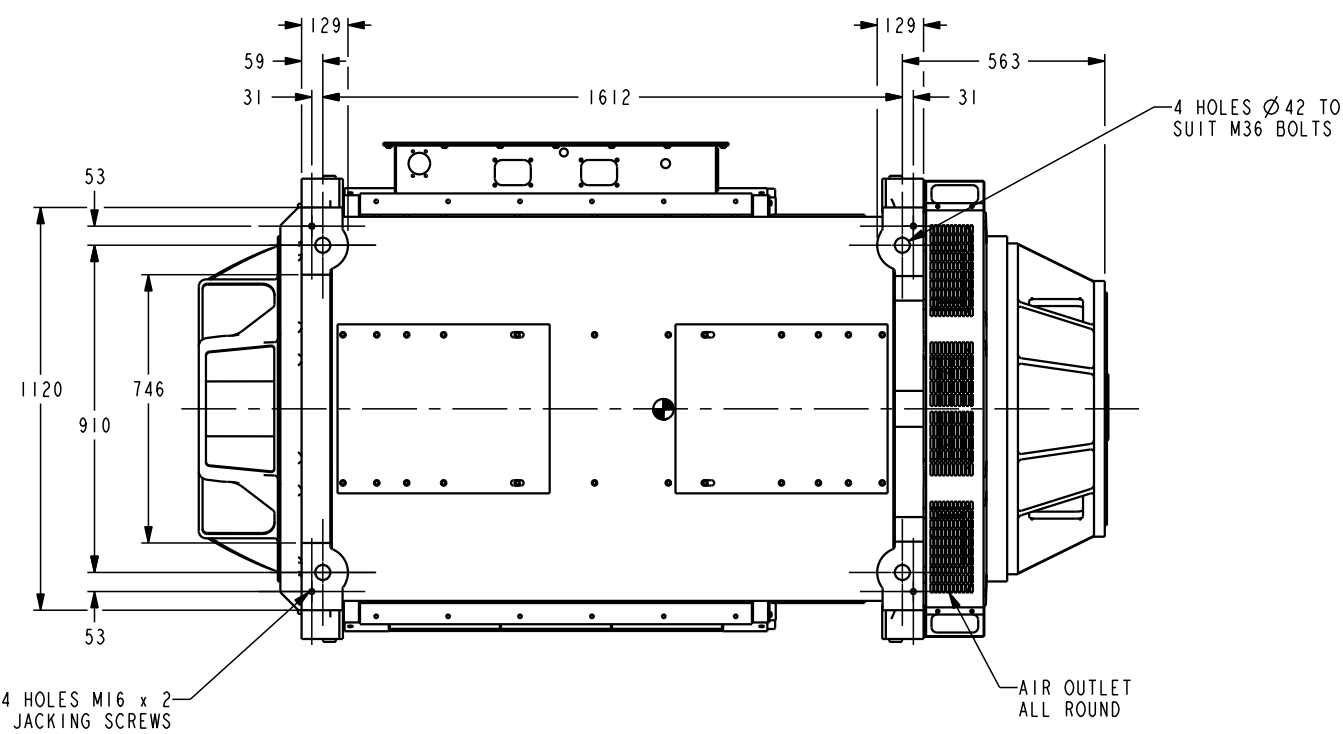
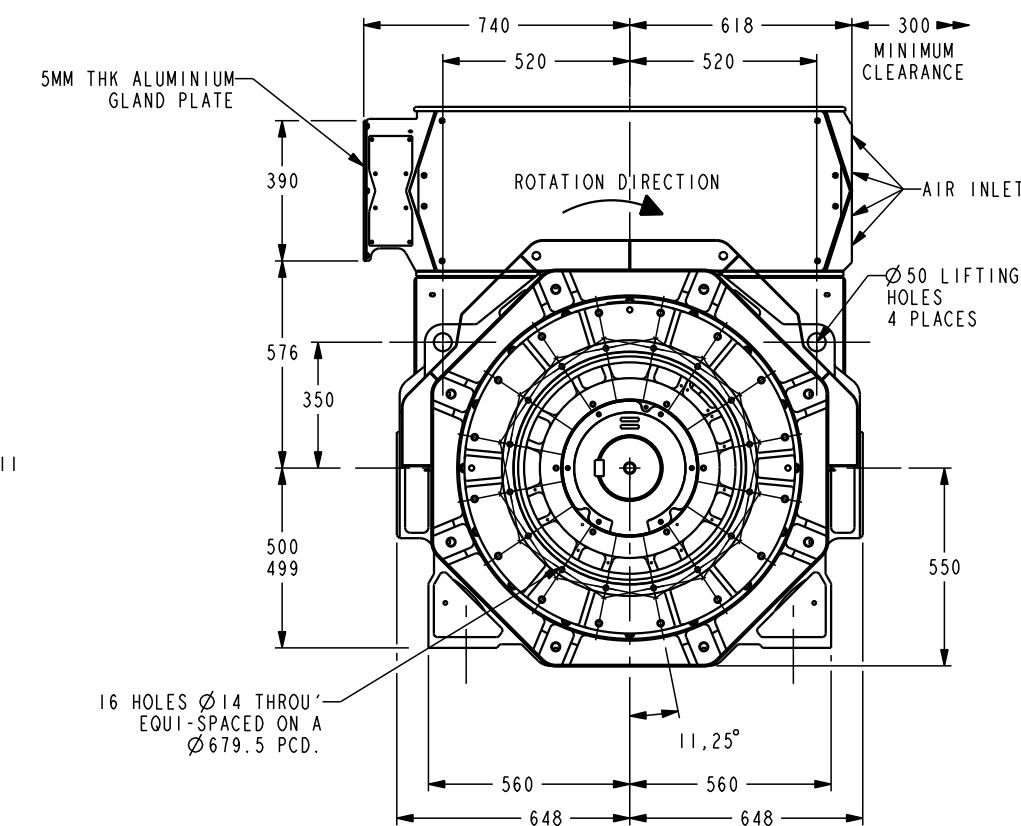
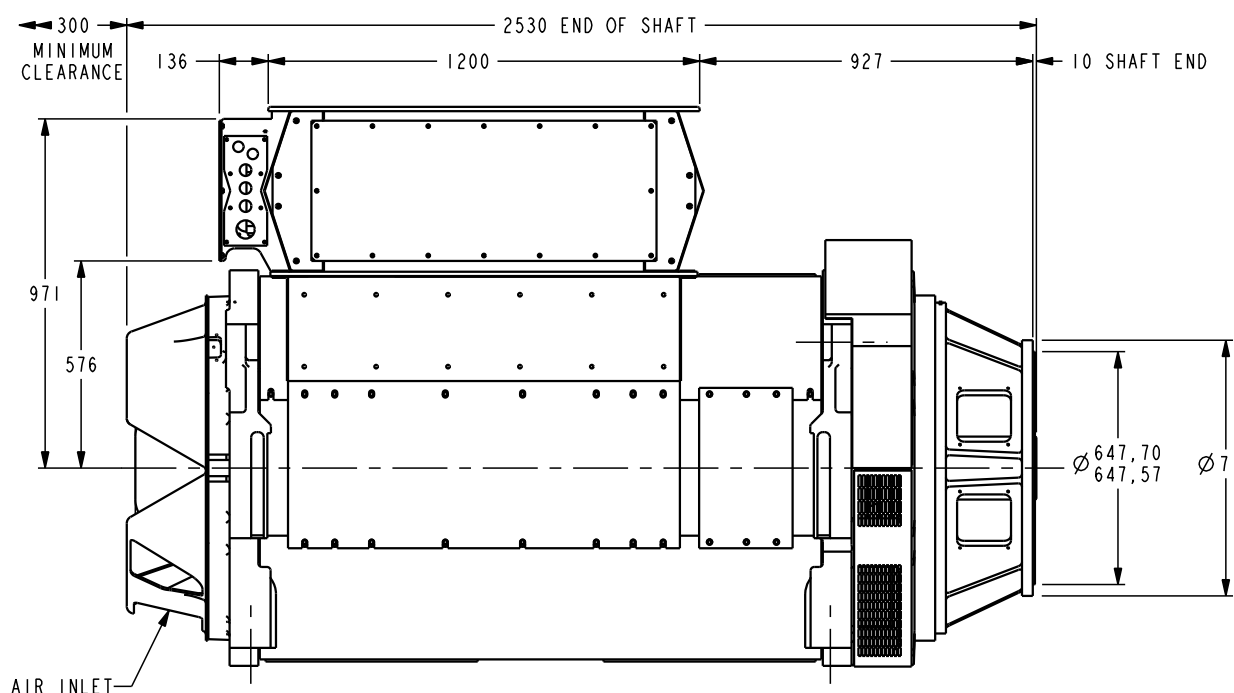
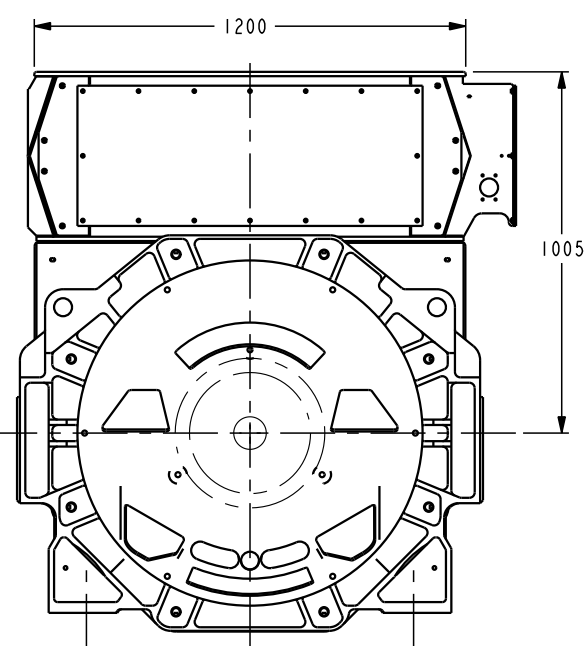
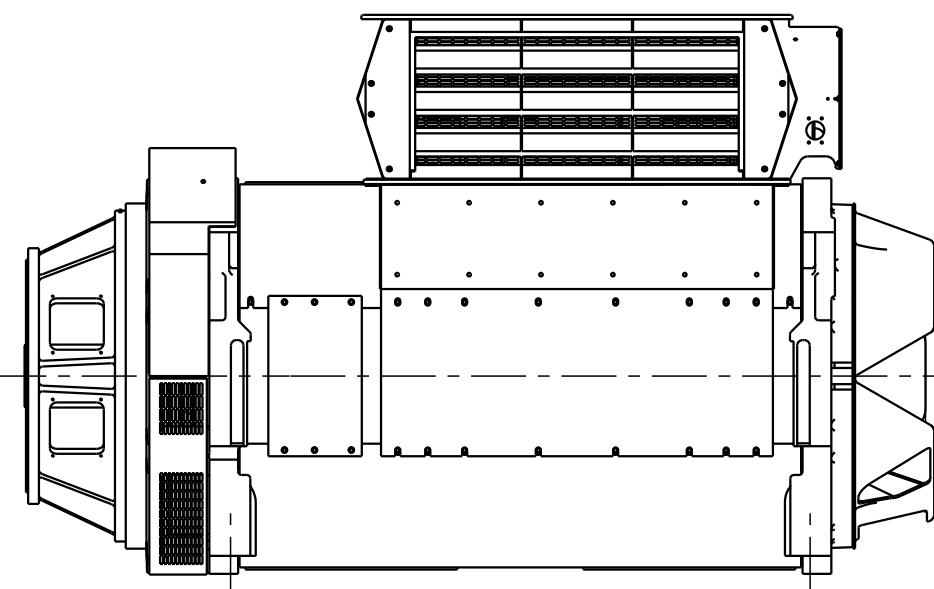
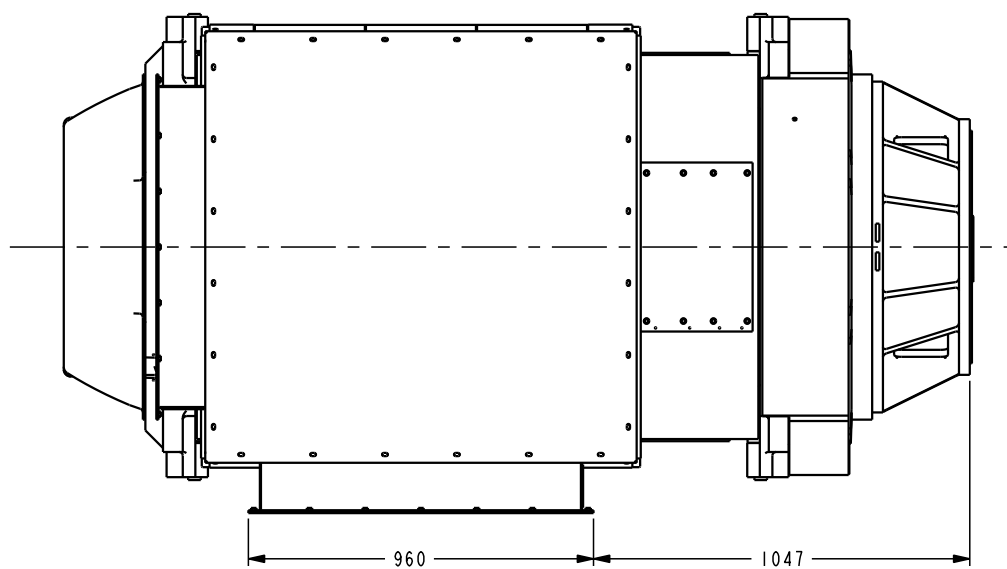
NOMINAL WEIGHT BASED ON CAD MODEL 8268KG NOT FOR INSPECTION.

UNLESS OTHERWISE SPECIFIED, ALL DIMENSIONS ARE IN MILLIMETERS		SIM TO		DWN AS			CUMMINS GENERATOR TECHNOLOGIES	
DO NOT SCALE PRINT		DO NOT SCALE PRINT		CKD AGS			GENERAL ARRANGEMENT	
DIM	X $\pm 1$	HOLE	0.00- 4.99 +0.15/-0.08	APVD AS		SITE CODE	P80 LV X - CORE / SAE0 ADAPTOR	
	X.X $\pm 0,1$		5.00- 9.99 +0.20/-0.10	DATE 08JUL13			STA	FOR INTERPRETATION OF DIMENSIONING AND TOLERANCING, SEE ASME Y14.5M-1994
	X.XX $\pm 0,01$		10.00-17.49 +0.25/-0.13	FIRST USED ON		DWG SIZE A2		A046Z081
			17.50-24.99 +0.30/-0.13				SHEET 1	REV A
ANG TOL: $\pm 0,5^\circ$		SCALE: 1:10						

REV NO	REV	DETAIL	OWN CDD	APPD	DATE	
ECO-136203	A	RELEASED PRODUCTION	AS	AGS	AS	08 JUL 13



2 BEARING SHAFT DETAIL  
SCALE 1:5



FRAME	P80
CORE LENGTH	X
VOLTAGE RATING	LV
BEARINGS	2
CENTRE HEIGHT	INTEGRAL 500
ADAPTOR	SAE0
COUPLING	NONE
ENCLOSURE	IP23
CABLE ENTRY FROM DE	LEFT

NOMINAL WEIGHT BASED ON CAD MODEL 8268KG NOT FOR INSPECTION

UNLESS OTHERWISE SPECIFIED, ALL DIMENSIONS ARE IN MILLIMETERS		REV NO	AS	DATE	08 JUL 13		CUMMINS GENERATOR TECHNOLOGIES GENERAL ARRANGEMENT P80 LV X - CORE / SAE0 ADAPTOR
X ± 1	0.00 - 4.99 +0.15/-0.08	DO NOT SCALE PRINT	AS	DATE	08 JUL 13		
X.X ± 0.1	5.00 - 9.99 +0.20/-0.10	PROPERTY OF CUMMINS GENERATOR TECHNOLOGIES	AS	DATE	08 JUL 13	SHEET NO AO	REV 2
X.XX ± 0.01	10.00 - 17.49 +0.25/-0.13					PART NO A046Z081	REV A
ANG TOL: ± 0.5°	SCALE: 1:10						