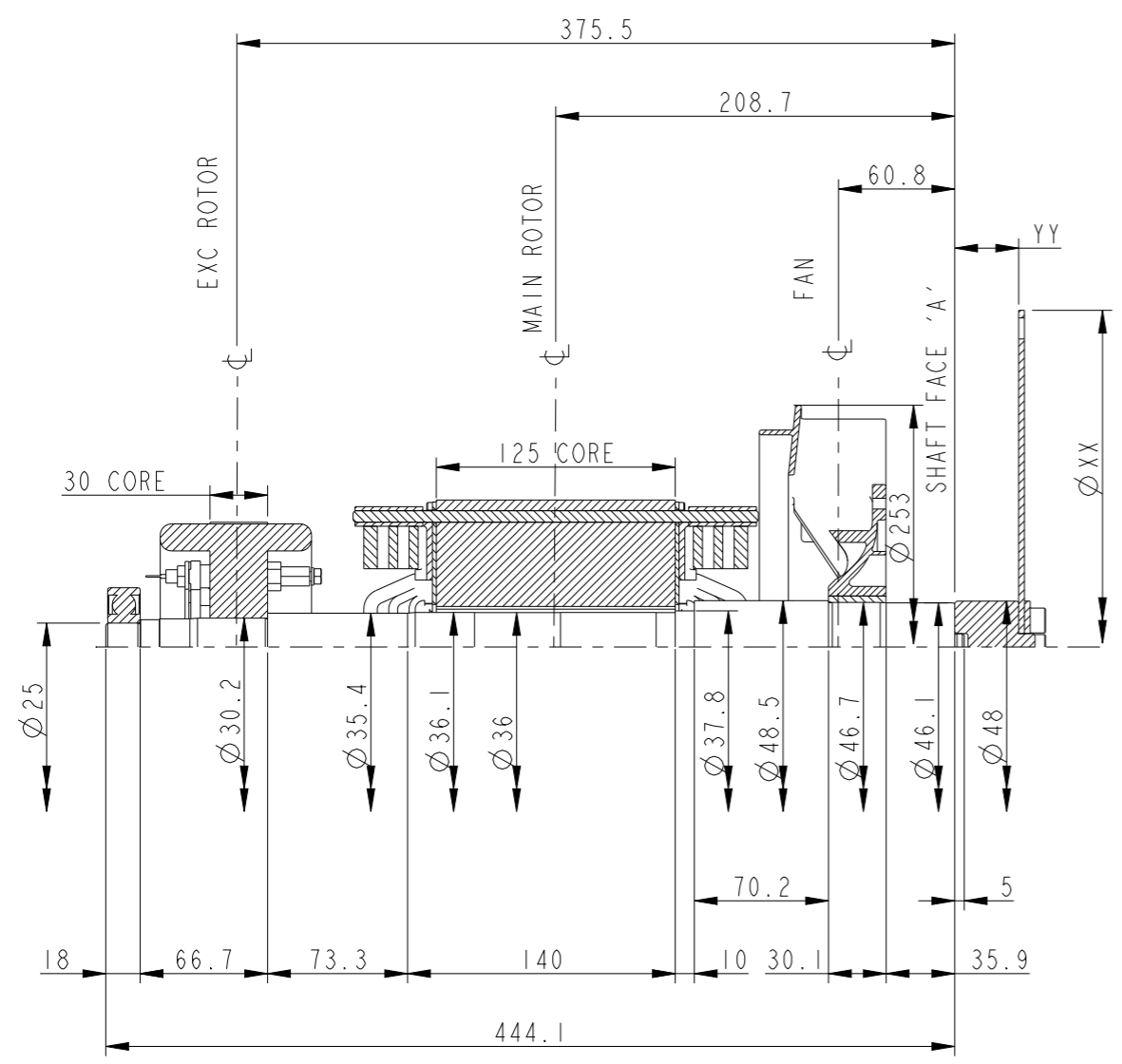


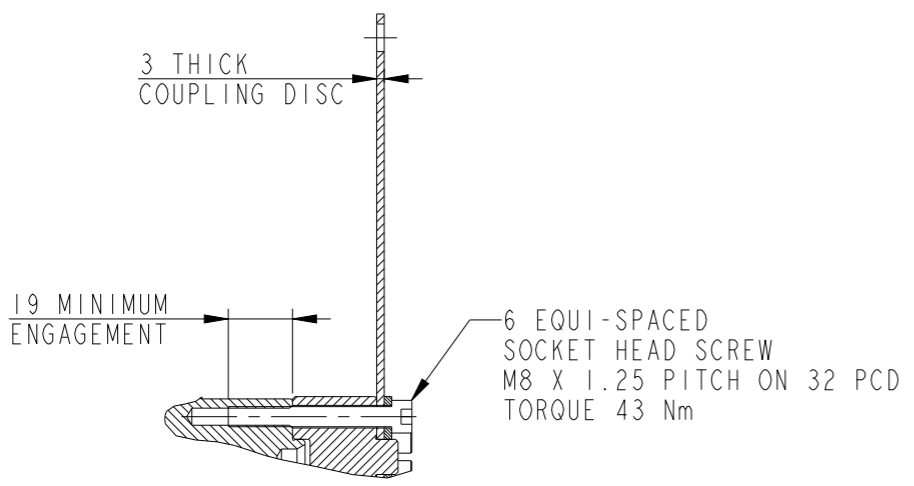
REL NO	REV	DETAIL	DWN	CKD	APVD	DATE
ECO-148572	D	PRODUCTION RELEASE	MMA	UKD	S. JOSHI	26AUG16



NOTES:

- SHAFT STIFFNESS:
THE STIFFNESS OF THE SHAFT BETWEEN THE MAIN ROTOR CORE ϕ AND THE SHAFT FACE 'A' IS 1.1568×10^6 kgcm/radian (STIFFENING EFFECT OF MAIN ROTOR CORE IS NOT INCLUDED IN THIS FIGURE)
- SHAFT MATERIAL:
STEEL - C40E TO BSEN 10083-2 2006
MAXIMUM RECOMMENDED VIBRATORY STRESS LEVEL IN THE SHAFT IS 34.47×10^6 N/m² FOR SPEED RANGE OF 0.95 TO 1.1 X NOMINAL SPEED AND 68.94×10^6 N/m² FOR RUN THROUGH CONDITIONS, FOR INDUSTRIAL MACHINES.
- CUMMINS GENERATOR TECHNOLOGIES LTD SHOULD BE NOTIFIED OF ANY ROTORS NOT COMPLYING WITH THESE RULES
- CUMMINS GENERATOR TECHNOLOGIES LTD BALANCE ROTORS TO COMPLY WITH INTERNATIONAL STD BS ISO 1940 PARTS 1 AND 2. BALANCE GRADE 2.5
- FOR UNBALANCED MAGNETIC PULL (U.M.P) REFER BACK TO THE FACTORY

ADAPTOR SAE No.	COUPLING SAE No.	COUPLING DIMENSIONS		MASS OF DISCS (kg) (3mm THICK)	MASS OF SHAFT SPACER (kg)	MASS OF PRESSURE PLATE (kg)	TOTAL MASS OF COUPLING ASSEMBLY (kg)	COUPLING STIFFNESS (kgcm/rad)	COUPLING DISC WR ² (kgm ²)
		Ø XX mm	YY mm						
4/5	6 1/2	215.8	9.88	0.840	0.111	0.030	0.981	7.95×10^6	0.0049
4/5	7 1/2	241.2	9.88	1.052	0.111	0.030	1.193	7.91×10^6	0.0076
3/4	10	314.2	33.47	1.795	0.374	0.030	2.199	7.84×10^6	0.0221
3	11 1/2	352.3	19.27	2.265	0.215	0.030	2.510	7.82×10^6	0.0351



SECTION B-B
SCALE 1:2

CONVERSION FACTORS		
TO CONVERT	TO	DIVIDE BY
kg	lb	0.453592
kg m ²	lb ft ²	0.04214
kgcm/rad	lbin/rad	1.1521246
N/m ²	lbf/in ²	6894.76

COMPONENT	Wt Kg	WR ² Kg m ²
FAN	0.4929	0.0034
SHAFT	4.02	0.0008
MAIN ROTOR	16.10	0.0471
EXCITER ROTOR	3.6	0.0110
TOTAL	24.12	0.0623

UNLESS OTHERWISE SPECIFIED, ALL DIMENSIONS ARE IN MILLIMETERS		SIM TO -	DWN K. PAWAR		CUMMINS GENERATOR TECHNOLOGIES										
DO NOT SCALE PRINT		CKD U. DAGWALE	APVD S. JOSHI		DRAWING, TORSIONAL										
<table border="1"> <tr> <th>DIM</th> <th>HOLE</th> </tr> <tr> <td>X ± 1</td> <td>0.00-4.99 +0.15/-0.08</td> </tr> <tr> <td>X.X ± 0.1</td> <td>5.00-9.99 +0.20/-0.10</td> </tr> <tr> <td>X.XX ± 0.01</td> <td>10.00-17.49 +0.25/-0.13</td> </tr> <tr> <td></td> <td>17.50-24.99 +0.30/-0.13</td> </tr> </table>	DIM	HOLE	X ± 1	0.00-4.99 +0.15/-0.08	X.X ± 0.1	5.00-9.99 +0.20/-0.10	X.XX ± 0.01	10.00-17.49 +0.25/-0.13		17.50-24.99 +0.30/-0.13		DATE 15 JUN 15	SITE CODE	SOL1-J1 4P	
DIM	HOLE														
X ± 1	0.00-4.99 +0.15/-0.08														
X.X ± 0.1	5.00-9.99 +0.20/-0.10														
X.XX ± 0.01	10.00-17.49 +0.25/-0.13														
	17.50-24.99 +0.30/-0.13														
ANG TOL: ± 0.5°	SCALE: 1:5	- CONFIDENTIAL - PROPERTY OF CUMMINS GENERATOR TECHNOLOGIES	FIRST USED ON	PUN	DWG SIZE A2 A052Z764	SHEET 1 REV D									