

Document Generated: 09DEC2020 12:41 GMT

Cummins Data Classification: **Cummins Confidential**

This document (and the information shown thereon) is **Confidential and Proprietary** and shall not be disclosed to others in hard copy or electronic form, reproduced by any means, or used for any purpose without written consent of Cummins Inc.

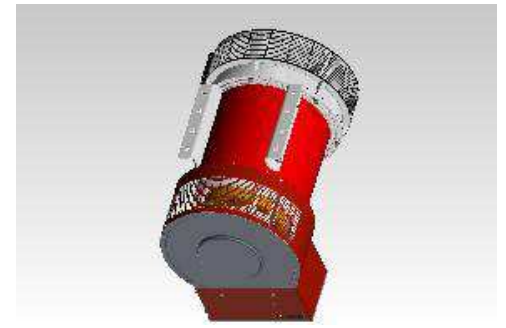
Part Number: **A065Y192** Part Revision: **C**
 Part Name: **ARRANGEMENT, GENERATOR GENERAL**
 Drawing Category: **Outline (Tabulation)** State: **Released** Sheet 1 of 2

| | | |
|--------------------------------------------------------------------------------------------------------------------------------------------|--------------------------------------------------------------------------------------------------------------|--|
| Cummins Generator Technologies <small>DIMENSIONS ARE IN: MILLIMETERS () ARE IN: -</small> <small>SIZE: A0 SCALE: 1:2</small> | | |
| <small>DRAWING SPECIFICATION DESCRIPTION</small> ARRANGEMENT, GENERATOR GENERAL | <small>DIMENSIONING AND TOLERANCING PER:</small> ASME Y14.5-2009 <small>THIRD ANGLE PROJECTION</small> | |



Part Number: A065Y192

| | | | |
|-------------------------|------------------------|-----------------------|-----------------|
| Change Notice | CN00027121 | Alternates | |
| Manufacturer Part (MEP) | No | Usage | Production Only |
| Release Phase Code | Production (P) | Drawing Specification | DS47055871 |
| External Regulations | No External Regulation | | |



3D image provided when available for visual reference only.

Associated Specifications

| Number | Name | Type | Category | Sub-Category |
|------------|------------------------|---------------------------|------------------------|---------------------------------------------------------|
| ESA030B356 | SPECIFICATION,MATERIAL | Engineering Specification | Material Specification | Prohibited and Restricted Prohibited and Restricted |

Drawing Revision Information

| Description of Change(s) |
|--------------------------|
| MINOR AMENDMENTS |

Drawing Authorization

| | | | |
|----------|----------------------|------|-----------|
| Drafter | Pratik Vijay Patil | Date | 09DEC2020 |
| Checker | Rahul Hanabar | Date | 09DEC2020 |
| Approver | NO APPROVAL REQUIRED | Date | |

Document Generated: 09DEC2020 12:41 GMT