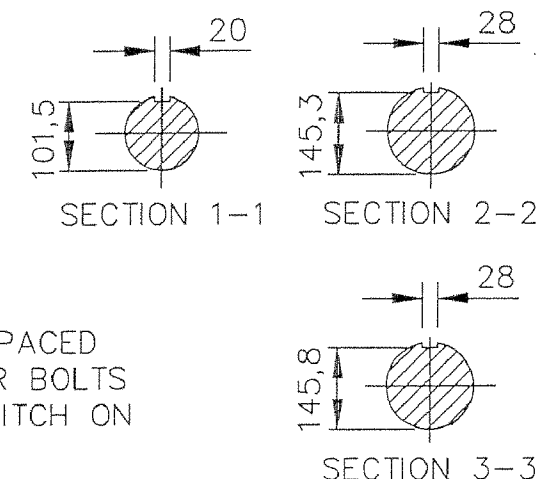
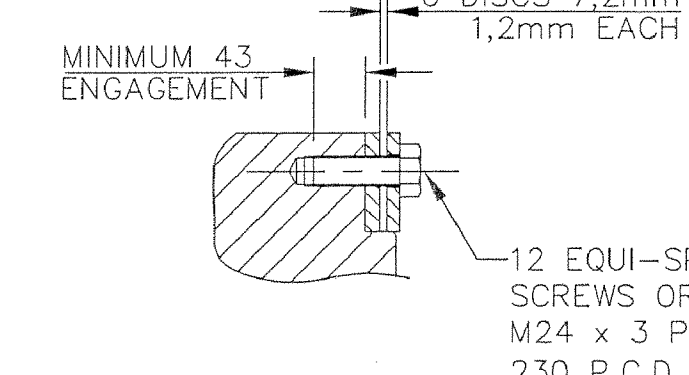


NOTES!
 SHAFT STIFFNESS: -
 THE STIFFNESS OF THE SHAFT BETWEEN THE MAIN ROTOR CORE ϕ AND THE COUPLING HUB FACE IS $104,92 \times 10^6$ kgcm/radian (STIFFENING EFFECT OF MAIN ROTOR CORE IS NOT INCLUDED IN THIS FIGURE)
 SHAFT MATERIAL: -
 STEEL - 080M40 TO BS970 PART 1 (APPROVED BY MARINE AUTHORITIES WHEN APPROPRIATE).
 MAXIMUM RECOMMENDED VIBRATORY STRESS LEVEL IN THE SHAFT IS $34,47 \times 10^6$ N/m² FOR A SPEED RANGE OF 0,95 TO 1,1 x NOMINAL SPEED, AND $68,94 \times 10^6$ N/m² FOR RUN THROUGH CONDITIONS, FOR INDUSTRIAL MACHINES. FOR MARINE AUTHORITIES, THEIR APPROPRIATE RULES WILL APPLY.
 NEWAGE INTERNATIONAL LTD. SHOULD BE NOTIFIED OF ANY ROTORS NOT COMPLYING WITH THESE RULES.
 NEWAGE INTERNATIONAL LTD. BALANCE ROTORS TO COMPLY WITH INTERNATIONAL STD. I.S.O. 1940 GRADE 2,5 AND B.S. 6861 PART 1 GRADE 2,5 .
 FOR UNBALANCED MAGNETIC PULL (U.M.P.) FORCES REFER TO GENERATOR MANUAL.

SECTION THRO' SHAFT END AND COUPLING SCREWS OR BOLTS



COMPONENT	Wt kg	WR ² kgm ²	COUPLING SAE No	COUPLING DIMEN's XX YY	COUPLING ASSEMBLY WEIGHT kg	COUPLING STIFFNESS 6-PLATES kgcm/rad	COUPLING DISC WR ² kg m ²
EX. ROTOR	51,600	0,8590					
MAIN ROTOR	506,244	15,7600					
FAN	16,100	0,6762					
SHAFT	191,901	0,5514	14	467 25	25	1395,6x10 ⁶	0,265
HUB	37,098	0,4823	16	518 16	24,3	1296,5x10 ⁶	0,403
P.M. EX. ROTOR	6,970	0,0190	18	572 16	24,40	1211,3x10 ⁶	0,535
P.M. STUB SHAFT	0,929	0,0003	21	673 00	24,25	1140,7x10 ⁶	1,053
			17 3/4	451 18,2	24,75	1534,8x10 ⁶	0,230
			24	733 00	28,00	1064,8x10 ⁶	1,602
			24 Spec	733 28,5	38,30	1064,8x10 ⁶	1,602
TOTAL	813,842	18,3482					

CONVERSION FACTORS		
TO CONVERT	TO	DIVIDE BY
kg	lb	0,453592
kg m ²	lb ft ²	0,04214
kgcm/rad	lbin/rad	1,1521246
N/m ²	lbf/in ²	6894,76

CERTIFIED PRINT (ONLY IF SIGNED) BY DATE	HC634 1G MOMENTS OF INERTIA AND SHAFT DETAILS	SCALE	FIRST W.O.
		NTS	
		SHEET 1:10	UNIT OF MEASUREMENT MILLIMETRES (mm)
4/3000/2 A S.M.C. 29.06.00 ORIGINAL ISSUE MOD'N ISSUE DRAWN DATE ALTERATION	DRAWN S.M.C. 29.06.00 CH'D S.M.C. 17.7.00 APP'D S.M.C. 17/7/00	NEWAGE INTERNATIONAL LTD STAMFORD ENGLAND	DL15-12570 ISSUE A