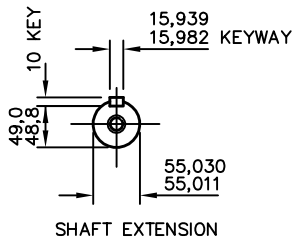


REL NO	REV	DETAILS	DWN	CKD	APVD	DATE
ECO-143331	G	ADDED UCG IN TITLE	SS	SPA	SPA	03MAY14

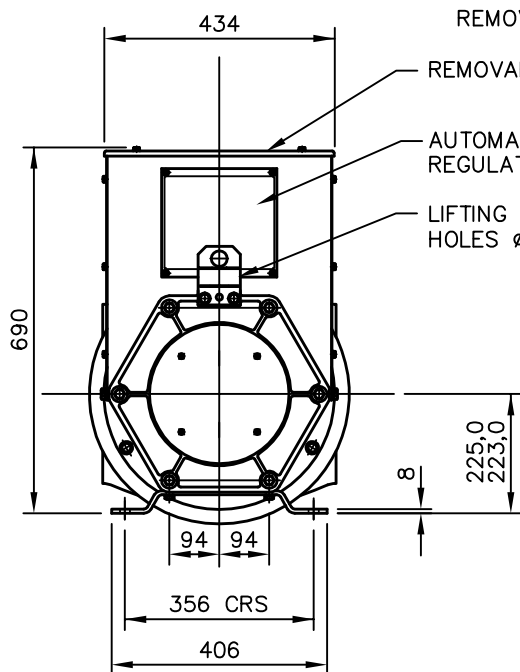
DIMENSIONS			
FRAME	A	B	C
224C/D	792	729	170
224E/F	882	819	260
224G	927	864	305

CORE	C of G	NETT WT kg
C	368	260
D	378	273
E	393	310
F	403	330
G	418	378

NOTE: -  
WEIGHTS DO NOT INCLUDE SAE ADAPTOR FLANGES



SHAFT EXTENSION

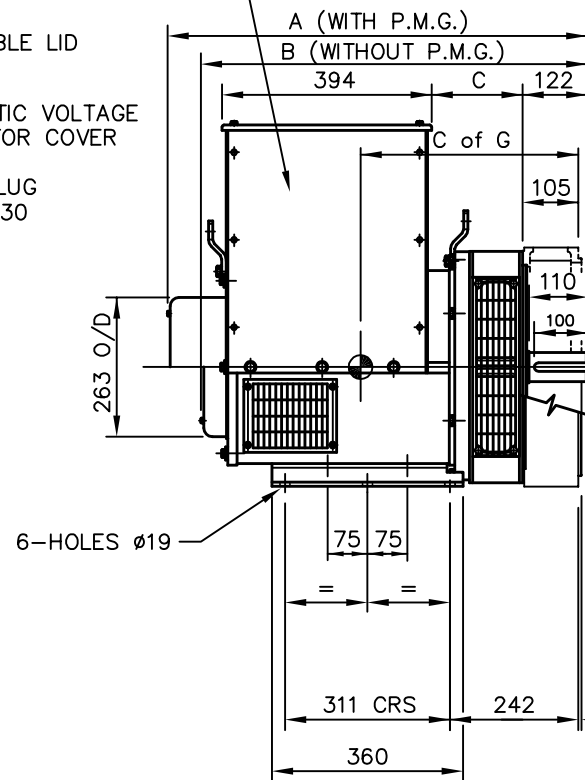


REMOVABLE SIDE COVERS

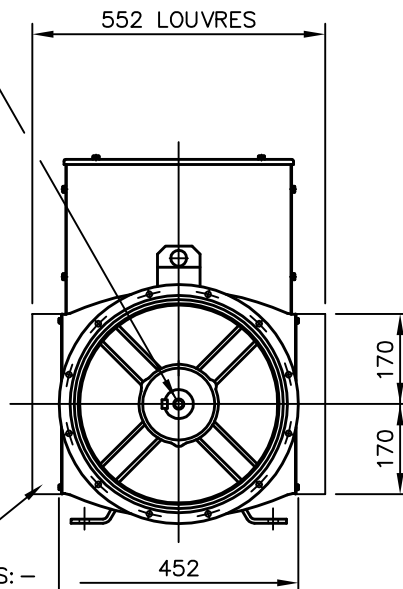
REMOVABLE LID

AUTOMATIC VOLTAGE  
REGULATOR COVER

LIFTING LUG  
HOLES Ø30



1-HOLE TAPPED  
M16 x 2 x 32 DEEP

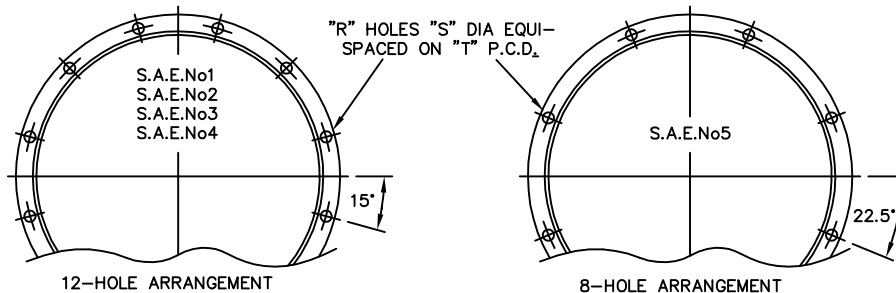


60° DRIP PROOF LOUVRES: -  
FITTED AS STANDARD ON  
MARINE MACHINES.  
FITTED ON OTHER MACHINES  
IF SPECIFIED ON ORDER

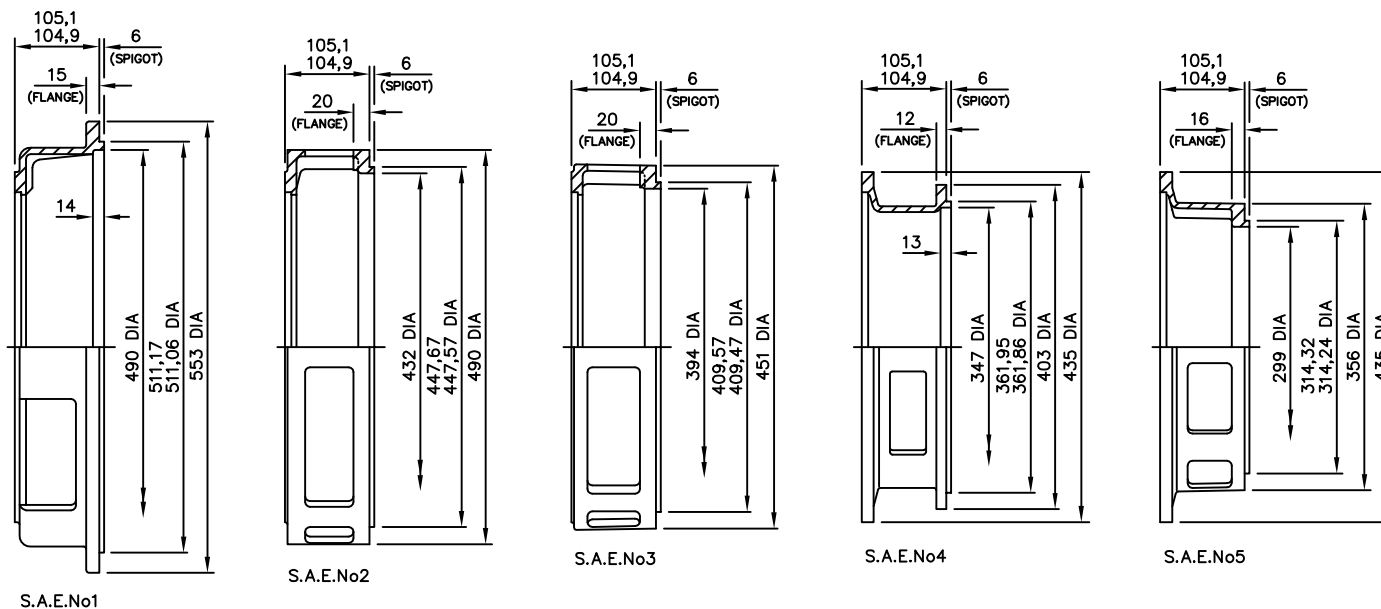
FOR FLANGE ADAPTOR DETAILS SEE SHEET 2

UNLESS SPECIFIED ALL DIMENSIONS ARE IN MILLIMETERS			CUMMINS GENERATOR TECHNOLOGIES	
DO NOT SCALE PRINT	DRAWN JES		DRAWING, GENERAL ASSEMBLY	
	CHECKED PJW		UC224/UCG224 C-G 2-BRG STD ADAPTORS	
CONFIDENTIAL	DATE 28JAN91	SITE CODE	UNIVERSAL FOOT	
PROPERTY OF CUMMINS GENERATOR TECHNOLOGIES	SCALE 1:10	FIRST USED ON ---	DWG SIZE A4	23-2002
			SHEET 1	REV G

REL NO	REV	DETAILS	DWN	CKD	APVD	DATE
ECO-143331	G	ADDED UCG IN TITLE	SS	SPA	SPA	03MAY14



FLANGE ADAPTOR			
S.A.E No	"R"	"S"	"T"
1	12	12,7	530,2
2	12	11	466,7
3	12	11	428,6
4	12	11	381,0
5	8	11	333,3



SEE SHEET 1 FOR MACHINE DETAILS

UNLESS SPECIFIED ALL DIMENSIONS ARE IN MILLIMETERS				CUMMINS GENERATOR TECHNOLOGIES	
DO NOT SCALE PRINT	DRAWN	JES		DRAWING, GENERAL ASSEMBLY	
	CHECKED	PJW		UC224/UCG224 C-G 2-BRG	
CONFIDENTIAL	APPROVED	DPC	SITE CODE	FLANGE ADAPTORS	
PROPERTY OF CUMMINS	DATE	28JAN91	STA	DWG SIZE	23-2002
GENERATOR TECHNOLOGIES	SCALE	FIRST USED ON		A4	
	1:5	---		2	REV
					G