

D52-4661 ISSUE D

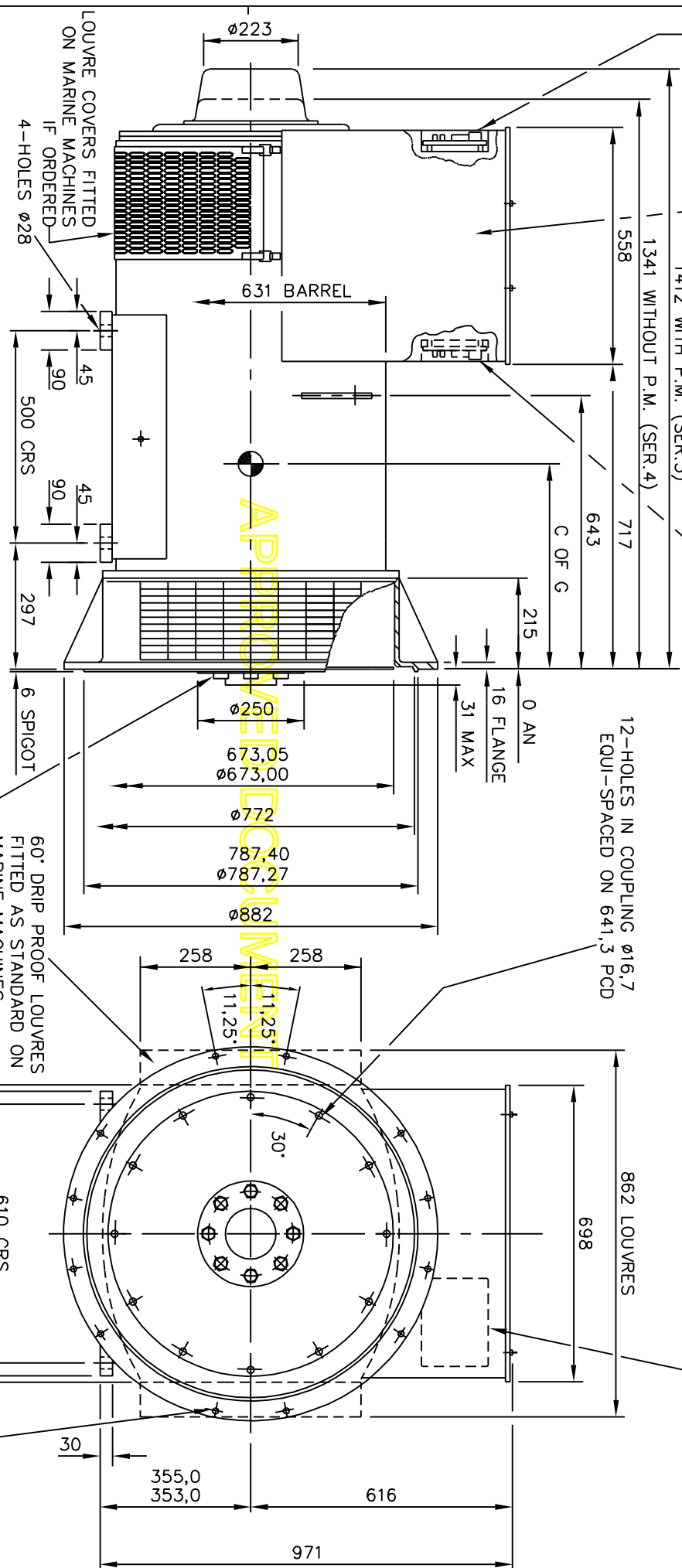
IF IN DOUBT-ASK
DO NOT SCALE

CORE C OF G
F 620

FIRST W.O.

A.V.R. STANDARD POSITION
REMOVABLE SIDE COVERS
1412 WITH P.M. (SER.3)
1341 WITHOUT P.M. (SER.4)
A.V.R. ALTERNATIVE POSITION

INDICATES POSITION OF A.V.R.



NOTE:-
CUSTOMER MAY CUT CABLE ENTRY HOLES AS REQUIRED IN ANY OF THE FOUR TERMINAL BOX SIDES SUBJECT TO POSITION OF AVR, TERMINALS, ETC.

#-8664-02	D	USD	15.09.06	CHANGE OF COMPANY NAME																
#-7503-08	C	U.S.D	23.11.05	FOOT DETAIL UPDATED																
4/7324/08	B	GTK	24Jun2004	C/H TOL +0 -2 WAS +0 -0.5																
4/2776/9	A	S.M.C.	07.08.00	ORIGINAL ISSUE																
MOD'N		ISSUE	DRAWN	DATE	ALTERATION															
CERTIFIED PRINT (ONLY IF SIGNED)					DATE					BY					SCALE					
DRAWN					S.M.C. 07.08.00					HCS-1F ALTERNATOR ADAPTOR - SAE00 COUPLING - SAE21 STANDARD T/BOX					1:10					
CH'D					DATE					CUMMINS GENERATOR TECHNOLOGIES LTD. STAMFORD ENGLAND					UNIT OF MEASUREMENT MILLIMETRES (mm)					
APP'D					DATE					D52-4661					ISSUE					