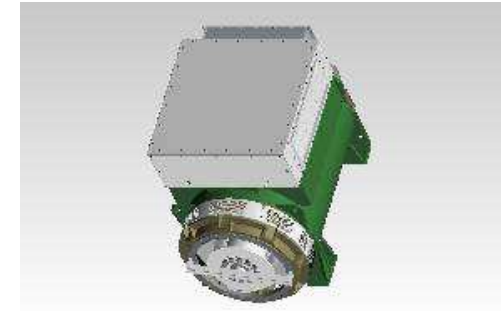


Document Generated: 29JAN2024 08:44 GMT



**Part Number: A073W511**

Change Notice	CN00123684	Alternates	
Manufacturer Part (MEP)	No	Usage	Production Only
Release Phase Code	Production (P)	Drawing Specification	Number: DS47128343
External Regulations	No External Regulation		Revision: B



3D image provided when available for visual reference only.

**Drawing Revision Information**

**Description of Change(s)**

Note: Change information is provided for reference only and does not supersede the drawing's primary content.

PRODUCTION RELEASE

**Drawing Authorization**

Drafter	Jordan Randall	Date	24JAN2024
Checker	Sneha Pundlikrao Bondlewad	Date	29JAN2024
Approver	Matthew Hammond	Date	29JAN2024

Document Generated: 29JAN2024 08:44 GMT