

NOTES:-

SHAFT STIFFNESS:-

THE STIFFNESS OF THE SHAFT BETWEEN THE MAIN ROTOR CORE ϕ AND THE SHAFT FACE 'A' IS 3.3412×10^6 kgcm/radian (STIFFENING EFFECT OF MAIN ROTOR CORE IS NOT INCLUDED IN THIS FIGURE)

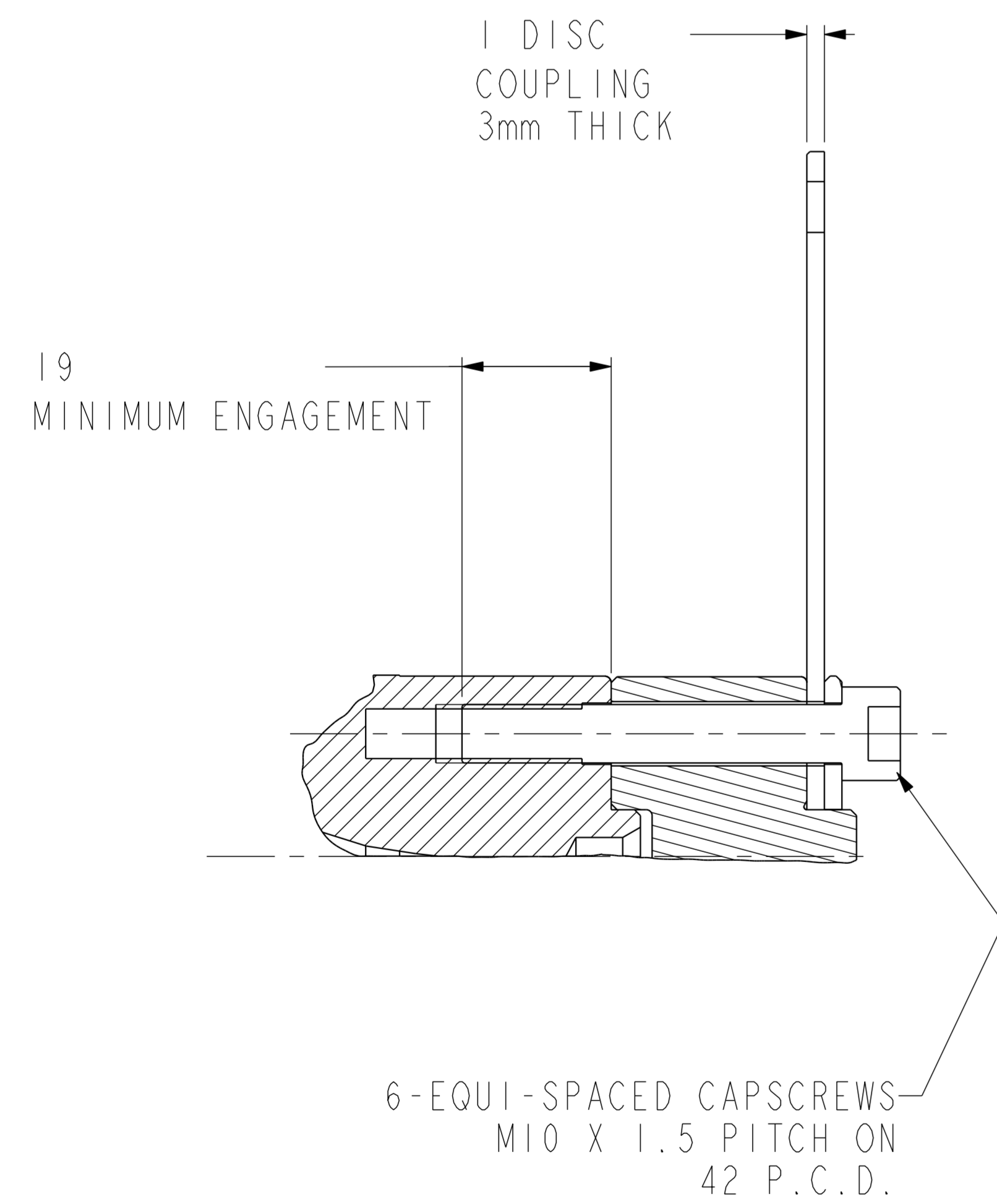
SHAFT MATERIAL:-

STEEL - C40E TO BSEN 10083-2 2006 (APPROVED BY MARINE AUTHORITIES WHEN APPROPRIATE) MAXIMUM RECOMMENDED VIBRATORY STRESS LEVEL IN THE SHAFT IS 34.47×10^6 N/m² FOR SPEED RANGE OF 0.95 TO 1.1 X NOMINAL SPEED AND 68.94×10^6 N/m² FOR RUN THROUGH CONDITIONS, FOR INDUSTRIAL MACHINES.

FOR MARINE AUTHORITIES, THEIR APPROPRIATE RULES WILL APPLY.

CUMMINS GENERATOR TECHNOLOGIES LTD SHOULD BE NOTIFIED OF ANY ROTORS NOT COMPLYING WITH THESE RULES. CUMMINS GENERATOR TECHNOLOGIES LTD BALANCE ROTORS TO COMPLY WITH INTERNATIONAL STD BS ISO 1940 PARTS 1 AND 2 . BALANCE GRADE 2.5

FOR UNBALANCED MAGNETIC PULL (U.M.P.) REFER BACK TO THE FACTORY.



COMPONENT	MASS (kg)	WR ² (kgm ²)
SHAFT	6.669	0.0025
FAN	0.976	0.0067
MAIN ROTOR	14.699	0.0504
EXCITER ROTOR	2.710	0.0108
TOTAL WITHOUT EBG ROTOR	25.054	0.0697
EBG ROTOR	1.701	0.0017
TOTAL WITH EBG ROTOR	26.755	0.0721

ADAPTOR SAE No.	COUPLING SAE No.	COUPLING DIMENSIONS		MASS OF DISC (kg) (1 X 3mm THICK)	MASS OF SHAFT SPACER (kg)	MASS OF PRESSURE PLATE (kg)	TOTAL MASS OF COUPLING ASSEMBLY (kg)	COUPLING STIFFNESS (kgcm/rad)	COUPLING DISC WR ² (kgm ²)
		ØXX mm	YY mm						
4/5	6 1/2	215.8	10	0.850	0.233	0.069	1.152	13.955 X 10 ⁶	0.0049
4/5	7 1/2	241.2	10	1.069	0.233	0.069	1.371	13.835 X 10 ⁶	0.0079
4/5	8	263.5	41.8	1.275	0.974	0.069	2.318	13.747 X 10 ⁶	0.0111
3/4	10	314.2	33.6	1.819	0.783	0.069	2.671	13.616 X 10 ⁶	0.0225
3	11 1/2	352.3	19.4	2.287	0.452	0.069	2.808	13.555 X 10 ⁶	0.0355

CONVERSION FACTORS		
TO CONVERT	TO	DIVIDE BY
kg	lb	0.453592
kgm ²	lbft ²	0.04214
kgcm/rad	lbin/rad	1.1521246
N/m ²	lbf/in ²	6894.76

MOD.	ISSUE	DRAWN	DATE	MODIFICATION
4-9111-12	A	BSR	11.07.07	ORIGINAL ISSUE

CONFIDENTIAL PROPERTY OF CUMMINS GENERATOR TECHNOLOGIES LTD.						PO2F ONE BEARING MOMENTS OF INERTIA AND SHAFT DETAILS			
MATERIAL PROPS	-	DIMENSIONS IN MILLIMETRES (MM) AT 20°C	PROJECTION			SCALE	MATERIAL		
FINISH SPEC	-					3:10			
GEOMETRY SPEC	-	SURFACE FINISH VALUES IN MICRO METRES	WEIGHT	=	DRG. SIZE	CASTING No.			
ASSEMBLY SPEC	-		DRAWN	BSR	11.07.07	A	PART No. L15-13219		
PERFORMANCE SPEC	-	UNLIMITED DIMS ± --	CHECKED	RPM	11.07.07	REL. PHASE	ISSUE A		
QUALITY SPEC	-		APPROVED	DPC	12.07.07	P	SHEET 1 OF 1 SHEETS		