

Document Generated: 27AUG2021 01:45 GMT

Cummins Data Classification:
Cummins Confidential

This document (and the information shown thereon) is **Confidential and Proprietary** and shall not be disclosed to others in hard copy or electronic form, reproduced by any means, or used for any purpose without written consent of Cummins Inc.

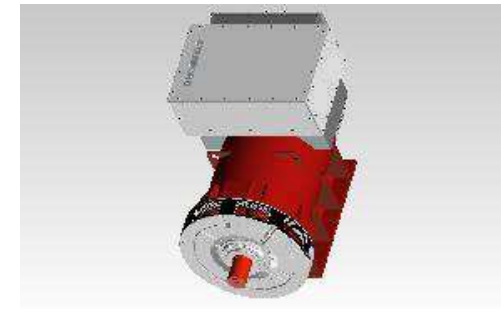
Part Number: **A063N682** Part Revision: **D**
 Part Name: **ARRANGEMENT, GENERATOR GENERAL**
 Drawing Category: **Outline State: Released** Sheet 1 of 2

Cummins Generator Technologies		
DIMENSIONS ARE IN: MILLIMETERS () ARE IN: -		
SIZE: A0	SCALE: 1:2	
DIMENSIONING AND TOLERANCING PER: ASME Y14.5-2009		



Part Number: A063N682

Change Notice	CN00037905	Alternates	
Manufacturer Part (MEP)	No	Usage	Production Only
Release Phase Code	Production (P)	Drawing Specification	DS47017405
External Regulations	No External Regulation		



3D image provided when available for visual reference only.

Associated Specifications

Number	Name	Type	Category	Sub-Category
ESA030B356	SPECIFICATION,MATERIAL	Engineering Specification	Material Specification	Prohibited and Restricted Prohibited and Restricted

Drawing Revision Information

Description of Change(s)
IN ZONE K13~M13, ADD "CORECOOLING" LOGO

Drawing Authorization

Drafter	Qun Zhou	Date	26AUG2021
Checker	Jessica Liu	Date	27AUG2021
Approver	NO APPROVAL REQUIRED	Date	

Document Generated: 27AUG2021 01:45 GMT