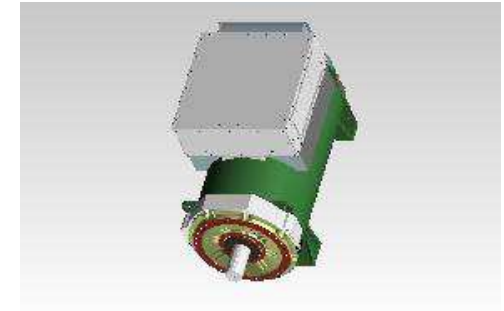




Part Number: A068A490

Change Notice	CN00123684	Alternates	
Manufacturer Part (MEP)	No	Usage	Production Only
Release Phase Code	Production (P)	Drawing Specification	Number: DS47093926
External Regulations	No External Regulation		Revision: D



3D image provided when available for visual reference only.

Drawing Revision Information

Description of Change(s)

Note: Change information is provided for reference only and does not supersede the drawing's primary content.

PRODUCTION RELEASE

Drawing Authorization

Drafter	Jordan Randall	Date	24JAN2024
Checker	Sneha Pundlikrao Bondlewad	Date	29JAN2024
Approver	Matthew Hammond	Date	29JAN2024

Document Generated: 29JAN2024 08:44 GMT