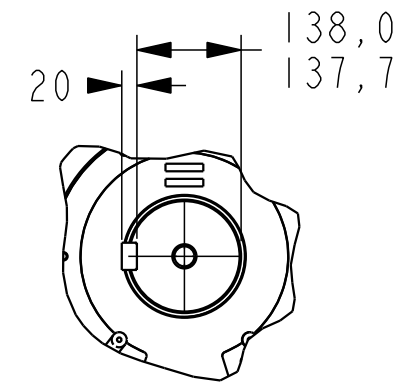
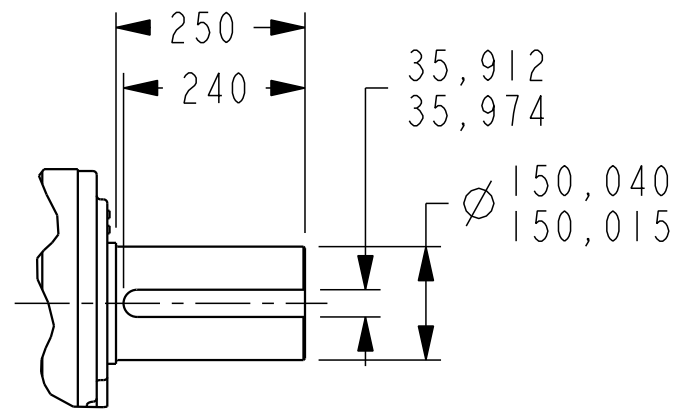
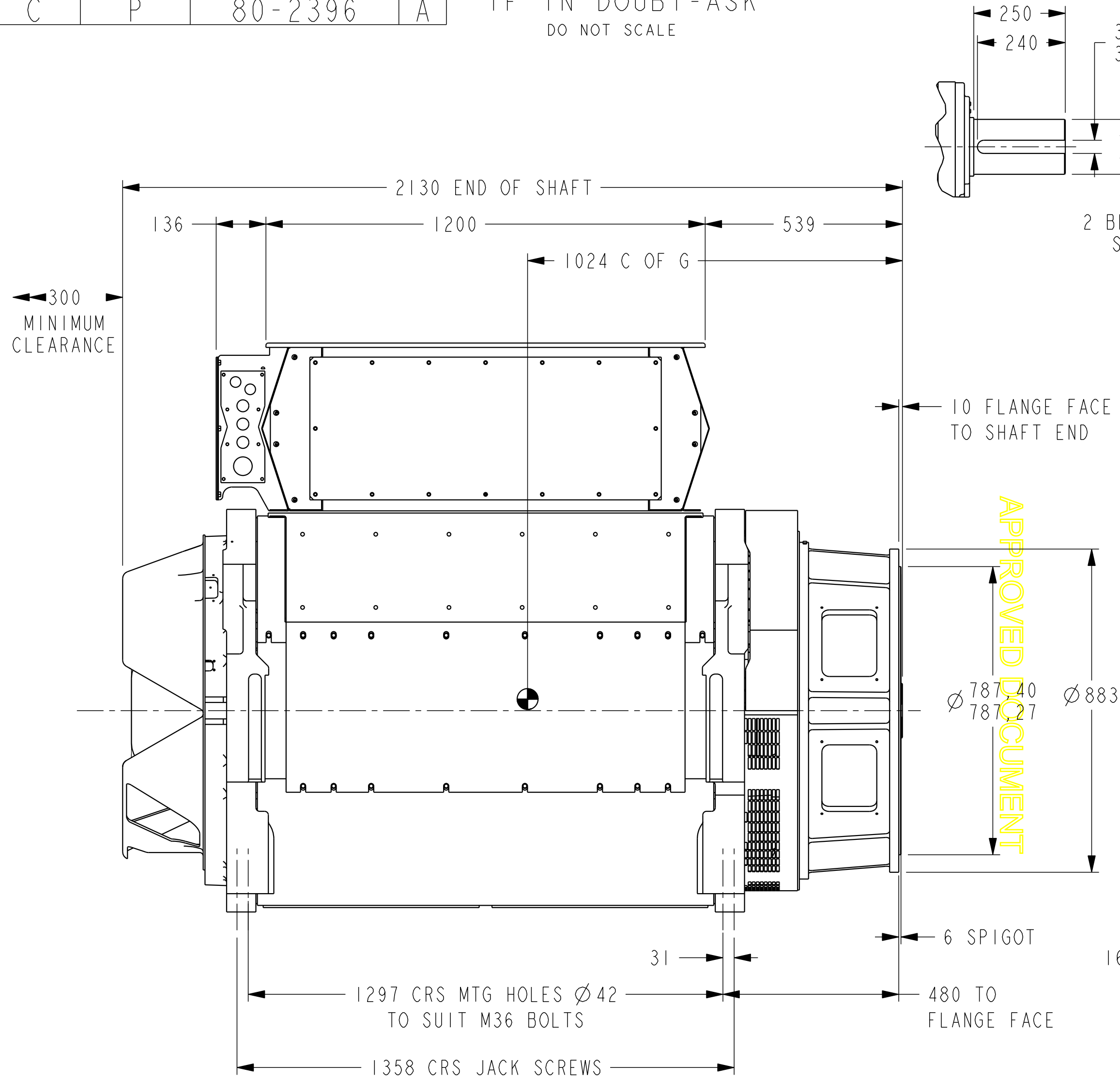
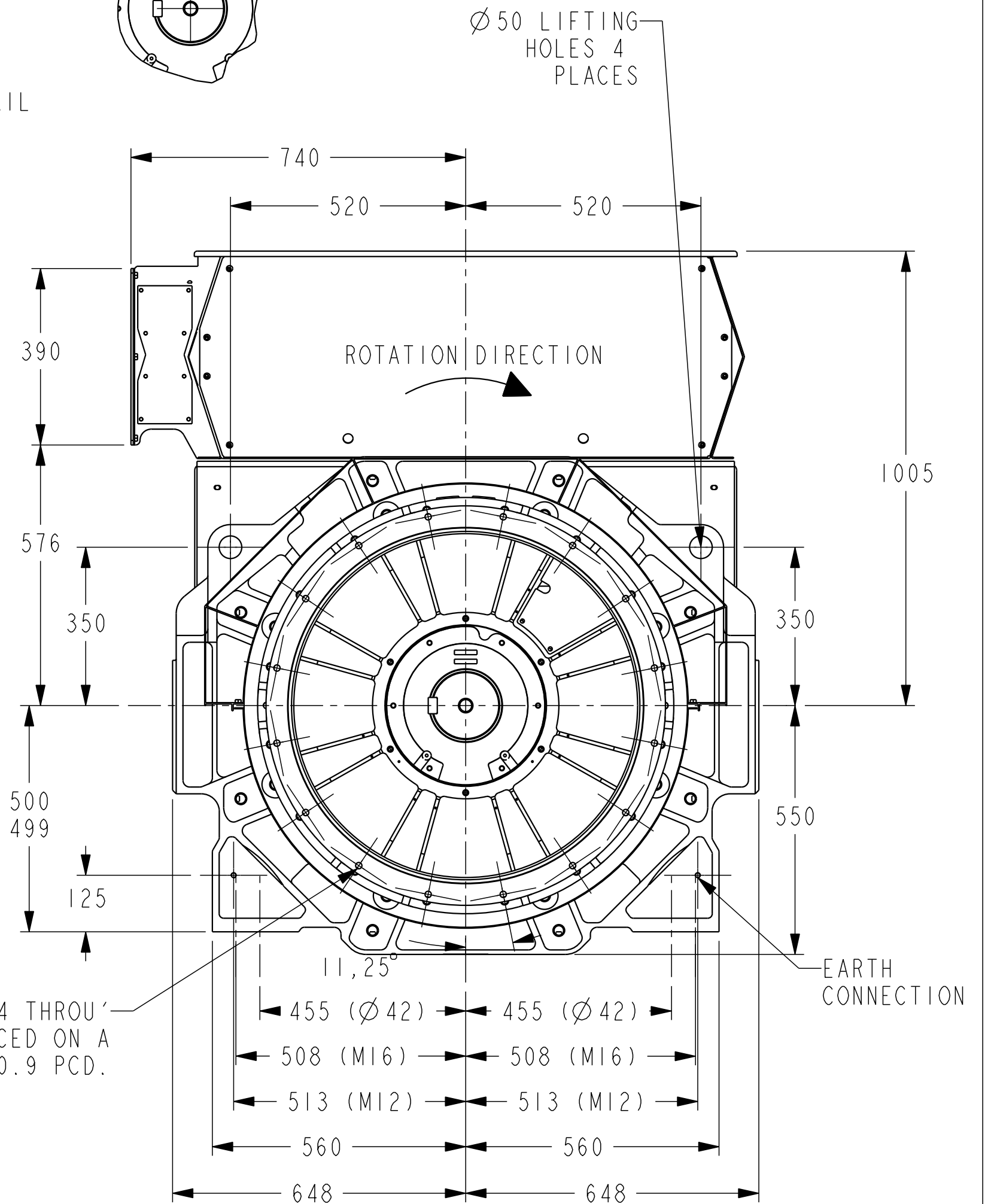


IF IN DOUBT-ASK
DO NOT SCALE



2 BEARING DETAIL
SCALE 1:10

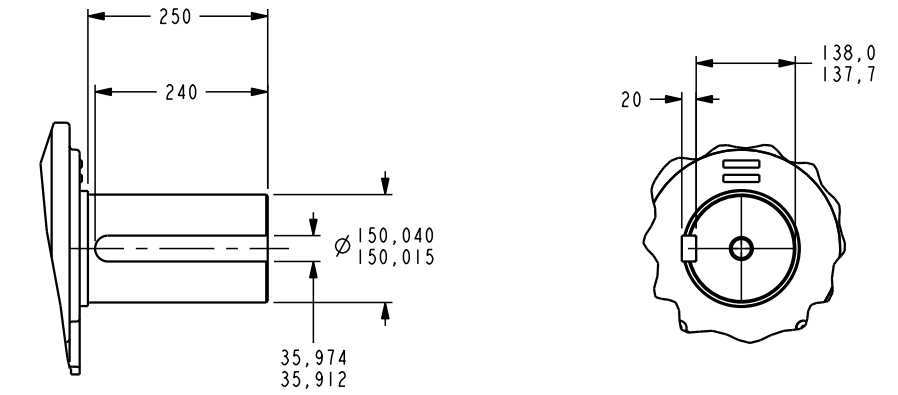
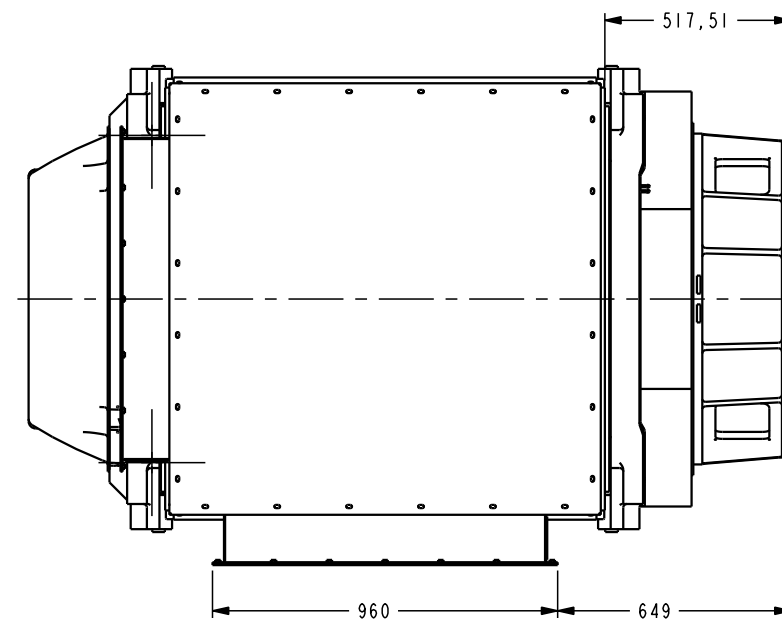


APPROVED DOCUMENT

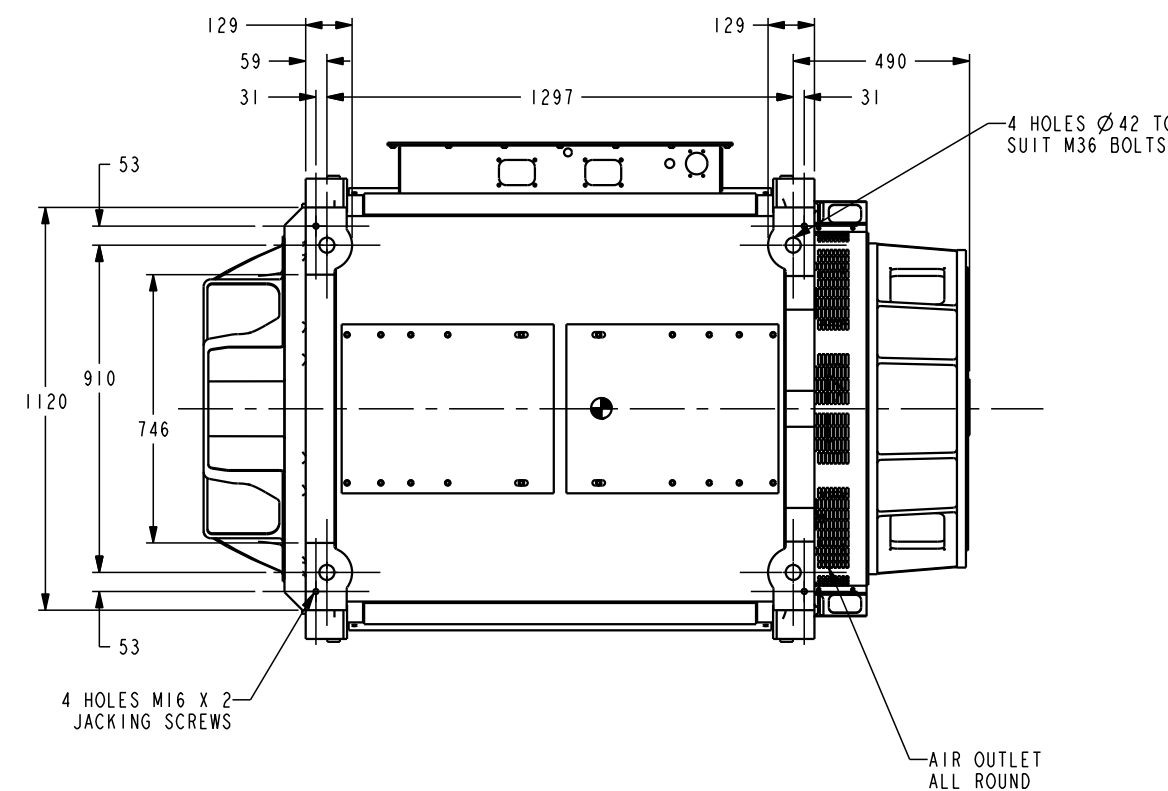
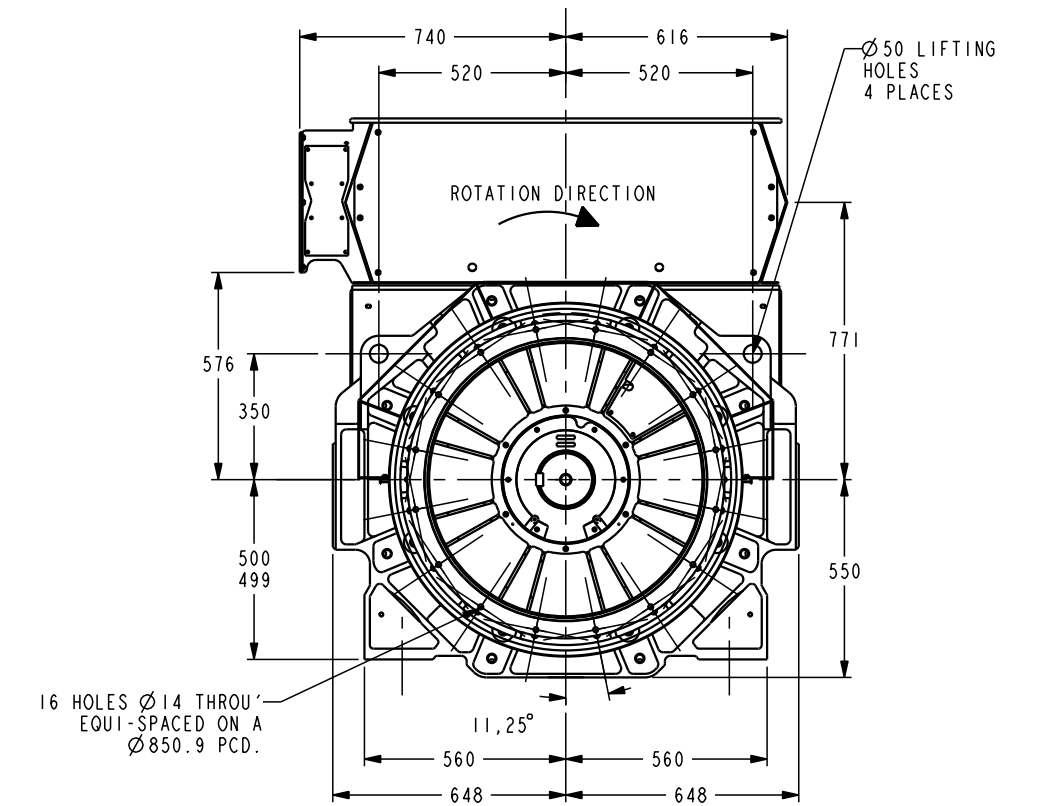
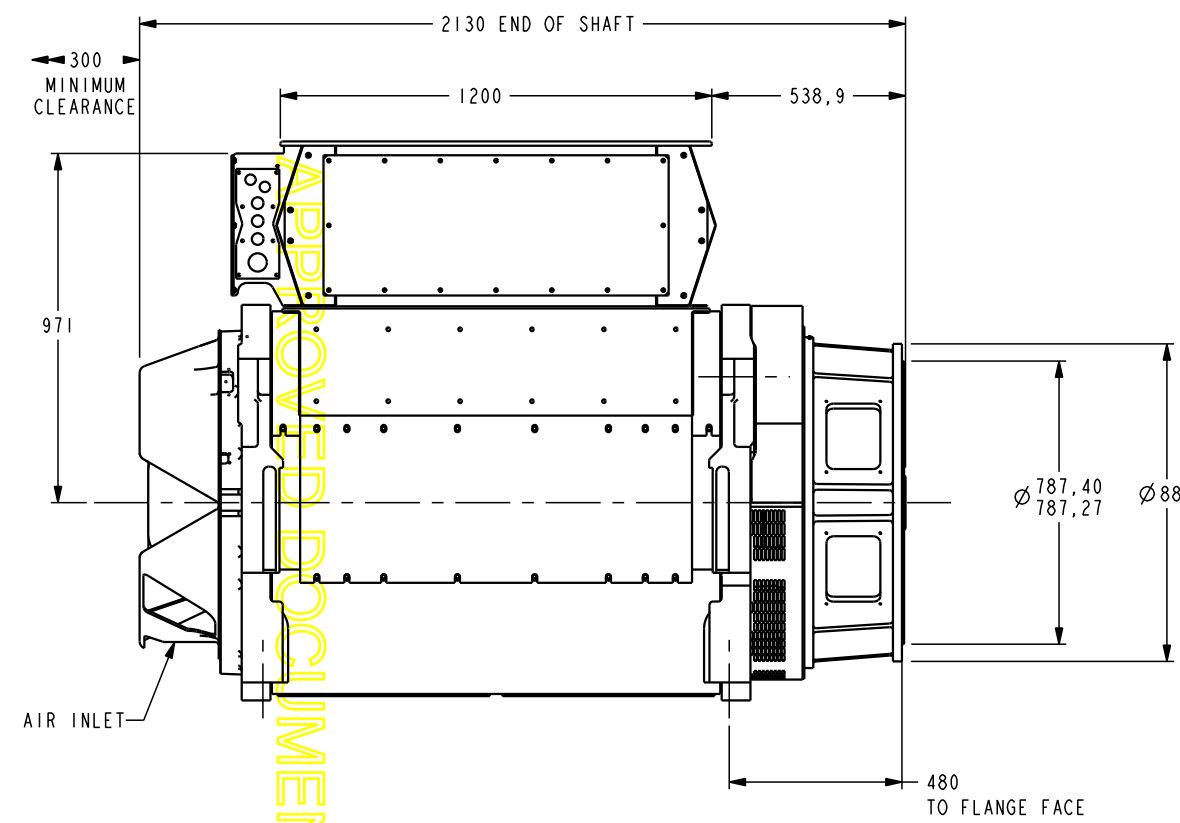
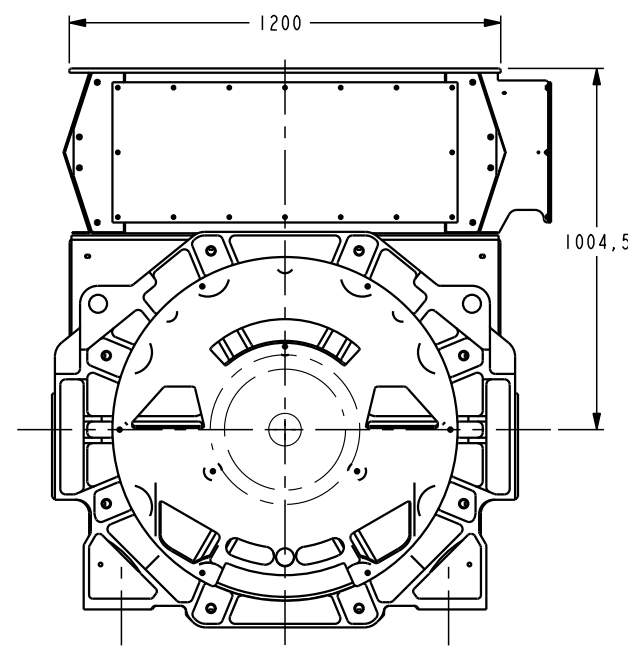
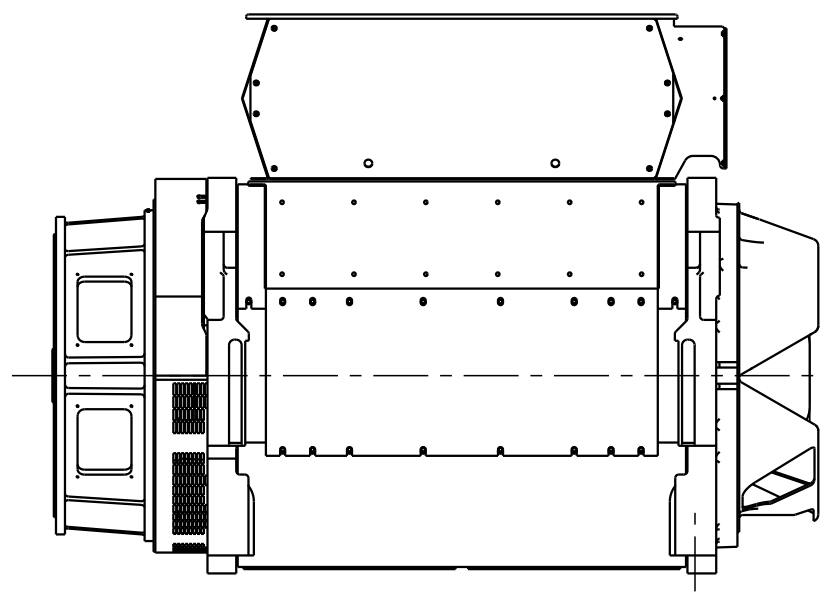
CONFIDENTIAL PROPERTY OF
CUMMINS GENERATOR TECHNOLOGIES LTD

P80 ALTERNATOR MV R CORE
CENTRE HEIGHT = INTEGRAL 500
CONNECTION ADAPTOR SAE00

MATERIAL PROPS	-	DIMENSIONS IN MILLIMETRES (MM) AT 20°C	PROJECTION			SCALE 1:10	MATERIAL SEE BOM									
FINISH SPEC	-															
GEOMETRY SPEC	-		WEIGHT = 5521 KG													
ASSEMBLY SPEC	-		<table border="1"> <tr> <td>DRAWN</td> <td>IAM</td> <td>11/09/07</td> </tr> <tr> <td>CHECKED</td> <td>IAM</td> <td>11/09/07</td> </tr> <tr> <td>APPROVED</td> <td>R.MAC</td> <td>11/09/07</td> </tr> </table>					DRAWN	IAM	11/09/07	CHECKED	IAM	11/09/07	APPROVED	R.MAC	11/09/07
DRAWN	IAM		11/09/07													
CHECKED	IAM	11/09/07														
APPROVED	R.MAC	11/09/07														
PERFORMANCE SPEC	-	SURFACE FINISH VALUES IN MICRO METRES														
QUALITY SPEC	-	UNLIMITED DIMS ± --			DRG. SIZE C	PART No 80-2396										
4-8326-05 A IAM 11/09/07 ORIGINAL ISSUE							REL. PHASE P	ISSUE A								
MOD.	ISSUE	DRAWN	DATE	MODIFICATION	PRO/ENGINEER				SHEET 1 OF 2 SHEETS							



2 BEARING SHAFT DETAIL
SCALE 1:5



FRAME	P80
CORE LENGTH	R
VOLTAGE RATING	MV
BEARINGS	2
CENTRE HEIGHT	INTEGRAL 500
ADAPTOR	SAE00
COUPLING	NONE
ENCLOSURE	IP23
CABLE ENTRY FROM DE	LEFT

CONFIDENTIAL PROPERTY OF CUMMINS GENERATOR TECHNOLOGIES LTD		P80 ALTERNATOR MV R CORE CENTRE HEIGHT = INTEGRAL 500 CONNECTION ADAPTOR SAE00	
MATERIAL PROPS	-	SCALE	1:10
FINISH SPEC	-	DRG. SIZE	A
GEOMETRY SPEC	-	WEIGHT	= 5521 NG
ASSEMBLY SPEC	-	DRAWN	IAM 11/09/07
PERFORMANCE SPEC	-	CHECKED	IAM 11/09/07
QUALITY SPEC	-	APPROVED	R.MAC 11/09/07
DIMENSIONS IN MILLIMETRES (MM) AT 20°C		PROJECTION	
SURFACE FINISH VALUES IN MICRO METRES		FIRST ANGLE	
UNLIMITED DIMS ±		MATERIAL	
		SEE BOM	
		CASTING No	
		PART No	
		80-2396	
		ISSUE	
		A	
		SHEET	
		2 OF 2 SHEETS	

4-8326-05	A	IAM	11/09/07	ORIGINAL ISSUE
MOD.	ISSUE	DRAWN	DATE	MODIFICATION