

CREO PARAMETRIC

4

3

2

1

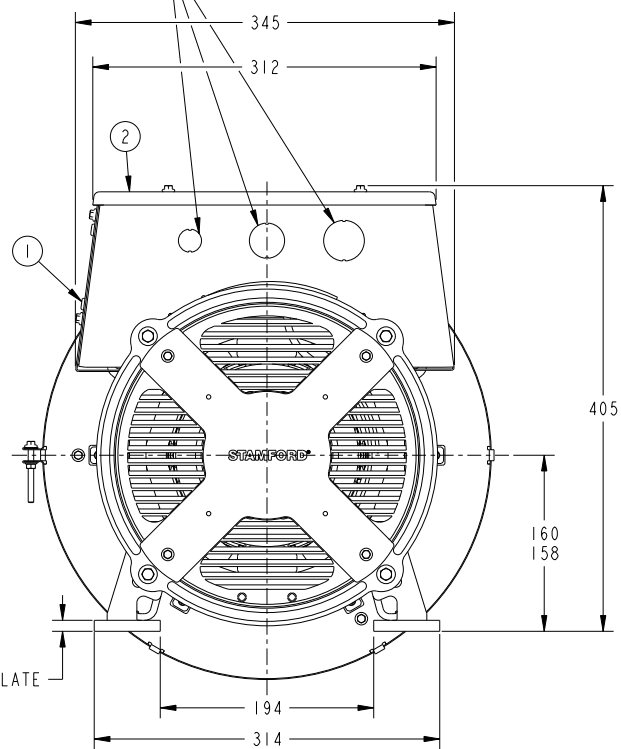
TABULATION						
FRAME	CURRENT ER	"A"	"B"	"C"	"X"	NETT WT (Kg)
SOL2-F1	ECO-163464	459.5	257	211	211	101
SOL2-G1	ECO-163464	459.5	257	211	211	107
SOL2-K1	ECO-163464	479.5	277	222	222	113
SOL2-M1	ECO-163464	494.5	292	230	230	124
SOL2-P1	ECO-163464	514.5	312	240	240	132
SOL2-U1	ECO-163464	544.5	342	255	255	141

COUPLING DISC					
SAE	"AN"	"AM"	"AP"	"AR"	"V"
6.5	30.2	6	8.7	200.0	215.8
7.5	30.2	8	8.7	222.3	241.2
10	53.8	8	11	295.3	314.2

REL NO	REV	DETAIL	DWN CKD	APVD	DATE
ECO-163464	C	PRODUCTION RELEASE	MMA UKD	S. JOSHI	26 JUL 16

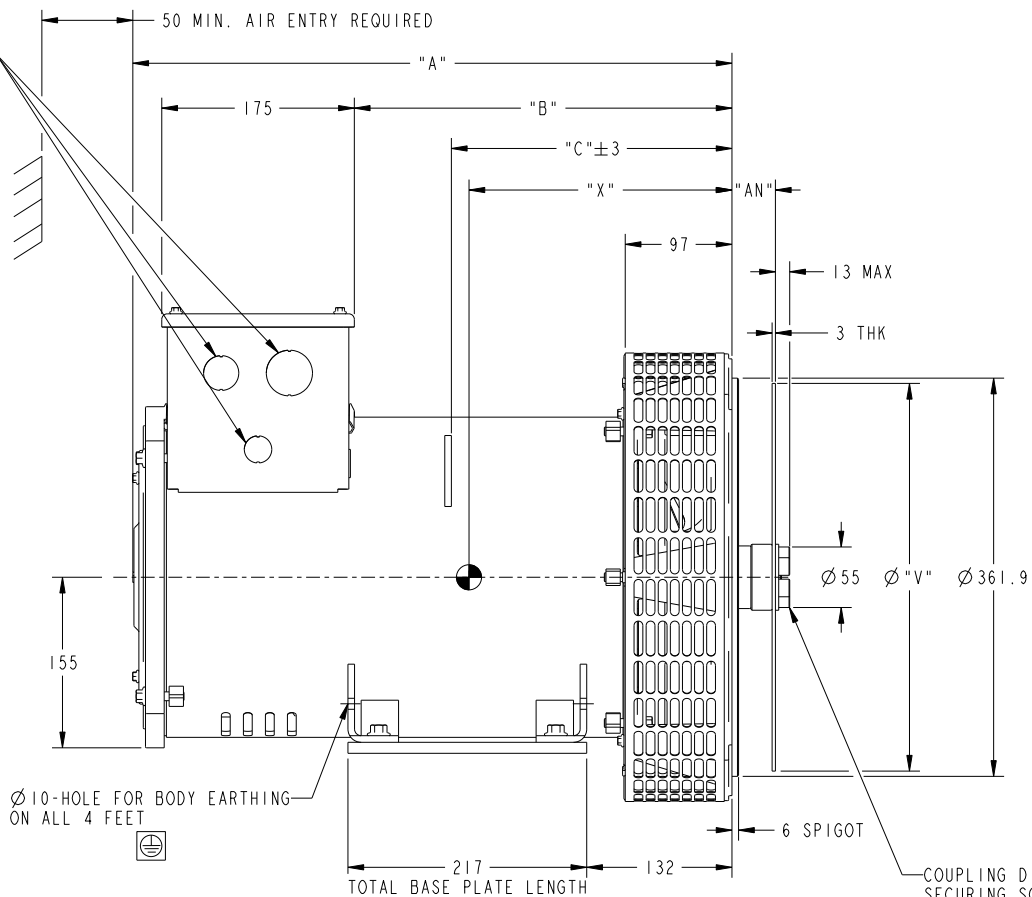
①-REMOVABLE COVER FOR ACCESS TO AVR
 ②-REMOVABLE COVER FOR ACCESS TO MAIN TERMINALS
 * FOR KNOCKOUT DETAILS REFER TERMINAL BOX DRAWING

KNOCKOUT ON REAR FOR CABLE ENTRY*



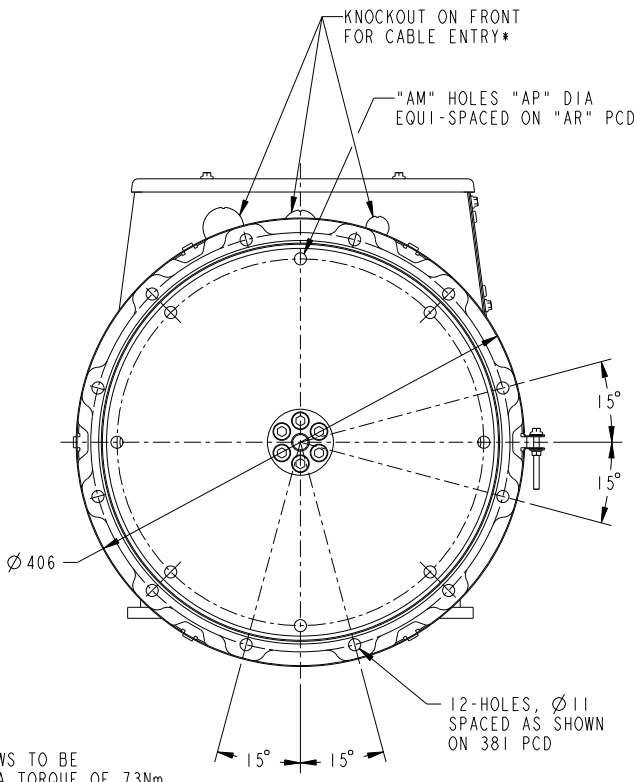
50 MIN. AIR ENTRY REQUIRED

KNOCKOUT ON SIDE FOR CABLE ENTRY*



KNOCKOUT ON FRONT FOR CABLE ENTRY*

"AM" HOLES "AP" DIA EQUI-SPACED ON "AR" PCD

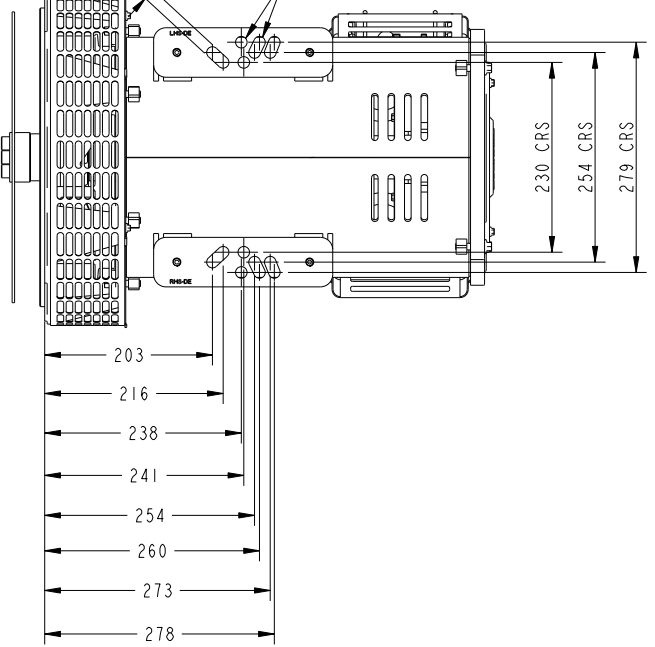


COUPLING DISC SECURING SCREWS TO BE TIGHTENED TO A TORQUE OF 73Nm

Ø10-HOLE FOR BODY EARTHING ON ALL 4 FEET

TOTAL BASE PLATE LENGTH

Ø14 HOLES & SLOTS FOR MOUNTING



SCALE 1:4
FOOT PRINT VIEW

UNLESS OTHERWISE SPECIFIED, ALL DIMENSIONS ARE IN MILLIMETERS		SIN TO -		DWN M. ATHANI			CUMMINS GENERATOR TECHNOLOGIES																																										
DO NOT SCALE PRINT		APVD U. DAGWALE		DATE 13 JAN 16			1-BEARING ALTERNATOR SAE4 ADAPTER SOL2 4-POLE (160CH)																																										
<table border="1"> <tr> <td>0.00-4.99</td> <td>+0.15/-0.08</td> </tr> <tr> <td>5.00-9.99</td> <td>+0.20/-0.10</td> </tr> <tr> <td>10.00-24.99</td> <td>+0.25/-0.13</td> </tr> <tr> <td>25.00-49.99</td> <td>+0.30/-0.13</td> </tr> </table>		0.00-4.99	+0.15/-0.08	5.00-9.99	+0.20/-0.10	10.00-24.99	+0.25/-0.13	25.00-49.99	+0.30/-0.13	<table border="1"> <tr> <td>0.00-4.99</td> <td>+0.15/-0.08</td> </tr> <tr> <td>5.00-9.99</td> <td>+0.20/-0.10</td> </tr> <tr> <td>10.00-24.99</td> <td>+0.25/-0.13</td> </tr> <tr> <td>25.00-49.99</td> <td>+0.30/-0.13</td> </tr> </table>		0.00-4.99	+0.15/-0.08	5.00-9.99	+0.20/-0.10	10.00-24.99	+0.25/-0.13	25.00-49.99	+0.30/-0.13	<table border="1"> <tr> <td>0.00-4.99</td> <td>+0.15/-0.08</td> </tr> <tr> <td>5.00-9.99</td> <td>+0.20/-0.10</td> </tr> <tr> <td>10.00-24.99</td> <td>+0.25/-0.13</td> </tr> <tr> <td>25.00-49.99</td> <td>+0.30/-0.13</td> </tr> </table>		0.00-4.99	+0.15/-0.08	5.00-9.99	+0.20/-0.10	10.00-24.99	+0.25/-0.13	25.00-49.99	+0.30/-0.13	<table border="1"> <tr> <td>0.00-4.99</td> <td>+0.15/-0.08</td> </tr> <tr> <td>5.00-9.99</td> <td>+0.20/-0.10</td> </tr> <tr> <td>10.00-24.99</td> <td>+0.25/-0.13</td> </tr> <tr> <td>25.00-49.99</td> <td>+0.30/-0.13</td> </tr> </table>		0.00-4.99	+0.15/-0.08	5.00-9.99	+0.20/-0.10	10.00-24.99	+0.25/-0.13	25.00-49.99	+0.30/-0.13	<table border="1"> <tr> <td>0.00-4.99</td> <td>+0.15/-0.08</td> </tr> <tr> <td>5.00-9.99</td> <td>+0.20/-0.10</td> </tr> <tr> <td>10.00-24.99</td> <td>+0.25/-0.13</td> </tr> <tr> <td>25.00-49.99</td> <td>+0.30/-0.13</td> </tr> </table>		0.00-4.99	+0.15/-0.08	5.00-9.99	+0.20/-0.10	10.00-24.99	+0.25/-0.13	25.00-49.99	+0.30/-0.13
0.00-4.99	+0.15/-0.08																																																
5.00-9.99	+0.20/-0.10																																																
10.00-24.99	+0.25/-0.13																																																
25.00-49.99	+0.30/-0.13																																																
0.00-4.99	+0.15/-0.08																																																
5.00-9.99	+0.20/-0.10																																																
10.00-24.99	+0.25/-0.13																																																
25.00-49.99	+0.30/-0.13																																																
0.00-4.99	+0.15/-0.08																																																
5.00-9.99	+0.20/-0.10																																																
10.00-24.99	+0.25/-0.13																																																
25.00-49.99	+0.30/-0.13																																																
0.00-4.99	+0.15/-0.08																																																
5.00-9.99	+0.20/-0.10																																																
10.00-24.99	+0.25/-0.13																																																
25.00-49.99	+0.30/-0.13																																																
0.00-4.99	+0.15/-0.08																																																
5.00-9.99	+0.20/-0.10																																																
10.00-24.99	+0.25/-0.13																																																
25.00-49.99	+0.30/-0.13																																																
ANG TOL: ± 0.5°		SCALE: 1:3		<table border="1"> <tr> <td>FOR INTERPRETATION OF DIMENSIONS AND TOLERANCING, SEE ASME Y14.5M-1994</td> <td>FIRST USED ON</td> </tr> </table>		FOR INTERPRETATION OF DIMENSIONS AND TOLERANCING, SEE ASME Y14.5M-1994	FIRST USED ON	<table border="1"> <tr> <td>SITE CODE</td> <td>SHEET</td> <td>REV</td> </tr> <tr> <td>PUN</td> <td>AI</td> <td>I C</td> </tr> </table>		SITE CODE	SHEET	REV	PUN	AI	I C																																		
FOR INTERPRETATION OF DIMENSIONS AND TOLERANCING, SEE ASME Y14.5M-1994	FIRST USED ON																																																
SITE CODE	SHEET	REV																																															
PUN	AI	I C																																															
<table border="1"> <tr> <td>PROPERTY OF CUMMINS GENERATOR TECHNOLOGIES</td> <td>CONFIDENTIAL</td> </tr> </table>		PROPERTY OF CUMMINS GENERATOR TECHNOLOGIES	CONFIDENTIAL	<table border="1"> <tr> <td>DATE 13 JAN 16</td> <td>SCALE: 1:3</td> </tr> </table>		DATE 13 JAN 16	SCALE: 1:3	<table border="1"> <tr> <td>DATE 13 JAN 16</td> <td>SCALE: 1:3</td> </tr> </table>		DATE 13 JAN 16	SCALE: 1:3	<table border="1"> <tr> <td>DATE 13 JAN 16</td> <td>SCALE: 1:3</td> </tr> </table>		DATE 13 JAN 16	SCALE: 1:3	<table border="1"> <tr> <td>DATE 13 JAN 16</td> <td>SCALE: 1:3</td> </tr> </table>		DATE 13 JAN 16	SCALE: 1:3																														
PROPERTY OF CUMMINS GENERATOR TECHNOLOGIES	CONFIDENTIAL																																																
DATE 13 JAN 16	SCALE: 1:3																																																
DATE 13 JAN 16	SCALE: 1:3																																																
DATE 13 JAN 16	SCALE: 1:3																																																
DATE 13 JAN 16	SCALE: 1:3																																																
<table border="1"> <tr> <td>DATE 13 JAN 16</td> <td>SCALE: 1:3</td> </tr> </table>		DATE 13 JAN 16	SCALE: 1:3	<table border="1"> <tr> <td>DATE 13 JAN 16</td> <td>SCALE: 1:3</td> </tr> </table>		DATE 13 JAN 16	SCALE: 1:3	<table border="1"> <tr> <td>DATE 13 JAN 16</td> <td>SCALE: 1:3</td> </tr> </table>		DATE 13 JAN 16	SCALE: 1:3	<table border="1"> <tr> <td>DATE 13 JAN 16</td> <td>SCALE: 1:3</td> </tr> </table>		DATE 13 JAN 16	SCALE: 1:3	<table border="1"> <tr> <td>DATE 13 JAN 16</td> <td>SCALE: 1:3</td> </tr> </table>		DATE 13 JAN 16	SCALE: 1:3																														
DATE 13 JAN 16	SCALE: 1:3																																																
DATE 13 JAN 16	SCALE: 1:3																																																
DATE 13 JAN 16	SCALE: 1:3																																																
DATE 13 JAN 16	SCALE: 1:3																																																
DATE 13 JAN 16	SCALE: 1:3																																																

4

3

2

1