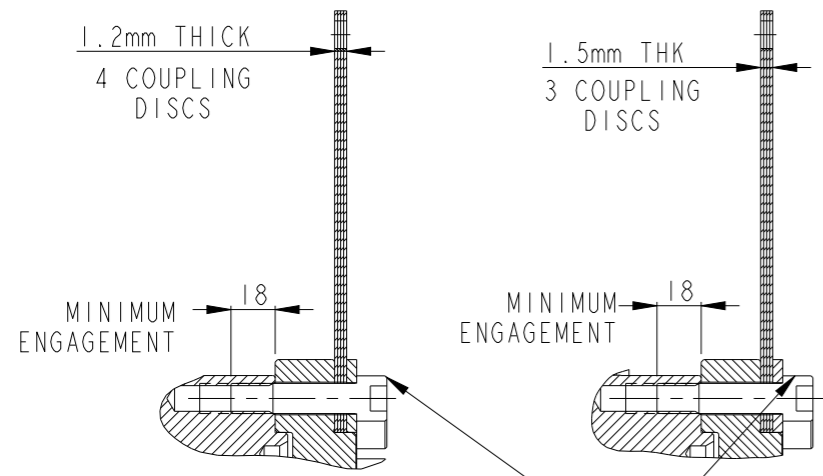
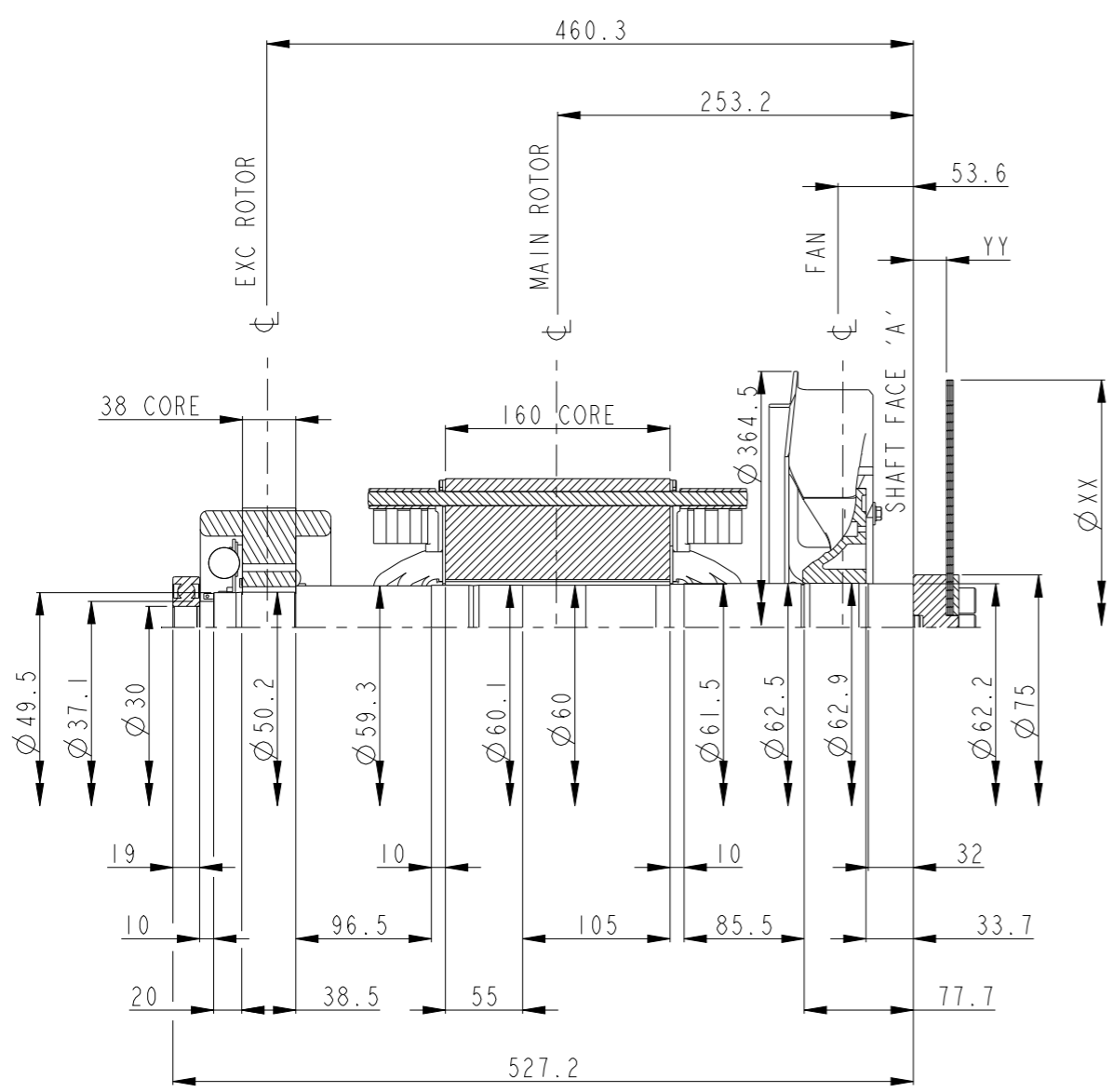


REL NO	REV	DETAIL	DWN	CKD	APVD	DATE
ECO-170415	C	PRODUCTION RELEASE	KDP	UKD	S. JOSHI	12JUL17
		ZONE D3, DIM 53.6 WAS 51				
		ZONE B3, DIM 32,33.7 & 77.7 WAS 22,28.7 & 72.7				
		TABLE, FAN WT 1.76 WAS 1.676				
		TABLE, FAN MI 0.0182 WAS 0.0172				
		ZONE A3/A4, DIM 18 WAS 19				

- NOTES:
- SHAFT STIFFNESS:  
THE STIFFNESS OF THE SHAFT BETWEEN THE MAIN ROTOR CORE  $\phi$  AND THE SHAFT FACE 'A' IS  $4.5733 \times 10^6$  kgcm/radian (STIFFENING EFFECT OF MAIN ROTOR CORE IS NOT INCLUDED IN THIS FIGURE)
  - SHAFT MATERIAL:  
STEEL - C40E TO BSEN 10083-2 2006  
MAXIMUM RECOMMENDED VIBRATORY STRESS LEVEL IN THE SHAFT IS  $34.47 \times 10^6$  N/m<sup>2</sup> FOR SPEED RANGE OF 0.95 TO 1.1 X NOMINAL SPEED AND  $68.94 \times 10^6$  N/m<sup>2</sup> FOR RUN THROUGH CONDITIONS, FOR INDUSTRIAL MACHINES
  - CUMMINS GENERATOR TECHNOLOGIES LTD SHOULD BE NOTIFIED OF ANY ROTORS NOT COMPLYING WITH THESE RULES
  - CUMMINS GENERATOR TECHNOLOGIES LTD BALANCE ROTORS TO COMPLY WITH INTERNATIONAL STD BS ISO 1940 PARTS 1 AND 2. BALANCE GRADE 2.5
  - FOR UNBALANCED MAGNETIC PULL (U.M.P) REFER BACK TO THE FACTORY



SECTION B-B  
SCALE 1:2

6 EQUI-SPACED  
SOCKET HEAD SCREW  
M12 X 1.75 PITCH ON 44 PCD  
TORQUE 147 Nm

ADAPTOR SAE No.	COUPLING SAE No.	COUPLING DIMENSIONS		MASS OF DISCS (kg) (4 X 1.2mm THICK)	MASS OF DISCS (kg) (3 X 1.5mm THICK)	MASS OF SHAFT SPACER (kg)	MASS OF PRESSURE PLATE (kg)	TOTAL MASS OF COUPLING ASSEMBLY (kg)	COUPLING STIFFNESS (kgcm/rad)	COUPLING DISC WR <sup>2</sup> (kgm <sup>2</sup> )
		$\phi XX$ mm	YY mm							
3/4	10	314.2	37.97	2.855	-	1.078	0.107	4.040	$23.96 \times 10^6$	0.0354
3	11 1/2	352.3	23.62	3.606	-	0.671	0.107	4.384	$23.84 \times 10^6$	0.0562
3/4	10	314.2	37.97	-	2.676	1.078	0.107	3.861	$22.46 \times 10^6$	0.0332
3	11 1/2	352.3	23.62	-	3.381	0.671	0.107	4.159	$22.35 \times 10^6$	0.0526

CONVERSION FACTORS			COMPONENT	Wt Kg	WR <sup>2</sup> Kg m <sup>2</sup>
TO CONVERT	TO	DIVIDE BY			
kg	lb	0.453592	FAN	1.76	0.0182
kg m <sup>2</sup>	lb ft <sup>2</sup>	0.04214	SHAFT	10.99	0.0049
kgcm/rad	lbin/rad	1.1521246	MAIN ROTOR	38.21	0.2212
N/m <sup>2</sup>	lbf/in <sup>2</sup>	6894.76	EXCITER ROTOR	6.20	0.0249
			TOTAL	57.16	0.2692

UNLESS OTHERWISE SPECIFIED, ALL DIMENSIONS ARE IN MILLIMETERS		SIM TO -	DWN K. PAWAR		CUMMINS GENERATOR TECHNOLOGIES											
DO NOT SCALE PRINT		CKD U. DAGWALE	APVD S. JOSHI		DRAWING, TORSIONAL											
<table border="1"> <tr> <th>DIM</th> <th>HOLE</th> </tr> <tr> <td>X ± 1</td> <td>0.00-4.99 +0.15/-0.08</td> </tr> <tr> <td>X.X ± 0.1</td> <td>5.00-9.99 +0.20/-0.10</td> </tr> <tr> <td>X.XX ± 0.01</td> <td>10.00-17.49 +0.25/-0.13</td> </tr> <tr> <td></td> <td>17.50-24.99 +0.30/-0.13</td> </tr> </table>		DIM	HOLE	X ± 1	0.00-4.99 +0.15/-0.08	X.X ± 0.1	5.00-9.99 +0.20/-0.10	X.XX ± 0.01	10.00-17.49 +0.25/-0.13		17.50-24.99 +0.30/-0.13		DATE 18MAR16	SITE CODE	SIL2-HI 4P	
DIM	HOLE															
X ± 1	0.00-4.99 +0.15/-0.08															
X.X ± 0.1	5.00-9.99 +0.20/-0.10															
X.XX ± 0.01	10.00-17.49 +0.25/-0.13															
	17.50-24.99 +0.30/-0.13															
ANG TOL: ± 0.5°	SCALE: 1:4	<p><b>CONFIDENTIAL</b></p> <p>PROPERTY OF CUMMINS GENERATOR TECHNOLOGIES</p>	FIRST USED ON	PUN	DWG SIZE A2	A054Y403										
					SHEET 1	REV C										