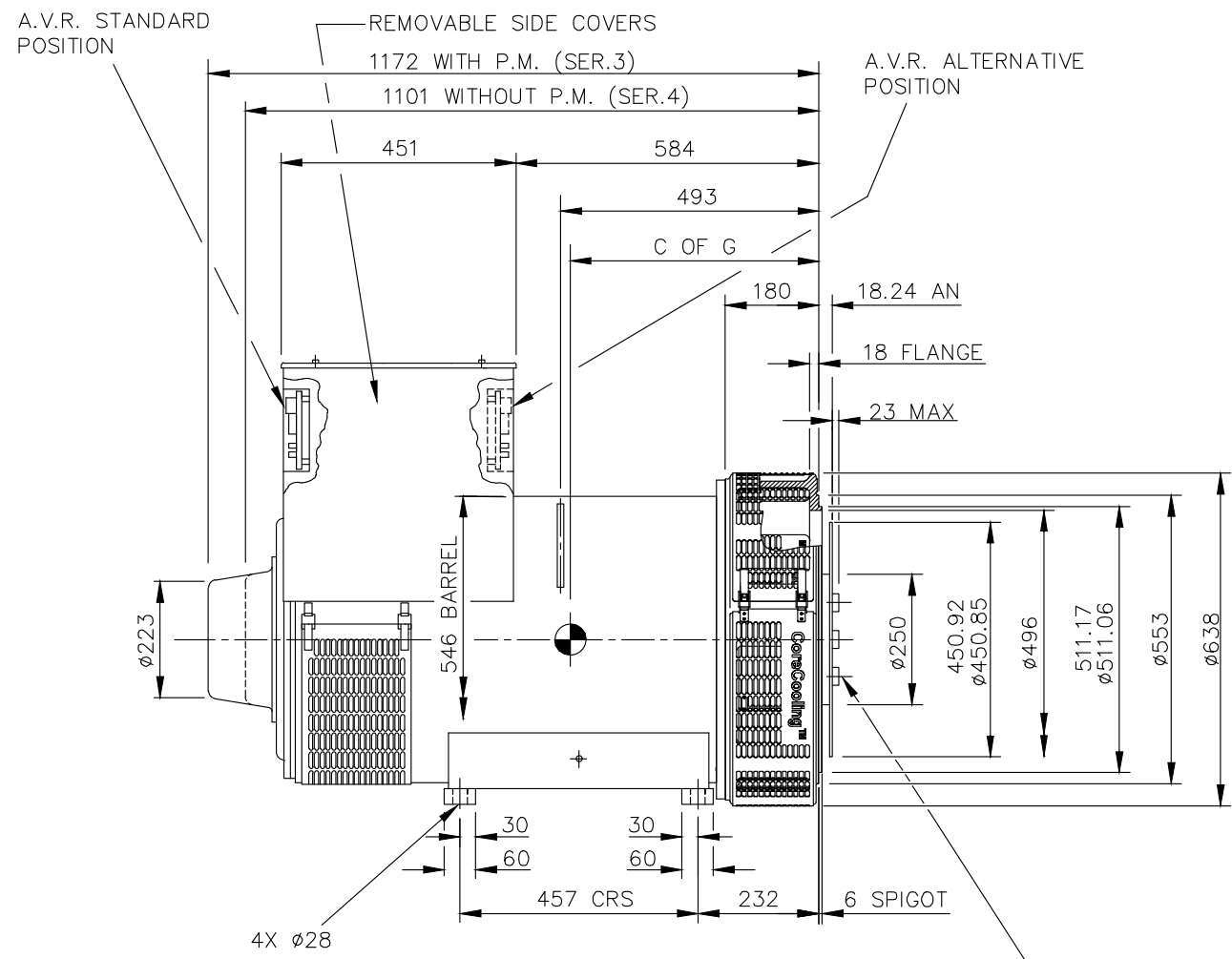
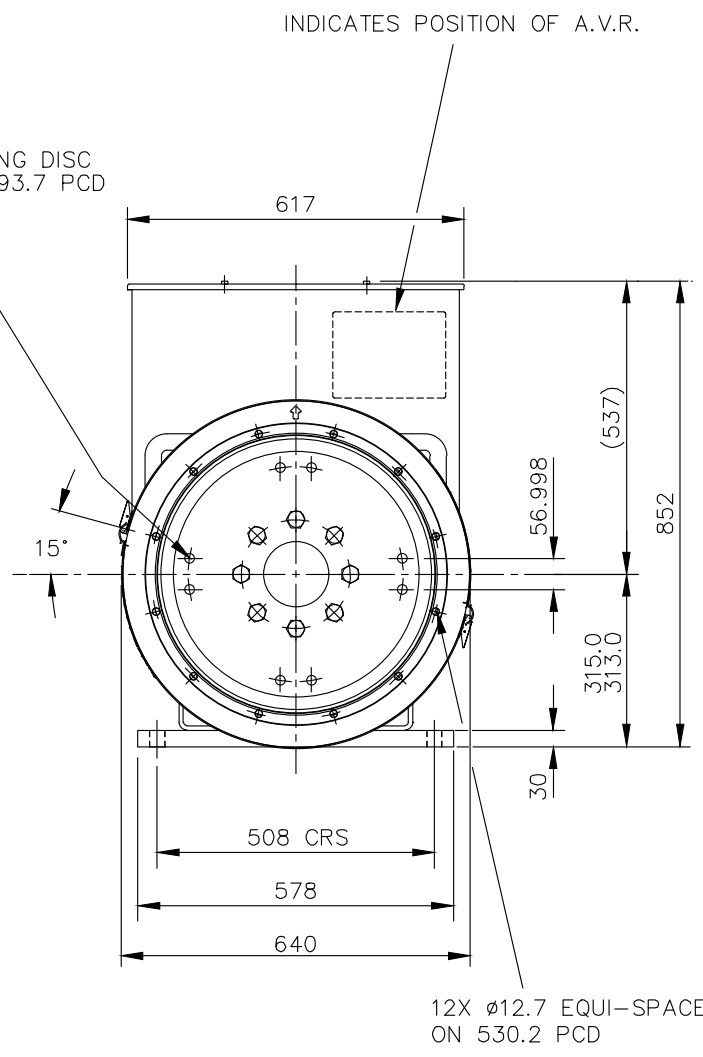


CORE	C OF G (mm)	WEIGHT (KG)
C	463	850
D	483	940
E	504	1024

NOTE: -
 1. CUSTOMER MAY CUT CABLE ENTRY HOLES AS REQUIRED IN ANY OF THE FOUR TERMINAL BOX SIDES SUBJECT TO POSITION OF A.V.R, TERMINALS ETC.



8X Ø16.7 IN COUPLING DISC
 EQUI-SPACED ON 393.7 PCD



4-PLATE COUPLING TOTAL THICKNESS 4.8 MM
 HUB SECURING BOLTS TO BE TIGHTENED TO
 A TORQUE OF 48 Kgf-m (479 N-m)

Cummins Generator Technologies		
DIMENSIONS ARE IN: MILLIMETERS [] ARE IN: ----		
DIMENSIONING AND TOLERANCING PER: ASME Y14.5-2009		SCALE: NTS
DRAWING SPECIFICATION DESCRIPTION S4L1D C/D/E, 1-BRG SAE1/17.75, STD T/BOX		THIRD ANGLE PROJECTION
		CAD SYSTEM AutoCAD®

Document Generated: 18MAR2020 13:34 GMT



Part Number: A055J598

Change Notice	CN00015804	Alternates	
Manufacturer Part (MEP)	No	Usage	Production Only
Release Phase Code	Production (P)	Drawing Specification	DSA055J598
External Regulations		No External Regulation	

3D image provided when available for visual reference only.

Associated Specifications

Number	Name	Type	Category	Sub-Category
ESA030B356	SPECIFICATION,MATERIAL	Engineering Specification	Material Specification	Prohibited and Restricted Prohibited and Restricted

Drawing Revision Information

Description of Change(s)
ADAPTER, GENERATOR, A063X685 WAS A054S980 SHEET 1 ZONE C5, 638 WAS 620 SHEET 1 ZONE C5, 553 WAS 553.5

Drawing Authorization

Drafter	Bhushan Ashok Surve	Date	18MAR2020
Checker	Bhushan Ashok Surve	Date	18MAR2020
Approver	NO APPROVAL REQUIRED	Date	

Document Generated: 18MAR2020 13:34 GMT