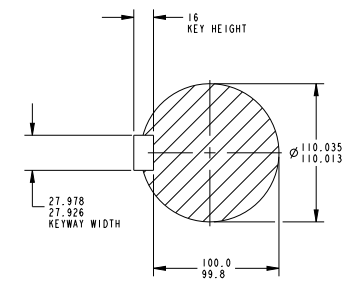
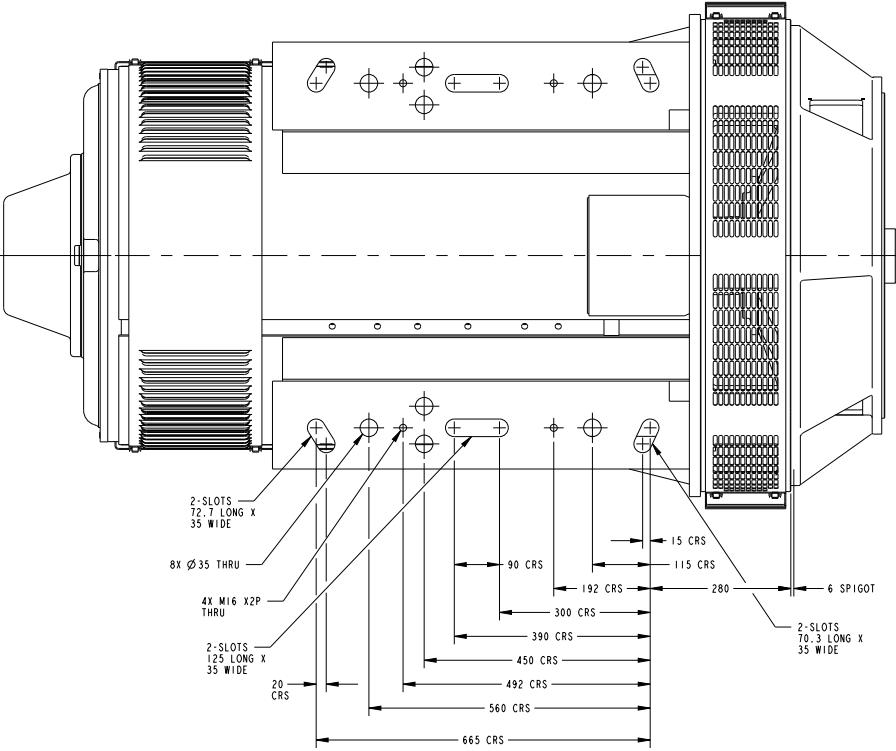
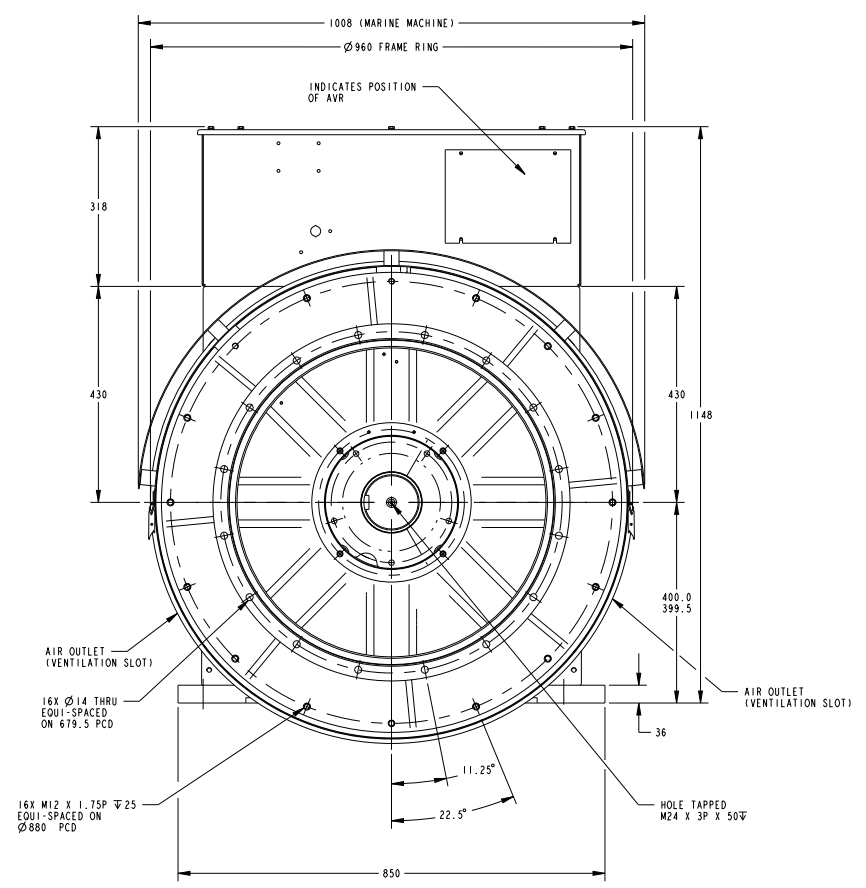
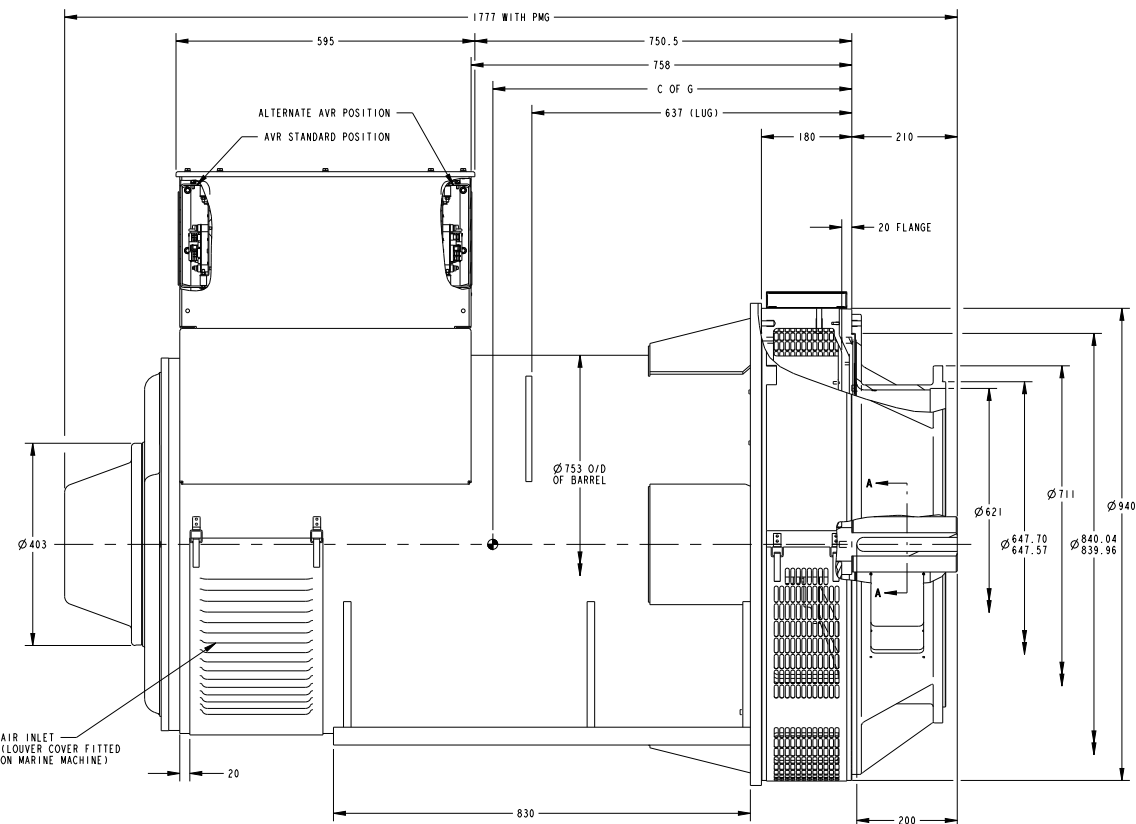
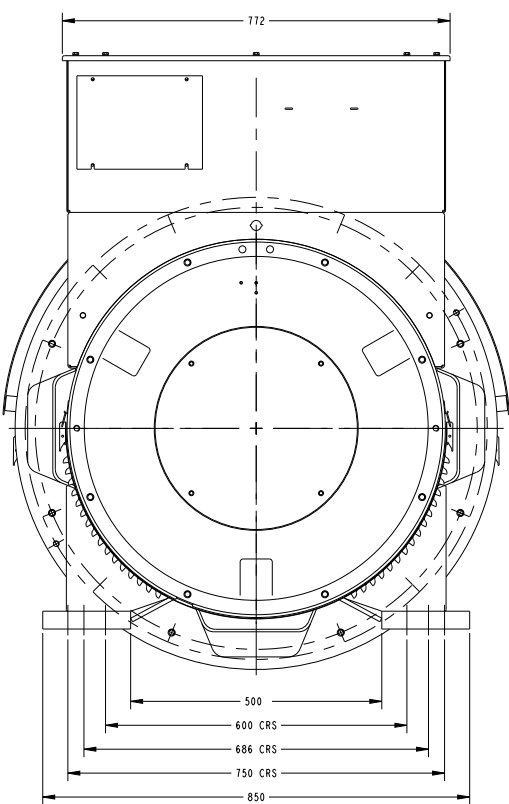


CORE	WEIGHT (KG)	C OF G
H	2962	701

REV. NO.	REV. DATE	REVISION	DES. CD	APPD.	DATE	
ECO-182912	B	1	ZONE D4 FOR H CORE WEIGHT 2962 WAS 2836	KSKIRDHJ	SAUNDATTI	17.JAN.19
		2	ZONE C2 & C3, ADD DIM 830	KSKIRDHJ	SAUNDATTI	17.JAN.19
		3	ZONE C3, ADD DIM 20	KSKIRDHJ	SAUNDATTI	17.JAN.19
		4	ZONE B1, DIM 16 WAS 8	KSKIRDHJ	SAUNDATTI	17.JAN.19

NOTES:
 1. CUSTOMER MUST ENSURE THAT AIR INLET & OULET POSITIONS ARE NOT OBSTRUCTED
 2. VENTILATION SLOTS NOT REQUIRED ON SOME REDUCED LOAD APPLICATIONS



UNLESS OTHERWISE SPECIFIED, ALL DIMENSIONS ARE IN MILLIMETERS	SCALE: 0.200	DO NOT SCALE PRINT	DESIGNED BY: K. PATIL CHECKED BY: R. HANABAR APPD BY: I. SAUNDATTI DATE: 05APR18	CUMMINS GENERATOR TECHNOLOGIES DRAWING, GENERAL ASSEMBLY S61 IM-H, 28, SAE0, STD BOX, (MARINE) STA: A0 A060B839
---	--------------	--------------------	---	---