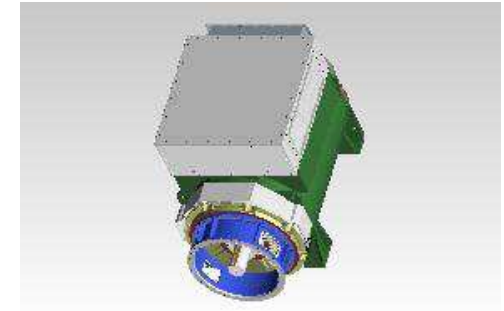


<b>Cummins Generator Technologies</b>			
DIMENSIONS ARE IN: MILLIMETERS [ ] ARE IN: -		SIZE: A2	SCALE: 1:10
DRAWING SPECIFICATION DESCRIPTION S9LV, C-CORE, 2-BRG, SAE 00		DIMENSIONING AND TOLERANCING PER: ASME Y14.5-2009	THIRD ANGLE PROJECTION 
		CAD SYSTEM PTC® Creo® Parametric	



**Part Number: A068E835**

Change Notice	CN00123684	Alternates	
Manufacturer Part (MEP)	No	Usage	Production Only
Release Phase Code	Production (P)	Drawing Specification	Number: DS47095647
External Regulations	No External Regulation		Revision: C



3D image provided when available for visual reference only.

**Drawing Revision Information**

**Description of Change(s)**

Note: Change information is provided for reference only and does not supersede the drawing's primary content.

PRODUCTION RELEASE

**Drawing Authorization**

Drafter	Jordan Randall	Date	24JAN2024
Checker	Sneha Pundlikrao Bondlewad	Date	29JAN2024
Approver	Matthew Hammond	Date	29JAN2024

Document Generated: 29JAN2024 08:43 GMT