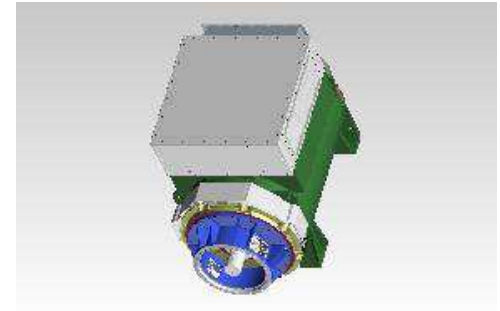






**Part Number: A068G258**

Change Notice	CN00114997	Alternates	
Manufacturer Part (MEP)	No	Usage	Production Only
Release Phase Code	Production (P)	Drawing Specification	Number: DS47096234
External Regulations	No External Regulation		Revision: B



3D image provided when available for visual reference only.

**Drawing Revision Information**

<b>Description of Change(s)</b> Note: Change information is provided for reference only and does not supersede the drawing's primary content.
PRODUCTION RELEASE

**Drawing Authorization**

Drafter	James Nation	Date	24JAN2024
Checker	Jordan Randall	Date	24JAN2024
Approver	Krzysztof Wejrzanowski	Date	25JAN2024

Document Generated: 25JAN2024 12:36 GMT