

Document Generated: 22NOV2023 16:28 GMT

Cummins Data Classification:  
**Cummins Confidential**

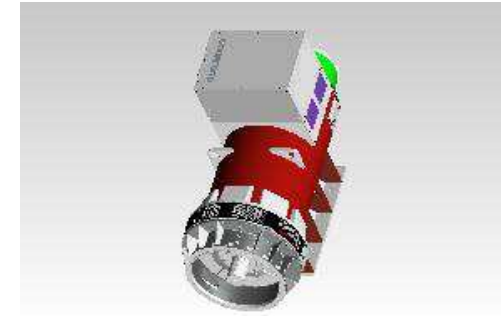
This document (and the information shown thereon) is **Confidential and Proprietary** and shall not be disclosed to others in hard copy or electronic form, reproduced by any means, or used for any purpose without written consent of Cummins Inc.

Part Number: **A074D058** Part Revision: **B**  
 Part Name: **ARRANGEMENT, GENERATOR GENERAL**  
 Drawing Category: **Outline State: Released** Sheet 1 of 2



**Part Number: A074D058**

|                         |                        |                       |                    |
|-------------------------|------------------------|-----------------------|--------------------|
| Change Notice           | CN00112967             | Alternates            |                    |
| Manufacturer Part (MEP) | No                     | Usage                 | Production Only    |
| Release Phase Code      | Production (P)         | Drawing Specification | Number: DS47133822 |
| External Regulations    | No External Regulation |                       | Revision: B        |



3D image provided when available for visual reference only.

**Drawing Revision Information**

**Description of Change(s)**

Note: Change information is provided for reference only and does not supersede the drawing's primary content.

- A. ZONE J/K-8/9 : RMV DIM 7 X M12 X 1.75P 25, 7 X M12 X 1.75P THRO; ON 1000 - PCD
- B. ZONE K-8/9 : ADD DIM 16X DIA 14 THRU EQUI-SPACED ON 851 PCD

ADMINISTRATIVE CHANGE(S) TO PART ATTRIBUTES, BILL OF MATERIAL, OR ASSOCIATED SPECIFICATIONS.

**Drawing Authorization**

|          |                          |      |           |
|----------|--------------------------|------|-----------|
| Drafter  | Aishwarya Rajaram Shelar | Date | 21NOV2023 |
| Checker  | Umesh Krushnarao Dagwale | Date | 21NOV2023 |
| Approver | NO APPROVAL REQUIRED     | Date |           |

Document Generated: 22NOV2023 16:28 GMT