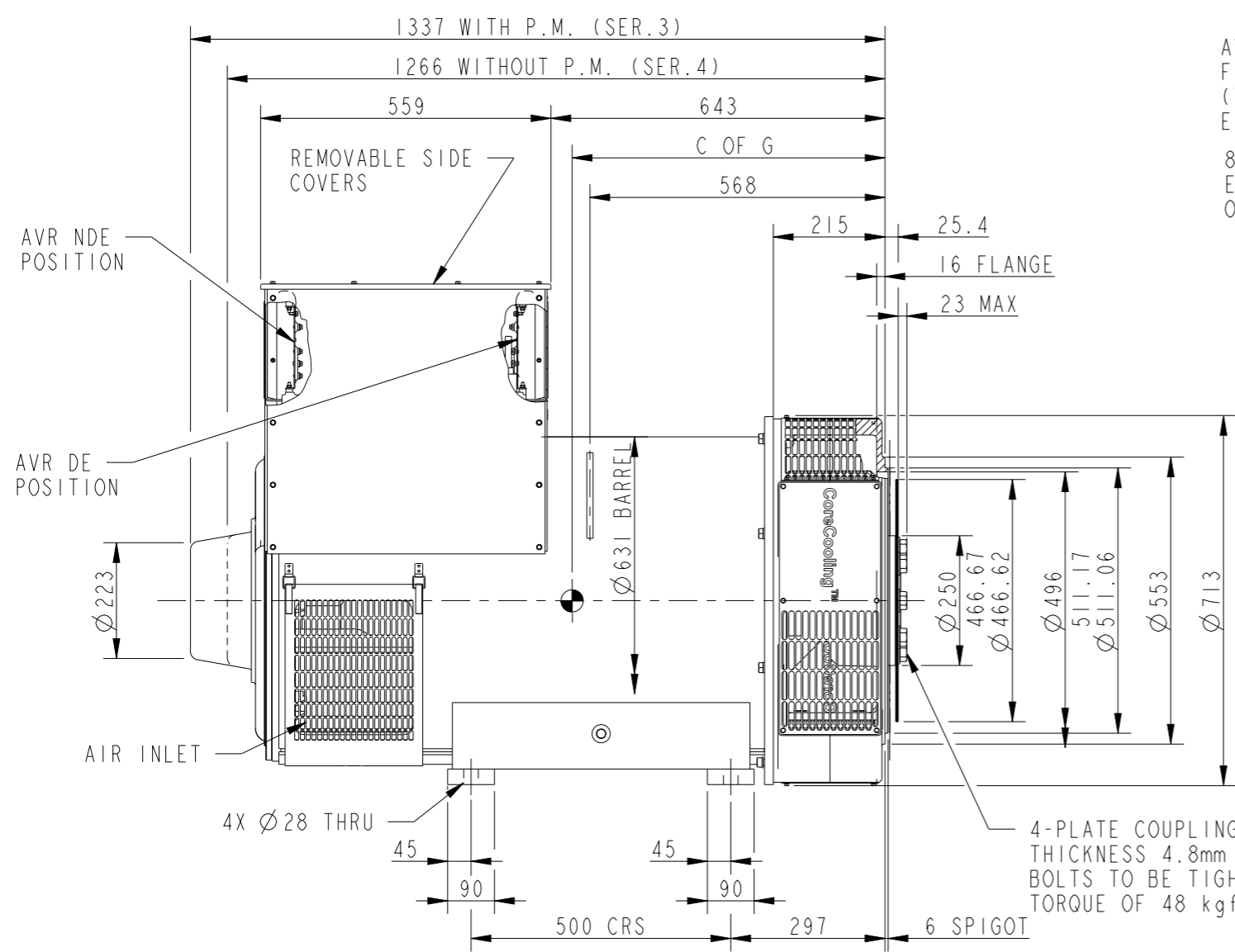


CORE	C OF G	WEIGHT(KG)
C	555	1265
D	575	1395
E	595	1545

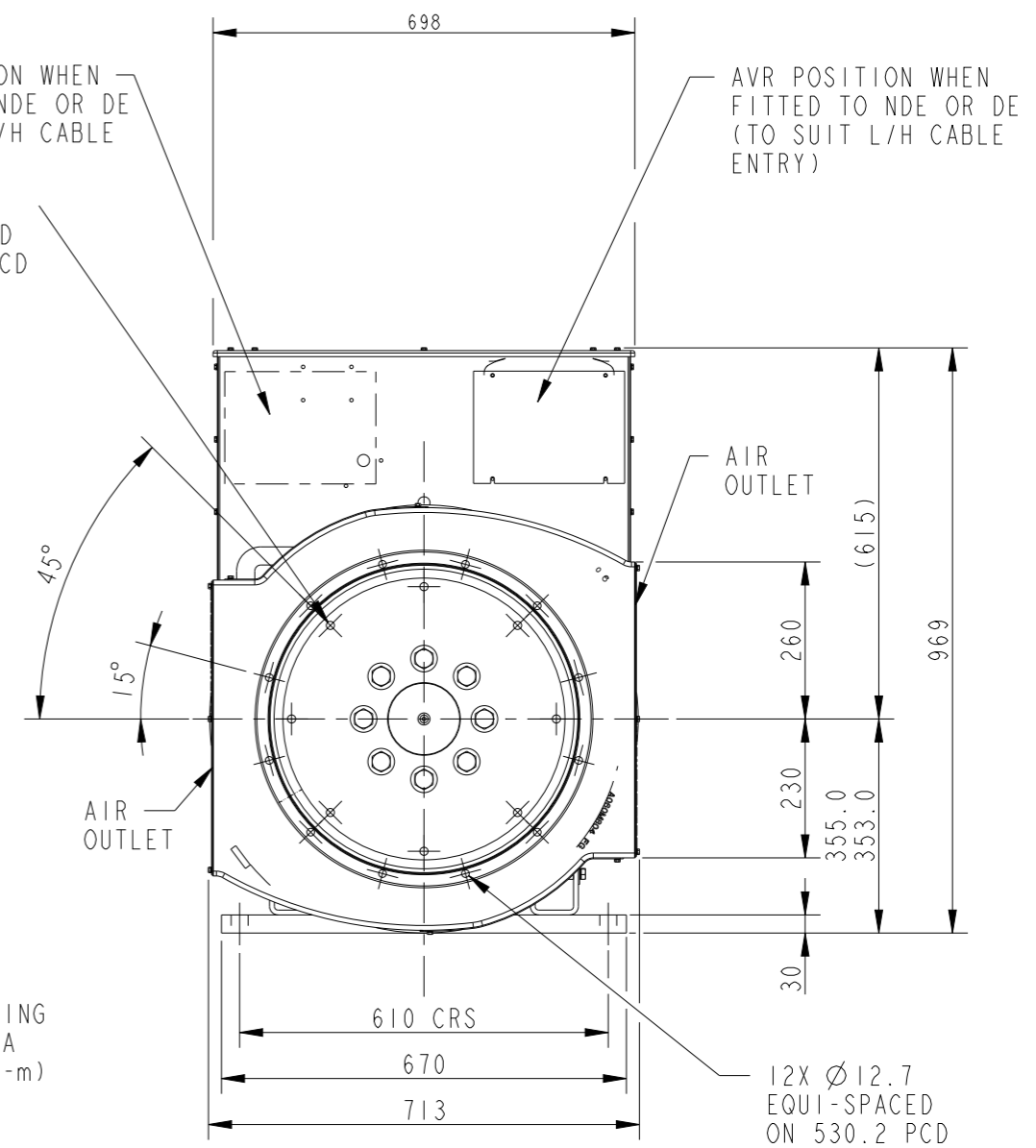
REL NO	REV	NO	REVISION	DWN	CKD	APVD	DATE
ECO-182489	B	1	MINOR AMENDMENTS-SEE ECO	TVK	DGL	K.WEJRZANOWSKI	03JAN19

NOTE:

1. CUSTOMER MAY CUT CABLE ENTRY HOLES AS REQUIRED IN ANY OF THE FOUR TERMINAL BOX SIDES SUBJECT TO POSITION OF AVR, TERMINAL, ETC.



AVR POSITION WHEN FITTED TO NDE OR DE (TO SUIT R/H CABLE ENTRY)
8X Ø 13.5
EQUI-SPACED
ON 438.1 PCD



UNLESS OTHERWISE SPECIFIED, ALL DIMENSIONS ARE IN MILLIMETERS	SIM TO 52-4651	DWN S.UGALE		CUMMINS GENERATOR TECHNOLOGIES	
	DO NOT SCALE PRINT	CKD D.LEE		DRAWING, GENERAL ASSEMBLY	
SCALE 1:8		APVD K.WEJRZANOWSKI	SITE CODE	S5L1D C/D/E 1B SAE1-14 STD FOOT & T/BOX	
THIS DOCUMENT (AND THE INFORMATION SHOWN THEREON) IS CONFIDENTIAL AND PROPRIETARY AND SHALL NOT BE DISCLOSED TO OTHERS IN HARD COPY OR ELECTRONIC FORM, REPRODUCED BY ANY MEANS, OR USED FOR ANY PURPOSE WITHOUT WRITTEN CONSENT OF CUMMINS INC.	FOR INTERPRETATION OF DIMENSIONING AND TOLERANCING, SEE ASME Y14.5-2009	DATE 21AUG18		FIRST USED ON S5	STA
					CAD SHEET 1 of 1