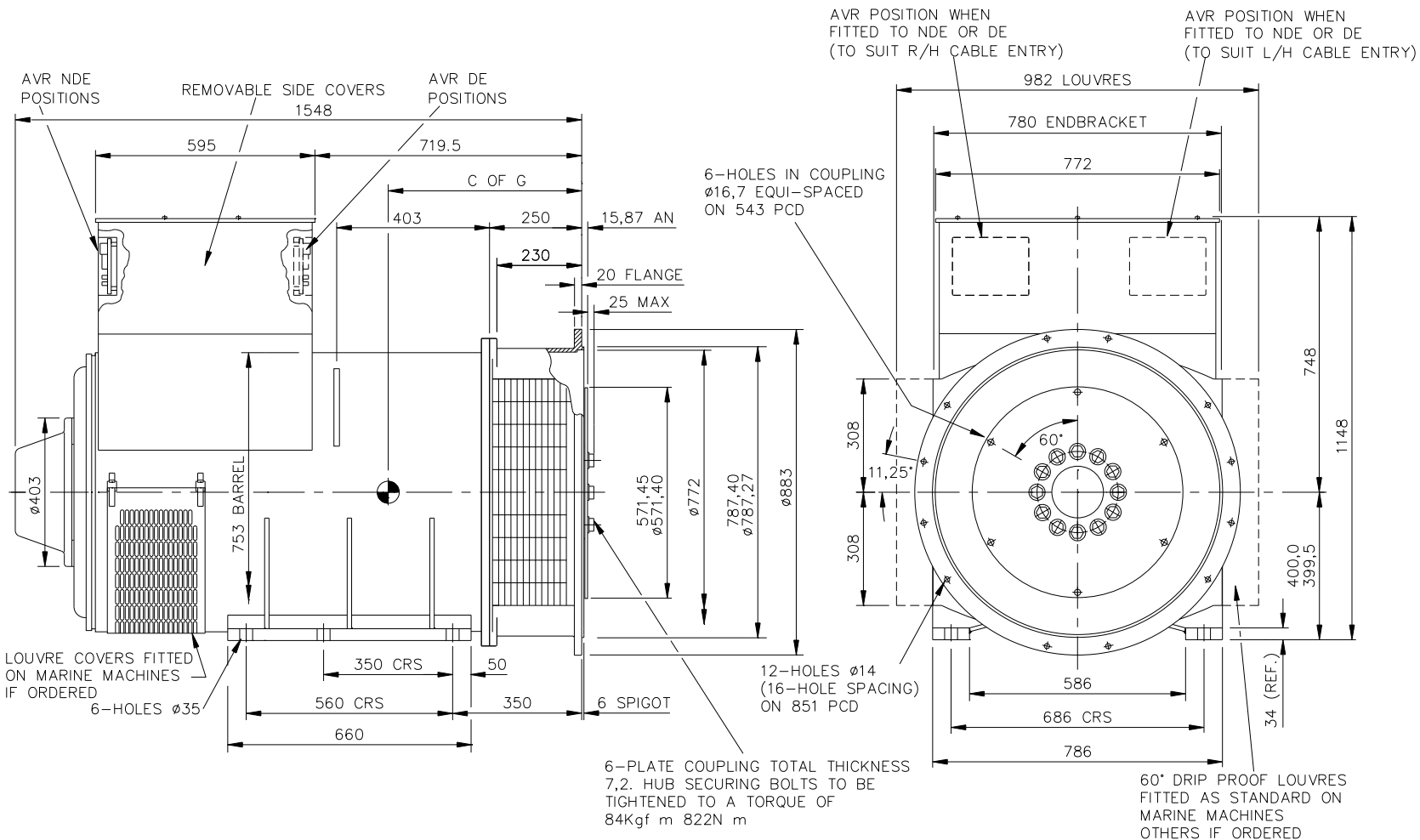


CORE	4-POLE	6-POLE
G	680	640
H	690	670
J	705	685
K		705

REL NO	REV	DETAILS	DWN	CKD	APVD	DATE
ECO-130107	F	AVR VIEWS & NOTES UPDATED	SVB	APM	SMH	15NOV12



NOTE: -
CUSTOMER MAY CUT CABLE ENTRY HOLES AS REQUIRED IN ANY OF THE FOUR TERMINAL BOX SIDES SUBJECT TO POSITION OF AVR, TERMINALS ETC.

UNLESS SPECIFIED ALL DIMENSIONS ARE IN MILLIMETERS			CUMMINS GENERATOR TECHNOLOGIES	
DO NOT SCALE PRINT	DRAWN AJB		DRAWING, GENERAL ASSEMBLY	
	CHECKED AJB		HC/CG6 GHJK 1-BRG SAE00/18 GA	
CONFIDENTIAL	APPROVED CR	SITE CODE	STA	DWC SIZE A4
PROPERTY OF CUMMINS GENERATOR TECHNOLOGIES	DATE 04OCT00			
	SCALE 1:10	FIRST USED ON	66-2024	
