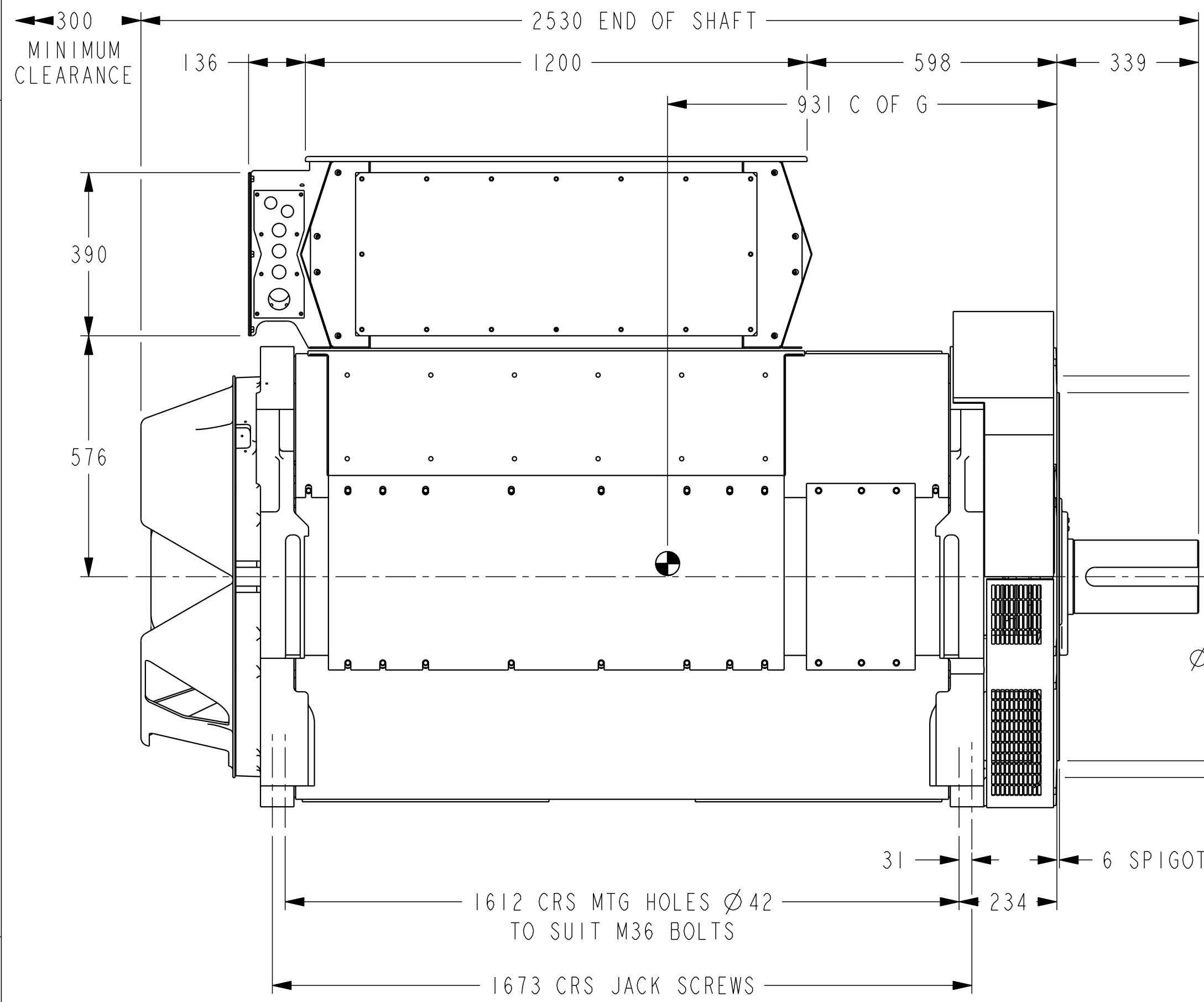
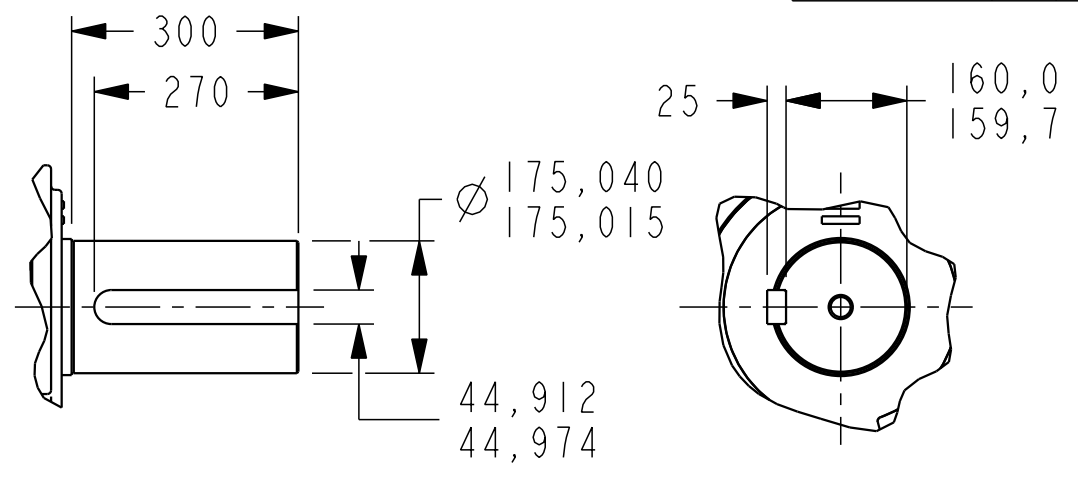
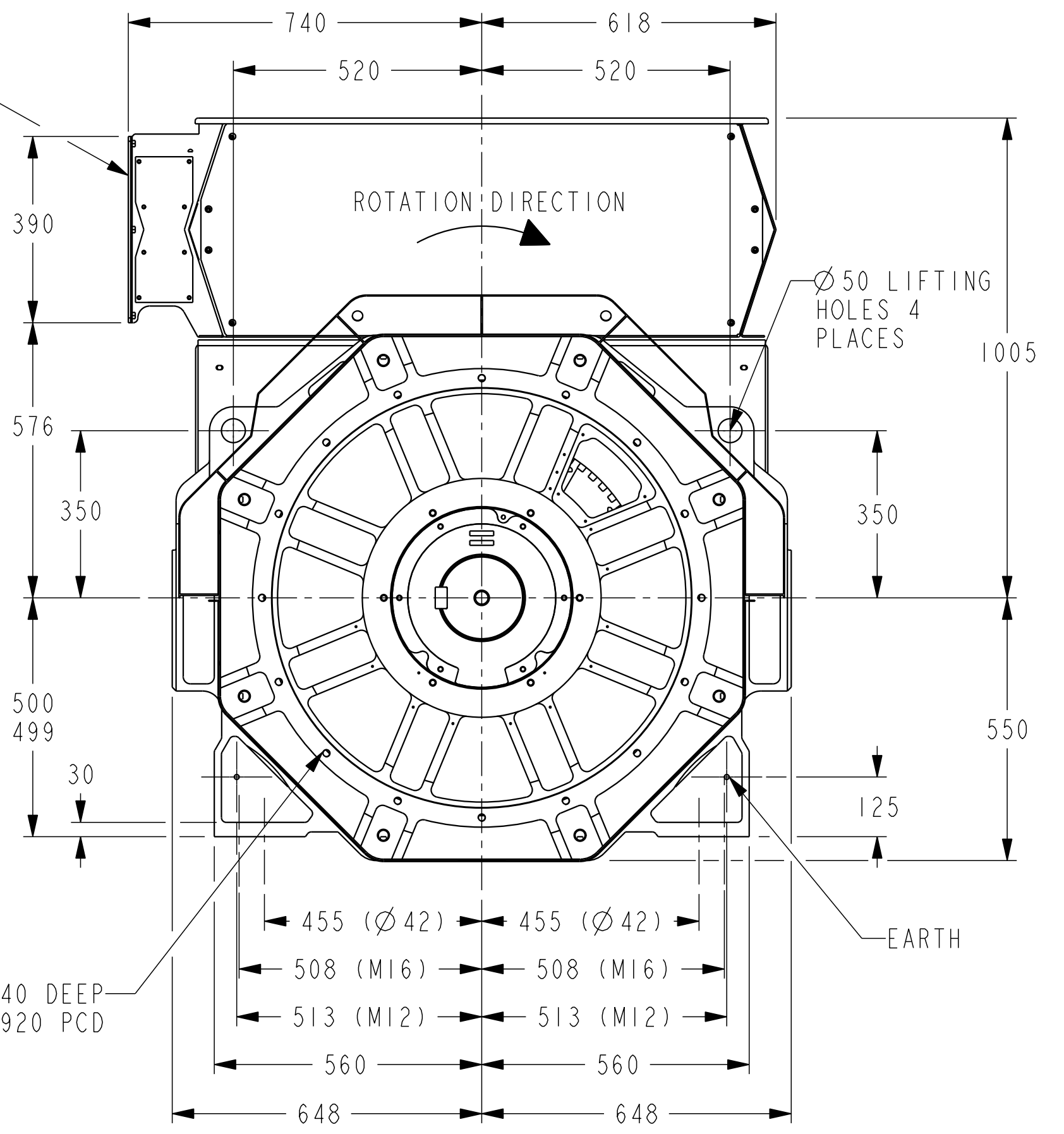


REL NO	REV	DETAIL	DWN	CKD	APVD	DATE
ECO-141770	A	PRODUCTION RELEASE	AS	AGS	SMH	25FEB14



2 BEARING DETAIL SCALE 1:10

5MM THK ALUMINIUM GLAND PLATE



NOMINAL WEIGHT BASED ON CAD MODEL 8011KG NOT FOR INSPECTION

UNLESS OTHERWISE SPECIFIED, ALL DIMENSIONS ARE IN MILLIMETERS

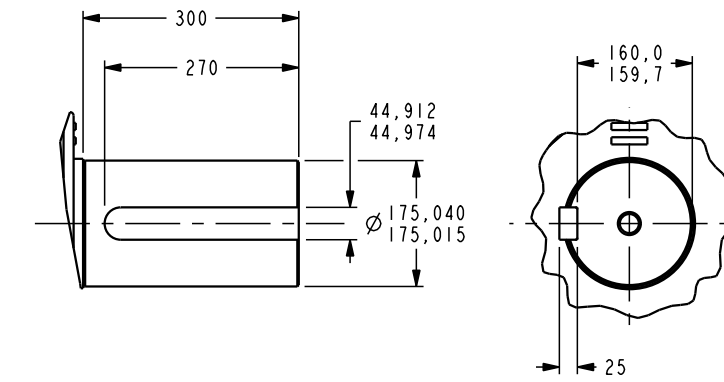
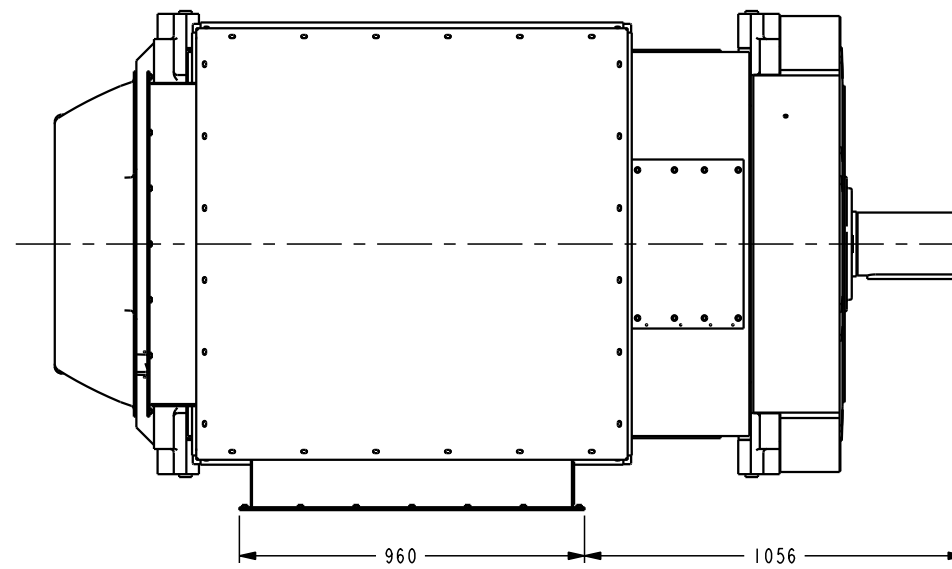
DIM	TOL	NOTE
X	± 0.25	0.00 - 4.99 +0.15/-0.08
X.X	± 0.1	5.00 - 9.99 +0.20/-0.10
X.XX	± 0.01	10.00 - 17.49 +0.25/-0.13
X.XXX	± 0.01	17.50 - 24.99 +0.30/-0.13

ANG TOL ± 0.5° SCALE: 1:10

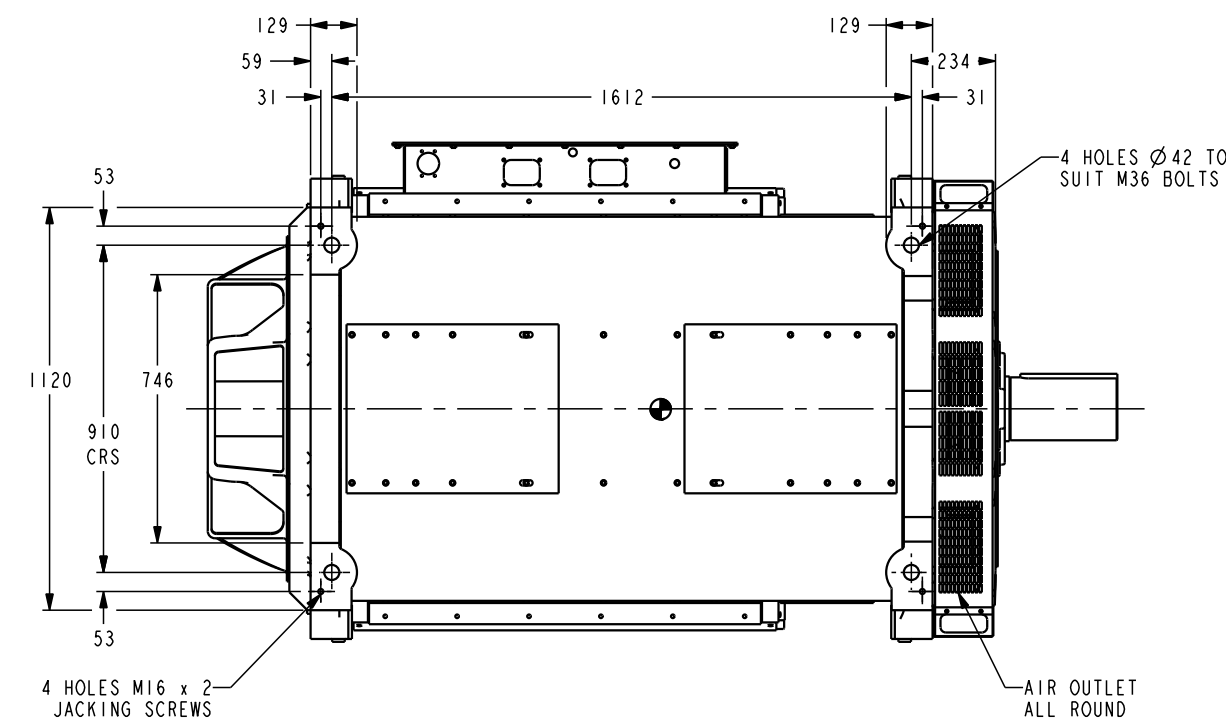
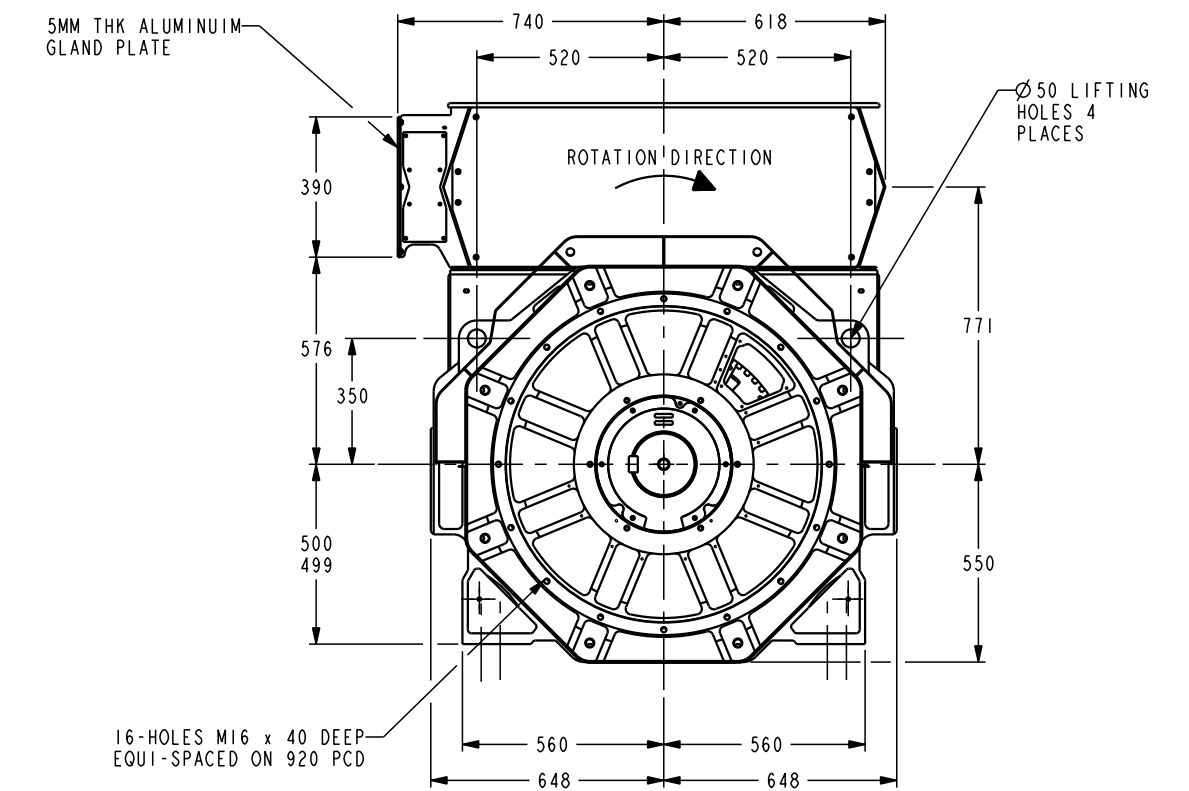
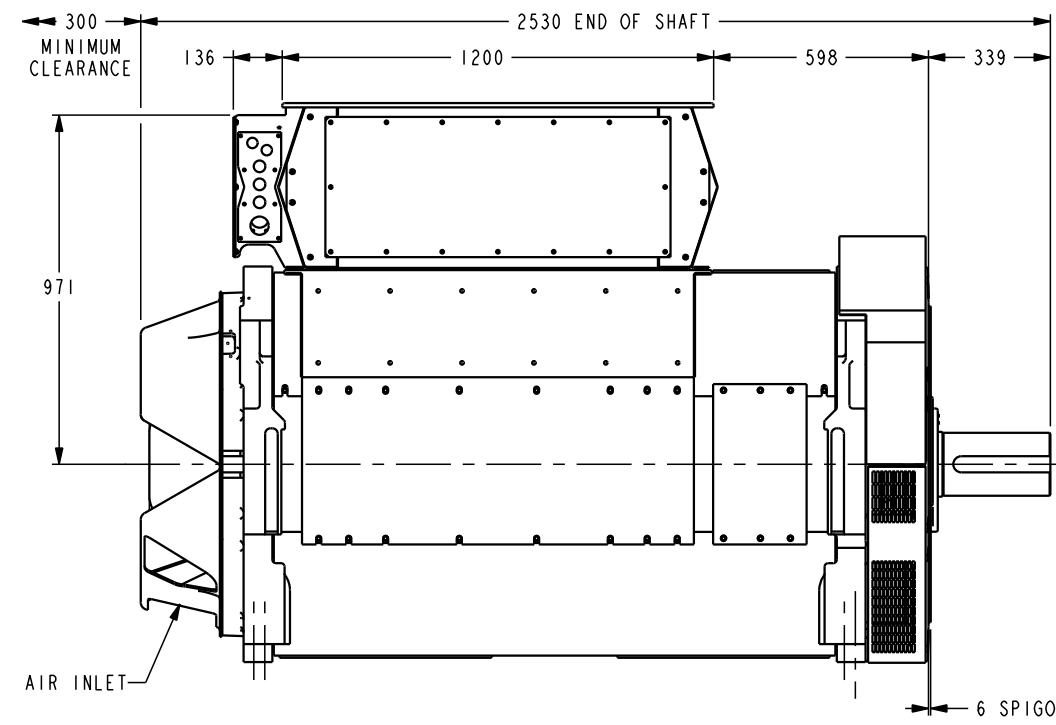
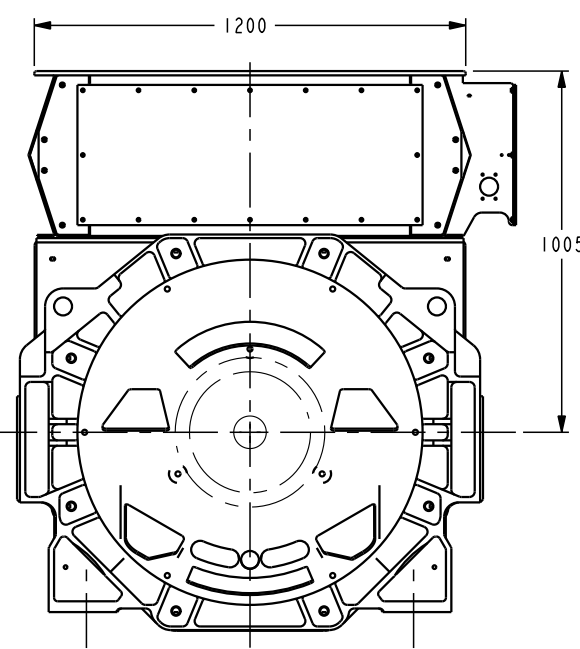
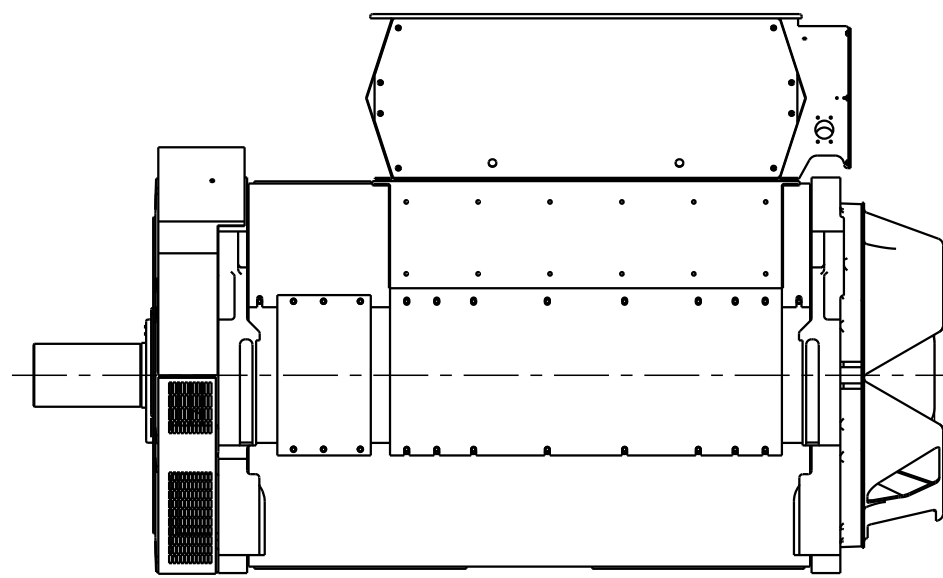
SIM TO	DWN AS
<b>DO NOT SCALE PRINT</b>	CKD AGS
	APVD SMH
<b>- CONFIDENTIAL -</b>	DATE 25FEB14
PROPERTY OF CUMMINS GENERATOR TECHNOLOGIES	FIRST USED ON N/A
FOR INTERPRETATION OF DIMENSIONING AND TOLERANCING, SEE ASME Y14.5M-1994	SITE CODE STA

<b>CUMMINS GENERATOR TECHNOLOGIES</b>	
DRAWING, GENERAL ASSEMBLY	
P80 MV X CORE / INTEGRATED FOOT	
DWG SIZE A2	SHEET 1
A049D909	REV A

REV NO	REV	DETAIL	SMH CDD	APVD	DATE
ECO-141770	A	PRODUCTION RELEASE	AS JAGS	SMH	25FEB14



2 BEARING SHAFT DETAIL  
SCALE 1:5



NOMINAL WEIGHT BASED ON CAD MODEL 8011KG NOT FOR INSPECTION.

UNLESS OTHERWISE SPECIFIED, ALL DIMENSIONS ARE IN MILLIMETERS		SMH AS	AS	CUMMINS GENERATOR TECHNOLOGIES	
± 0.25	0.00 - 4.99 ± 0.15	DO NOT SCALE PRINT	AS	DRAWING: GENERAL ASSEMBLY	
± 0.1	5.00 - 24.99 ± 0.10		SMH	PDD MV & CORE / INTEGRATED FOOT	
± 0.01	25.00 - 49.99 ± 0.05		DATE 25FEB14	SITE CODE	
ANG TOL = 0.5°	50.00 - 24.99 TO 304.0 ± 0.13		PROPERTY OF CUMMINS GENERATOR TECHNOLOGIES	STA	
			DATE 25FEB14	REV	
			SCALE: 1:10	A	
				A049D909	
				2	
				A	